



INSTALLATION INSTRUCTIONS

Product
7160-1319

Revision
Rev.A

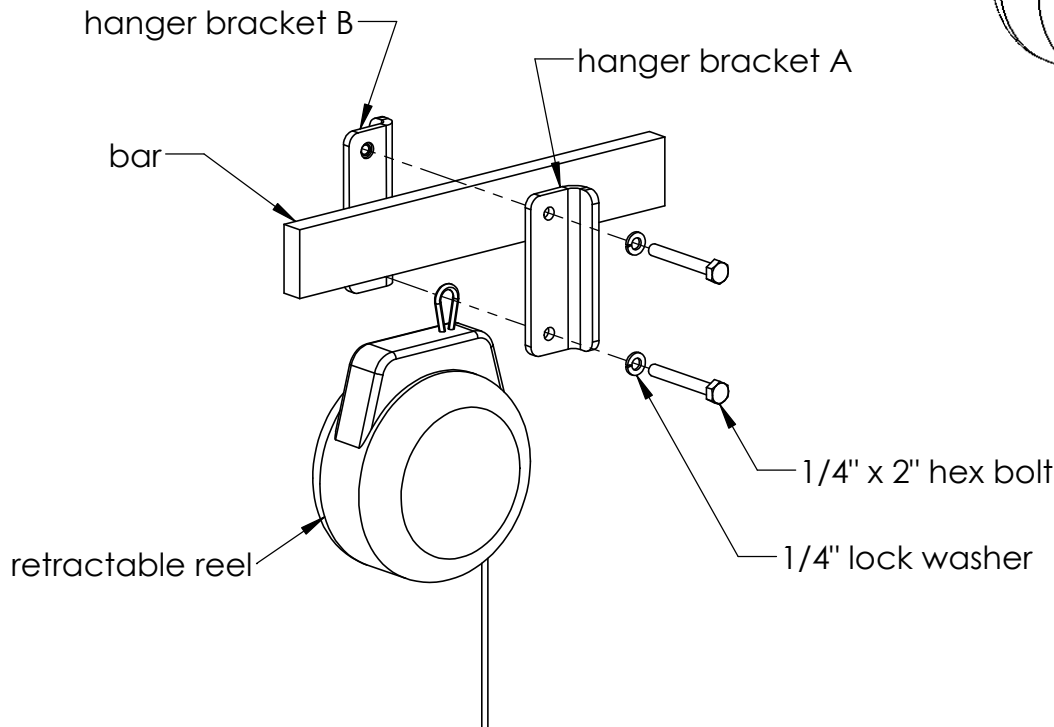
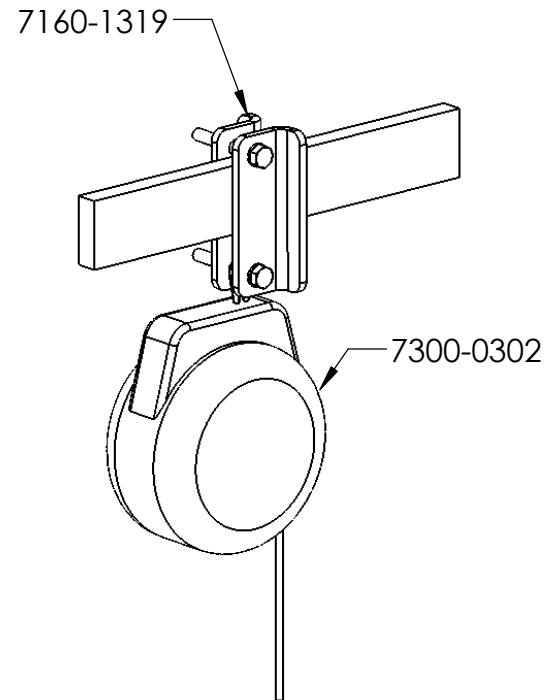
Form
INST-872

RETRACTABLE REEL HANGER

Printing Spec:PS-001

Attaching the mount:

1. The retractable reel hanger attaches to one of the bars on the overhead guard. Attach the hanger along with the retractable reel as shown below with the 1/4" hardware found in hardware bag 7120-0884.
2. The Gamber-Johnson retractable reel (7300-0302) shown below has a max weight limit of 3 Lb.



Product Mounting Disclaimer

Gamber-Johnson is not liable under any theory of contract or tort law for any loss, damage, personal injury, special, incidental or consequential damages for personal injury or other damage of any nature arising directly or indirectly as a result of the improper installation or use of its products in vehicle or any other application. In order to safely install and use Gamber-Johnson products full consideration of vehicle occupants, vehicle systems (i.e., the location of fuel lines, brakes lines, electrical, drive train or other systems), air-bags and other safety equipment is required. Gamber-Johnson specifically disclaims any responsibility for the improper use or installation of its products not consistent with the original vehicle manufactures specifications and recommendations, Gamber-Johnson product instruction sheets, or workmanship standards as endorsed through the Gamber-Johnson Certified Installer Program.

© Copyright 2018 Gamber-Johnson, LLC

If you need assistance or have questions, call Gamber-Johnson at 1-800-456-6868