



INSTALLATION INSTRUCTIONS

Product

7160-2022 - Standard Console
7160-2022-01 - Console with Printer Mount

Revision

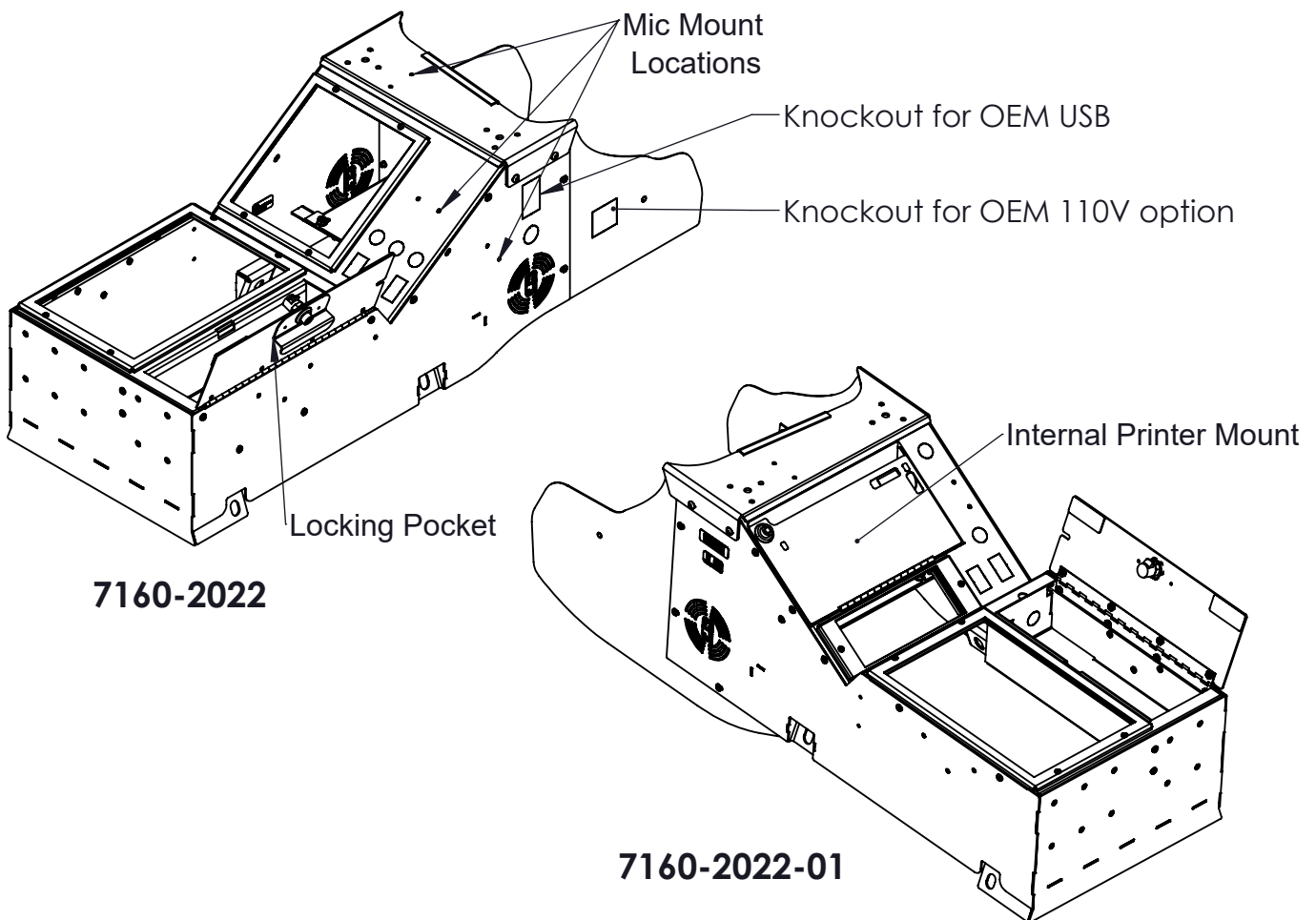
A

Form

INST-1238

2025+ Chevrolet Tahoe Widebody Console

Printing Spec: PS-005



Product Mounting Disclaimer

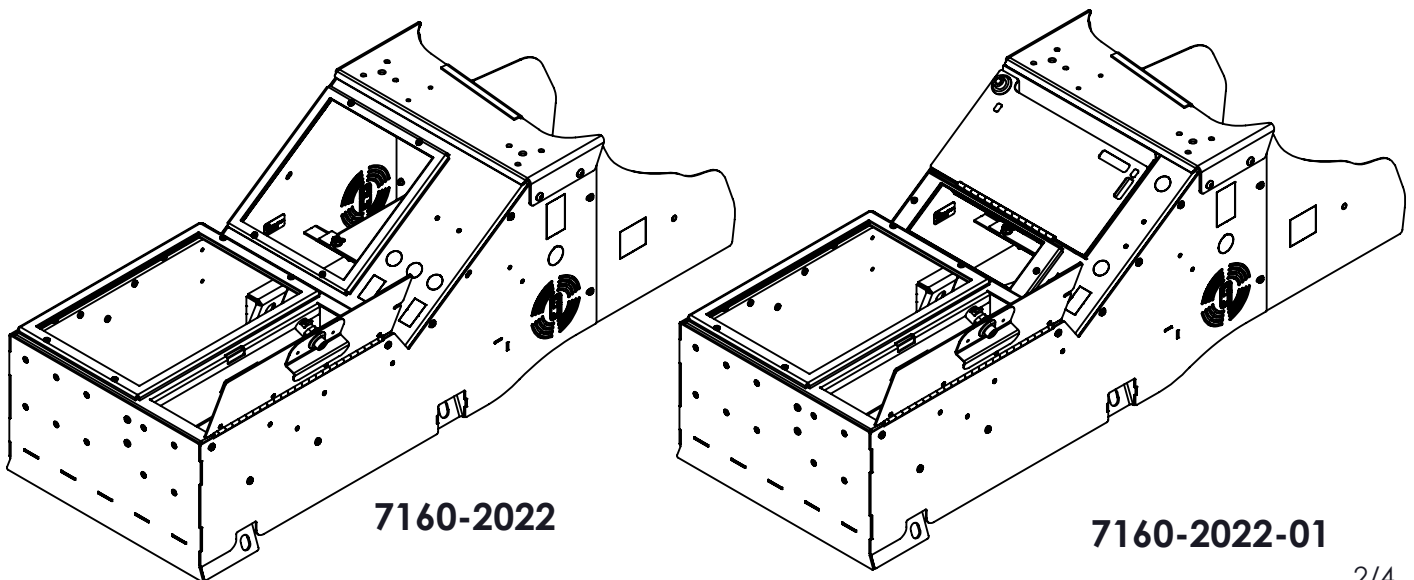
Gamber-Johnson is not liable under any theory of contract or tort law for any loss, damage, personal injury, special, incidental or consequential damages for personal injury or other damage of any nature arising directly or indirectly as a result of the improper installation or use of its products in vehicle or any other application. In order to safely install and use Gamber-Johnson products full consideration of vehicle occupants, vehicle systems (i.e., the location of fuel lines, brake lines, electrical, drive train or other systems), air-bags and other safety equipment is required. Gamber-Johnson specifically disclaims any responsibility for the improper use or installation of its products not consistent with original vehicle manufactures specifications and recommendations, Gamber-Johnson product instruction sheets, or workmanship standards as endorsed through the Gamber-Johnson Certified Installer Program.

© Copyright 2023 Gamber-Johnson, LLC

If you need assistance or have questions, call Gamber-Johnson at 1-800-456-6868



ITEM	QTY	PartNo	DESCRIPTION
1	1	21725	MAIN WELDMENT - 2025+ TAHOE WIDEBODY CONSOLE
2	1	18103	F150 REAR AREA BRACKET
3	1	18104	F150 SLOPED AREA BRACKET
4	1	18116	F150 CONSOLE LID
5	1	18125	F150 REAR OPENING HOLD DOWN FRAME
6	1	18126	F150 SLOPED AREA HOLD DOWN
7	2	14710	1.00 X 2.50 X .062 THK PORON PAD
8	1	17080	HINGE
9	4	12305-0001	1/4-20 x .500 SBHS-NP FS-014
10	12	1122-1006	#10-32 x 0.375 PPHMS FS-014
11	9	12214-0002	#10-32 NUT KEP FS-014
12	8	10796-0001	#8-32 x 0.625 PPHMS FS-014
13	40	9000-0043	DUAL LOCK - .50 WIDE, BLACK, HIGH DENSITY SIDE
14	40	9000-0046	DUAL LOCK - .50 WIDE, BLACK, LOW DENSITY SIDE
15	1	19605	POCKET - 2021 TAHOE WIDEBODY CONSOLE
16	1	21728	TOP PLATE - 2025+ TAHOE WIDEBODY CONSOLE
17	1	21726	COVER WING - 2025+ TAHOE WIDEBODY CONSOLE, DRIVER SIDE
18	1	21727	COVER WING - 2025+ TAHOE WIDEBODY CONSOLE, PASSENGER SIDE
19	1	PL-0002	LABEL - QR CODE INST SHEET
20	1	15378	LABEL - PATENT NUMBER
21	1	11893	LOCK - DIRAK 264-9006
22	6	14500	EDGE TRIM - .18 GAP, BLACK RUBBER
23	1	21292	ELECTRONICS TRAY - 2019+ SILVERADO WIDEBODY CONSOLE
24	1	7120-1147	HARDWARE BAG - 2019+ SILVERADO WIDEBODY CONSOLE
26	1	INST-1238	INSTRUCTION SHEET - 2025+ TAHOE WIDEBODY CONSOLE
27	1	16828	LABEL - GJ and GAMBER-JOHNSON LOGO, 2.25" x 0.75"



Install

1. Remove OEM center console or center seat following instructions provided in the vehicle specific Factory Service Manual (FSM)

*If vehicle is equipped with a center HVAC vent it is recommended that this vent be covered using aluminum flashing tape.

*If vehicle was equipped with center console, additional trim panels may be required to provide the best fit for the Gamber-Johnson console.



FIGURE 1

2. Set the console in place and align 4 mounting holes on the console with OEM seat holes.

*Before installing seat bolts, loosely attach driver and passenger side wings to the console with provided #10 hardware (FIGURE 2).



FIGURE 2

3. The console can be attached to the vehicle with the OEM hardware (FIGURE 3 & FIGURE 4). Torque bolts to OEM specification per FSM.



FIGURE 3



FIGURE 4

4. The driver and passenger side wings can now be adjusted to fit against interior trim panels.



FIGURE 5



FIGURE 6

5. Electronics Tray

- a. The included electronics tray can be populated outside of console installation.
- b. Once ready to install the electronics tray, the #10 hardware holding the angled face of the console must be removed, followed by the angled face itself. (FIGURE 7)
- c. Install the electronics tray on the 4 threaded studs on the interior of the console box.
- d. Secure the electronics tray using the provided 1/4-20 Nyloc nuts. (FIGURE 8)
- e. Reinstall the angled face of the console.

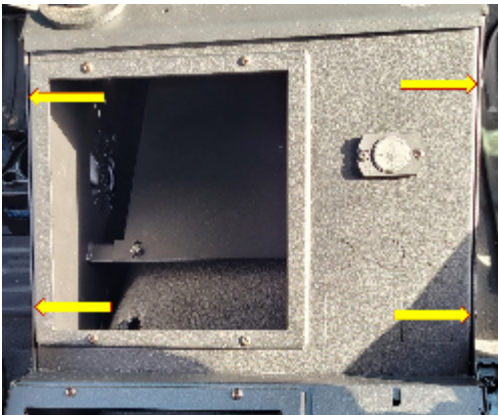


FIGURE 7

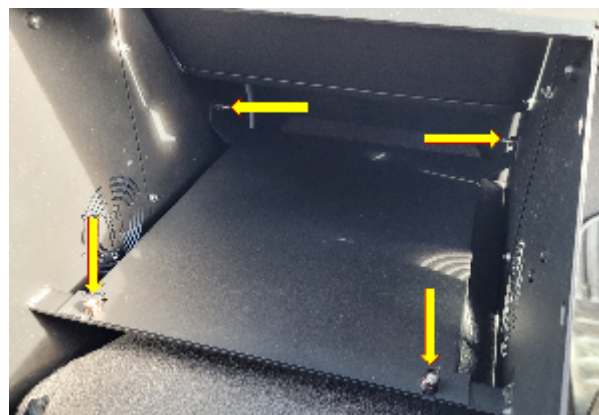


FIGURE 8

6. Console install is complete and it can be outfitted as needed.