



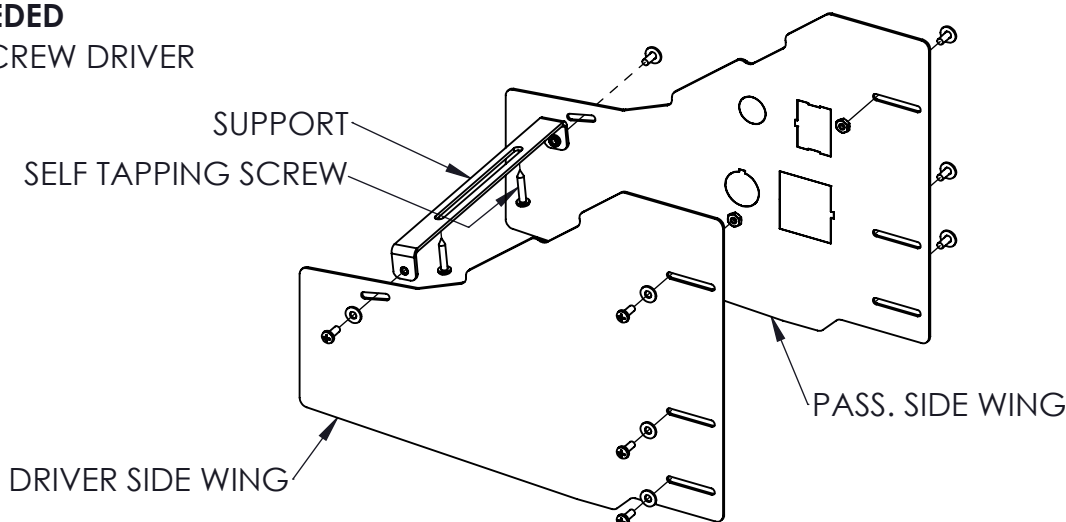
Very Well Connected™

INSTALLATION INSTRUCTIONS

Product 7110-1201 WINGS ASSEMBLY - TAHOE CONSOLE BOX	Revision Rev.A	Form INST-704
Printing Spec: PS-001		

TOOLS NEEDED

PHILLIPS SCREW DRIVER



PARTS LIST

<u>PART NO.</u>	<u>DESCRIPTION</u>	<u>QUANTITY</u>
15416	WINGS, TAHOE 2015+ PASSENGER	1
16014	WINGS, TAHOE 2015+ DRIVER	1
16105	WINGS, TAHOE 2015+ SUPPORT	1
7120-0715	HARDWARE BAG - TAHOE 2015+ WINGS	1
• 1113-1008	• #10-32 X .500 PPHMS	• 8
• 3130-0579	• #10 FLAT WASHER	• 8
• 1503-1000	• #10-32 NUT NYLOK	• 2
• 15303-0001	• #10-16 x 1.00 PPHSMS	• 2

INSTALLATION INSTRUCTIONS

- If knockouts are needed; remove blanks with a plyers and insert components.
- Align the wings and support. If so desired, secure the support to the under part of the dash using the provided self tapping screws.
- Secure the wings to the support and the Tahoe console box using the provided hardware. See figure above.
 - *For older rev consoles, the top wing slot will need a hole drilled into the console. Then use the provided nuts to secure the wings.
 - *For newer rev consoles, throw the two nuts away.

Product Mounting Disclaimer

Gamber-Johnson is not liable under any theory of contract or tort law for any loss, damage, personal injury, special, incidental or consequential damages for personal injury or other damage of any nature arising directly or indirectly as a result of the improper installation or use of its products in vehicle or any other application. In order to safely install and use Gamber-Johnson products full consideration of vehicle occupants, vehicle systems (i.e., the location of fuel lines, brakes lines, electrical, drive train or other systems), air-bags and other safety equipment is required. Gamber-Johnson specifically disclaims any responsibility for the improper use or installation of its products not consistent with the original vehicle manufactures specifications and recommendations, Gamber-Johnson product instruction sheets, or workmanship standards as endorsed through the Gamber-Johnson Certified Installer Program.

© Copyright 2015 Gamber-Johnson, LLC

If you need assistance or have questions, call Gamber-Johnson at 1-800-456-6868