



INSTALLATION INSTRUCTIONS

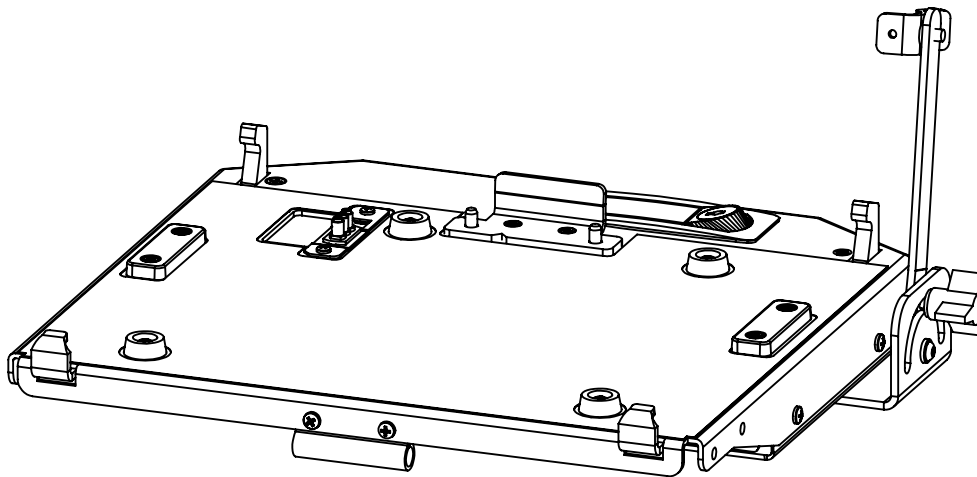
<u>Product</u> 7160-0568 GETAC V110 CRADLE	<u>Revision</u> REV. C	<u>Form</u> INST-645 Printing Spec: PS-001
---	----------------------------------	--

This instruction sheet is for the V110 cradle only. For instructions on features, set-up, and operation of the V110 computer, please refer to the manual provided by Getac with the computer.

This cradle is designed to be used with a variety of Gamber-Johnson mounting systems. Installation instructions for other Gamber-Johnson products are provided with each individual product.

This instruction sheet is for the following products:

Item No. 7160-0568-XX Cradle - Getac - V110



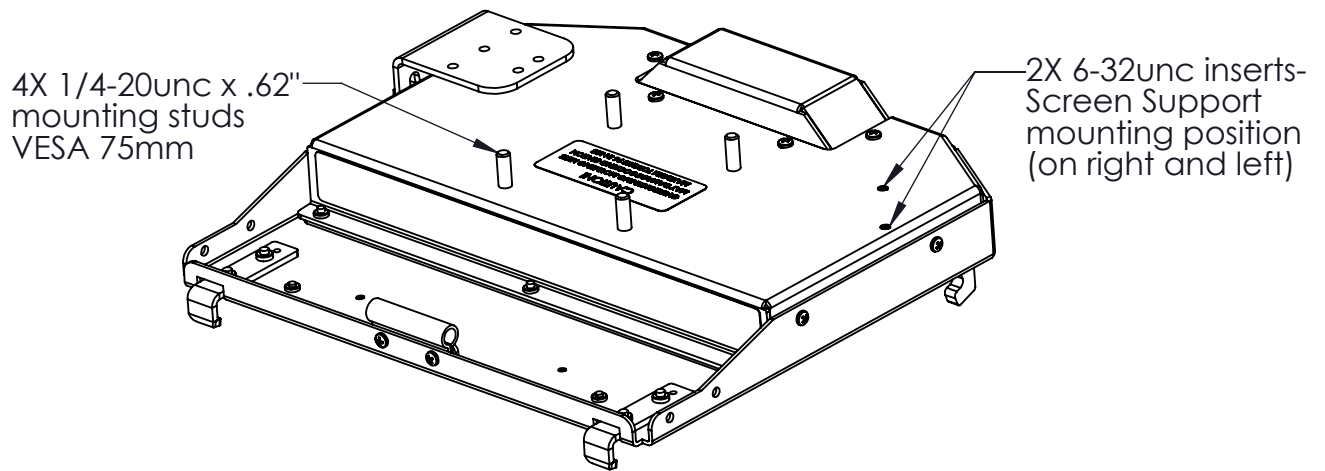
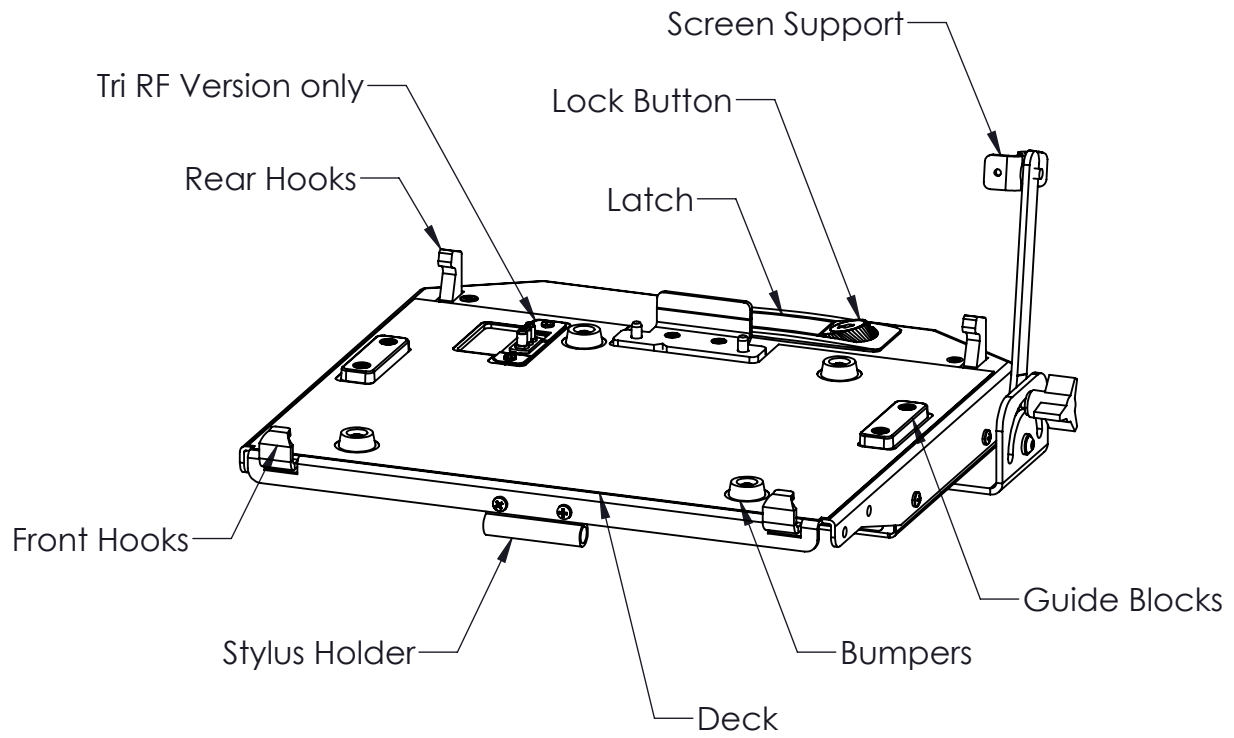
Product Mounting Disclaimer

Gamber-Johnson is not liable under any theory of contract or tort law for any loss, damage, personal injury, special, incidental or consequential damages for personal injury or other damage of any nature arising directly or indirectly as a result of the improper installation or use of its products in vehicle or any other application. In order to safely install and use Gamber-Johnson products full consideration of vehicle occupants, vehicle systems (i.e., the location of fuel lines, brakes lines, electrical, drive train or other systems), air-bags and other safety equipment is required. Gamber-Johnson specifically disclaims any responsibility for the improper use or installation of its products not consistent with the original vehicle manufactures specifications and recommendations, Gamber-Johnson product instruction sheets, or workmanship standards as endorsed through the Gamber-Johnson Certified Installer Program.

© Copyright 2018 Gamber-Johnson, LLC

If you need assistance or have questions, call Gamber-Johnson at 1-800-456-6868

V110 CRADLE FEATURE IDENTIFICATION



INSERTING AND REMOVING THE COMPUTER

INSERTING THE COMPUTER

1. Un-latch the cradle, making sure the rear hooks move backward **(Figure 1)**.
2. With the computer held at an angle, place the two notches on the front edge of the computer into the front hooks. **(Figure 2)**
3. Lower the computer down on to the cradle.
4. While pushing the computer down, to compress the cradle connector, close the latch to engage the rear hooks into the notches on the back edge of the computer. **(Figure 3)**
5. Lock the latch, if required, for security.
6. Adjust the position of the screen support. **(Figure 4)**



Figure 1



Figure 2



Figure 3

REMOVING THE COMPUTER

1. Move screen support back, close display.
2. Unlock latch, if locked.
3. Press the Lock Button on the latch. The latch will spring open and the rear hooks will disengage from the computer case.
4. Lift computer up off cradle, back edge first.



Figure 4