



INSTALLATION INSTRUCTIONS

Product

7170-0822-XX

Revision

B

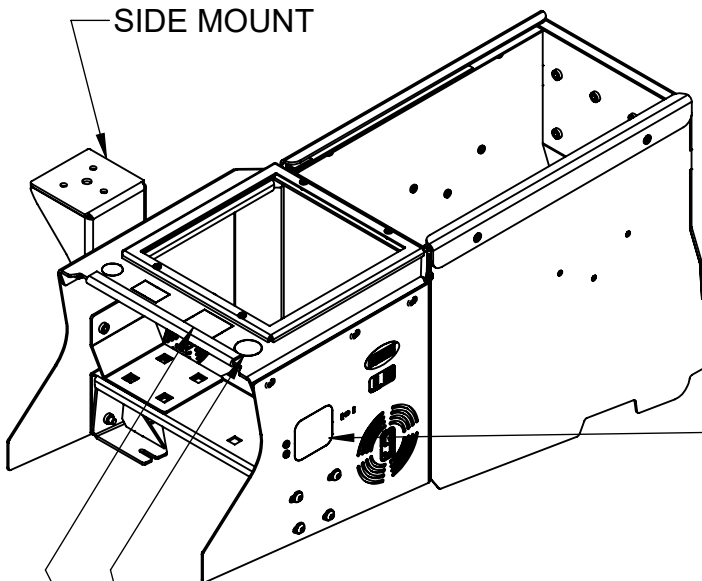
Form

INST-970

CONSOLE KIT - 2020+ FORD PI UTILITY, FULL DEPTH

Printing Spec: PS-001

7170-0822-00 KIT



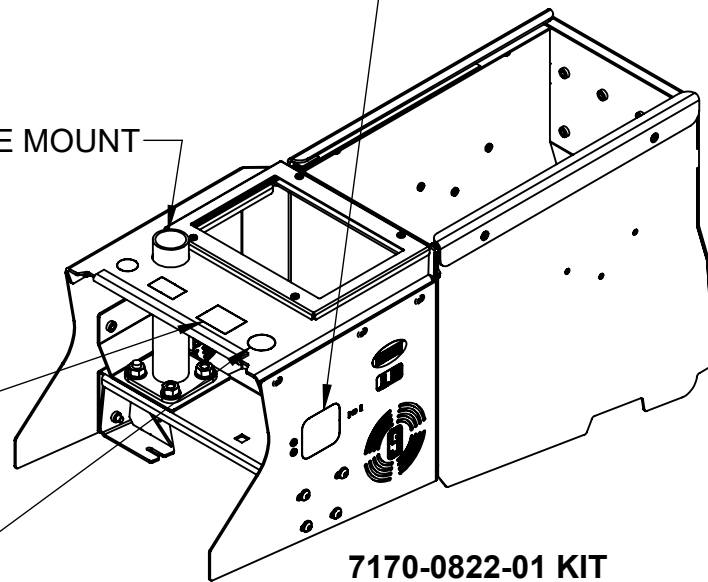
SIDE MOUNT

PARKING BRAKE KNOCKOUT

CENTER POLE MOUNT

OEM USB & 12V
KNOCKOUTS

7170-0822-01 KIT



Product Mounting Disclaimer

Gamber-Johnson is not liable under any theory of contract or tort law for any loss, damage, personal injury, special, incidental or consequential damages for personal injury or other damage of any nature arising directly or indirectly as a result of the improper installation or use of its products in vehicle or any other application. In order to safely install and use Gamber-Johnson products full consideration of vehicle occupants, vehicle systems (i.e., the location of fuel lines, brake lines, electrical, drive train or other systems), air-bags and other safety equipment is required. Gamber-Johnson specifically disclaims any responsibility for the improper use or installation of its products not consistent with original vehicle manufactures specifications and recommendations, Gamber-Johnson product instruction sheets, or workmanship standards as endorsed through the Gamber-Johnson Certified Installer Program.

© Copyright 2023 Gamber-Johnson, LLC

If you need assistance or have questions, call Gamber-Johnson at 1-800-456-6868

Installation:

1. Remove the OEM tunnel plate using a 10MM socket. The rear nuts must be removed while the front nuts need only be loosened as the OEM plate is slotted in front. (Fig. 1)

2. Remove the 7mm fasteners on either side of the lower dash trim. Carefully pull the lower dash trim assembly rearward and remove the OEM 12V, USB, & E-Brake modules (T-20 fasteners). (Fig. 2)

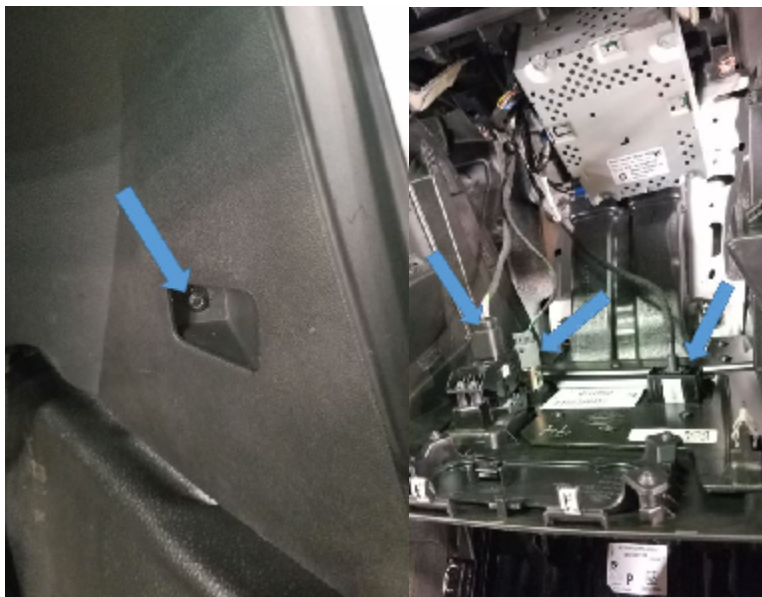


Fig. 2

3. Reinstall the lower dash trim and ensure the 12V, USB, and E-Brake wiring harnesses are accessible through the openings in the trim.

4. Slide the front mounting legs under OEM studs from the sides. **Ensure that the mounting legs are below the plastic tabs on the duct as shown.**

Set the spacing so that the outside faces are about $11\frac{1}{8}$ inches apart and finger-tighten the front OEM nuts to partially secure front legs while allowing adjustability in later steps.

(Fig. 3)



Fig. 1

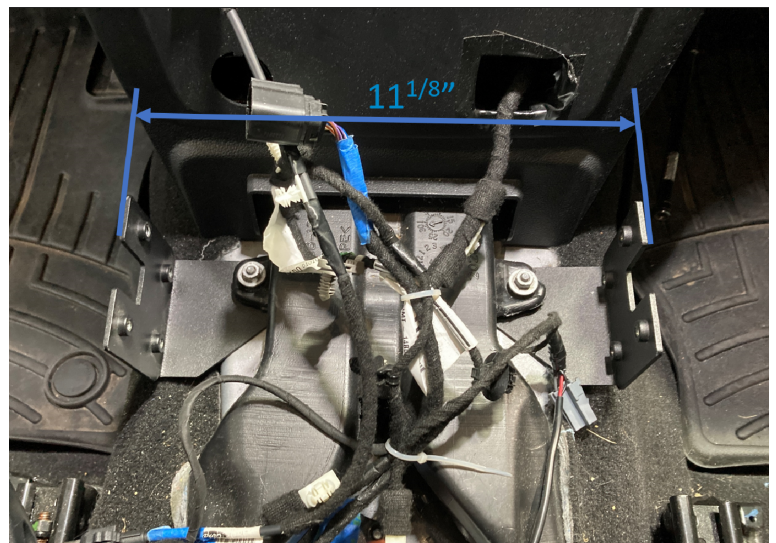


Fig. 3

5. With the front mounting legs in place, drop in the main console body, ensuring that the slots in the integrated rear legs align with the rear OEM studs.
(Fig. 4)

Secure the console to the front legs with included 1/4-20 hardware (4 per side).
(Fig. 5)



Fig. 5

6. Adjust fore/aft and lateral fit of console as desired, then fully tighten front and rear OEM nuts. A low-profile ratchet or similar tool may be required to secure the front nuts.

7. To install E-Brake in driver's side knockout, first remove parking brake bracket from console (shown in Fig. 6).

Then, install OEM E-Brake module onto bracket with included #8-32 hardware.

Now, reinstall bracket to console, reconnect E-Brake wiring harness and test function before installing top plate.

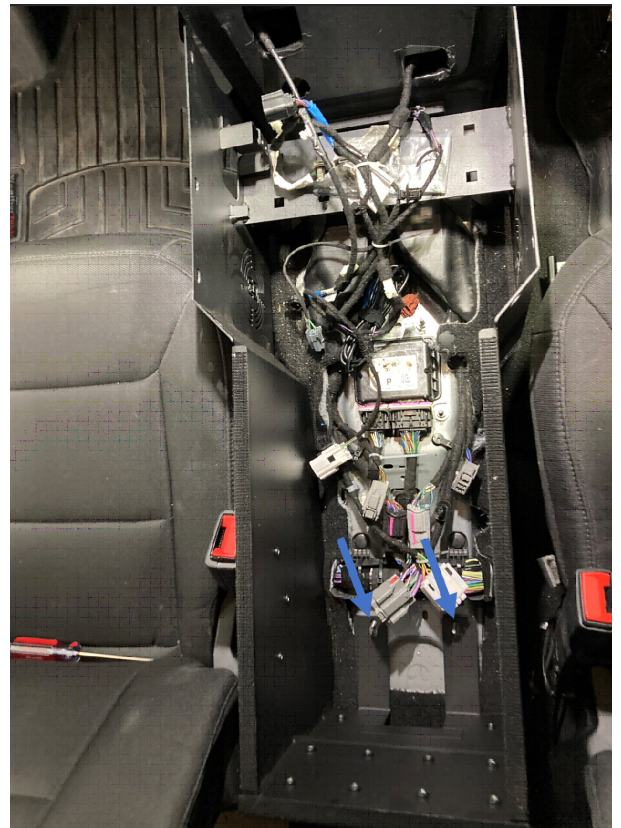


Fig. 4

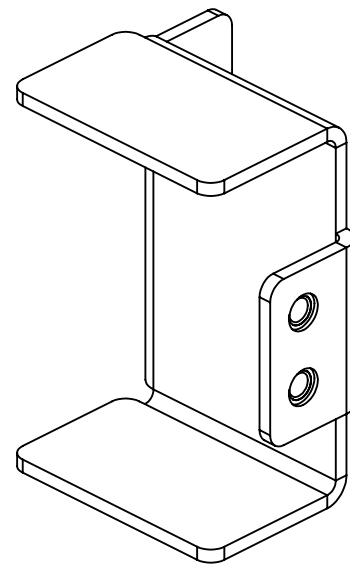
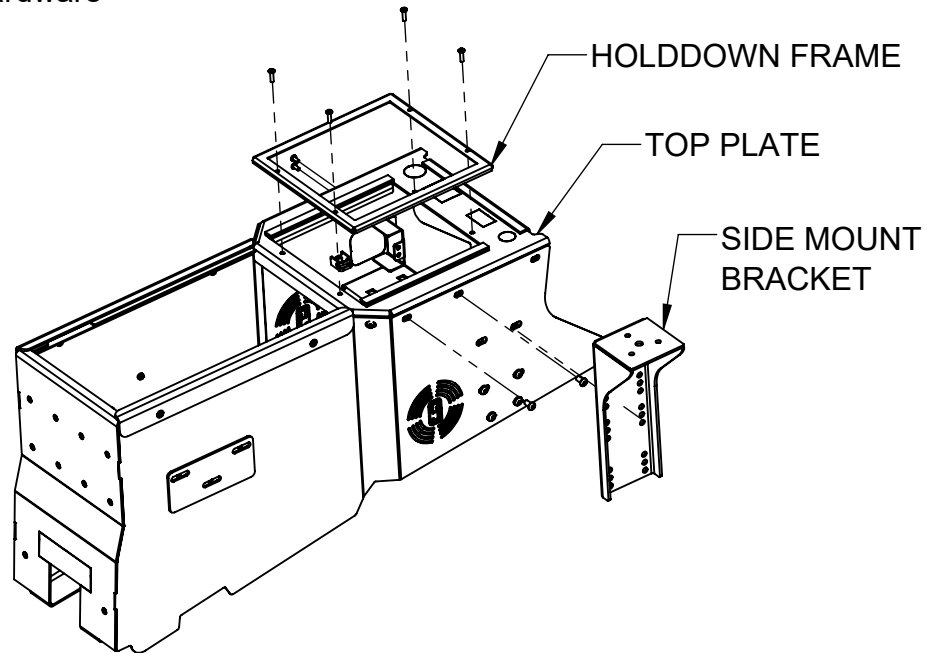


Fig. 6

Side Mount Kit (7170-0822-00)

1. Relocate OEM 12V & USB modules to top plate knockouts if desired & install top plate with included 1/4-20 hardware
2. Install faceplates & equipment as needed, then attach holddown frame with included #8-32 hardware
3. To mount a motion attachment, install the side mount bracket at desired height with included 1/4-20 hardware



Center Mount Kit (7170-0822-01)

1. Install the lower tube to the console center beam with included 3/8-16 hardware
2. Relocate OEM 12V & USB modules to top plate knockouts if desired & install top plate with included 1/4-20 hardware
3. Install faceplates & equipment as needed, then attach holddown frame with included #8-32 hardware
4. To mount a motion attachment, install upper pole into the lower tube

