



INSTALLATION INSTRUCTIONS

<u>Product</u>	<u>Revision</u>	<u>Form</u>
7160-0883 Dell Rugged Laptop Cradle	Rev.E	INST-776
		Printing Spec: PS-001

This instruction sheet is for the Dell Rugged Laptop cradle only. For instructions on features, set-up, and operation of the Dell Rugged computer, please refer to the manual provided by Dell with the computer.

This cradle works with

1. Dell 12" Latitude Rugged Extreme 2-in-1 Laptop
2. Dell 14" Rugged Laptop
3. Dell 14" Rugged Extreme Laptop
4. Dell 14" Rugged Extreme Business Laptop

See page 4 for adjustment instructions.

This instruction sheet is for the following products:

Item No. 7160-0883-00 Cradle - Dell Rugged Laptop - Non-RF

Item No. 7160-0883-03 Cradle - Dell Rugged Laptop - Tri-RF

Gamber Johnson recommends the following power adapter to power the docking station. They can be ordered from Gamber-Johnson separately.

7300-0621 - Automotive (11-16 Vdc Input, 100w USB-C Output) - Available with the docking station as KIT **7170-0966-XX**



Note: Use the hardware provided in the hardware bag for attaching the cradle to the mounting surface.

Product Mounting Disclaimer

Gamber-Johnson is not liable under any theory of contract or tort law for any loss, damage, personal injury, special, incidental or consequential damages for personal injury or other damage of any nature arising directly or indirectly as a result of the improper installation or use of its products in vehicle or any other application. In order to safely install and use Gamber-Johnson products full consideration of vehicle occupants, vehicle systems (i.e., the location of fuel lines, brakes lines, electrical, drive train or other systems), air-bags and other safety equipment is required. Gamber-Johnson specifically disclaims any responsibility for the improper use or installation of its products not consistent with the original vehicle manufactures specifications and recommendations, Gamber-Johnson product instruction sheets, or workmanship standards as endorsed through the Gamber-Johnson Certified Installer Program.

© copyright 2021 Gamber-Johnson, LLC

If you need assistance or have questions, call Gamber-Johnson at 715-344-3482

PRE-INSTALLATION RECOMMENDATIONS

Conduct a "Bench Test"

Gamber-Johnson strongly advises a "bench test" be conducted to verify all electronic and software issues are resolved prior to installation:

1. Make sure the computer is operational by itself.
2. Insert computer into the cradle and verify that the computer is operating in the dock.
3. Interconnect entire assembly and verify start-up of all components, including other equipment (printers, modems, scanners, etc.)

Gamber-Johnson recommends positioning of all mounts and equipment in the vehicle prior to the actual install to verify that mounting locations are safe and practical.

IMPORTANT SAFETY INFORMATION FOR INSTALLERS

Safety is dependent on the proper installation and servicing of this cradle. It is important to read and follow all instructions before installing this product.

To properly install a Gamber-Johnson cradle you must have a good understanding of automotive electrical procedures and systems, along with proficiency in the installation and service of aftermarket vehicle equipment.

There are no adjustments required at any time of the electrical components within the cradle. **Opening the cradle will void the product warranty.**

During Installation:

DO NOT connect this cradle to the vehicle battery until:

1. All other electrical connections are made
2. Mounting of all components is complete
3. Verification that no shorts exist in the entire system

DO NOT install equipment or route wiring or cords in the deployment path of any air bag.

When drilling into the vehicle, DO make sure that both sides of the surface are clear of anything that could be damaged.

CAUTION: *If wiring is shorted to the frame, high current conductors can cause hazardous sparks resulting in electrical fires or flying molten metal.*

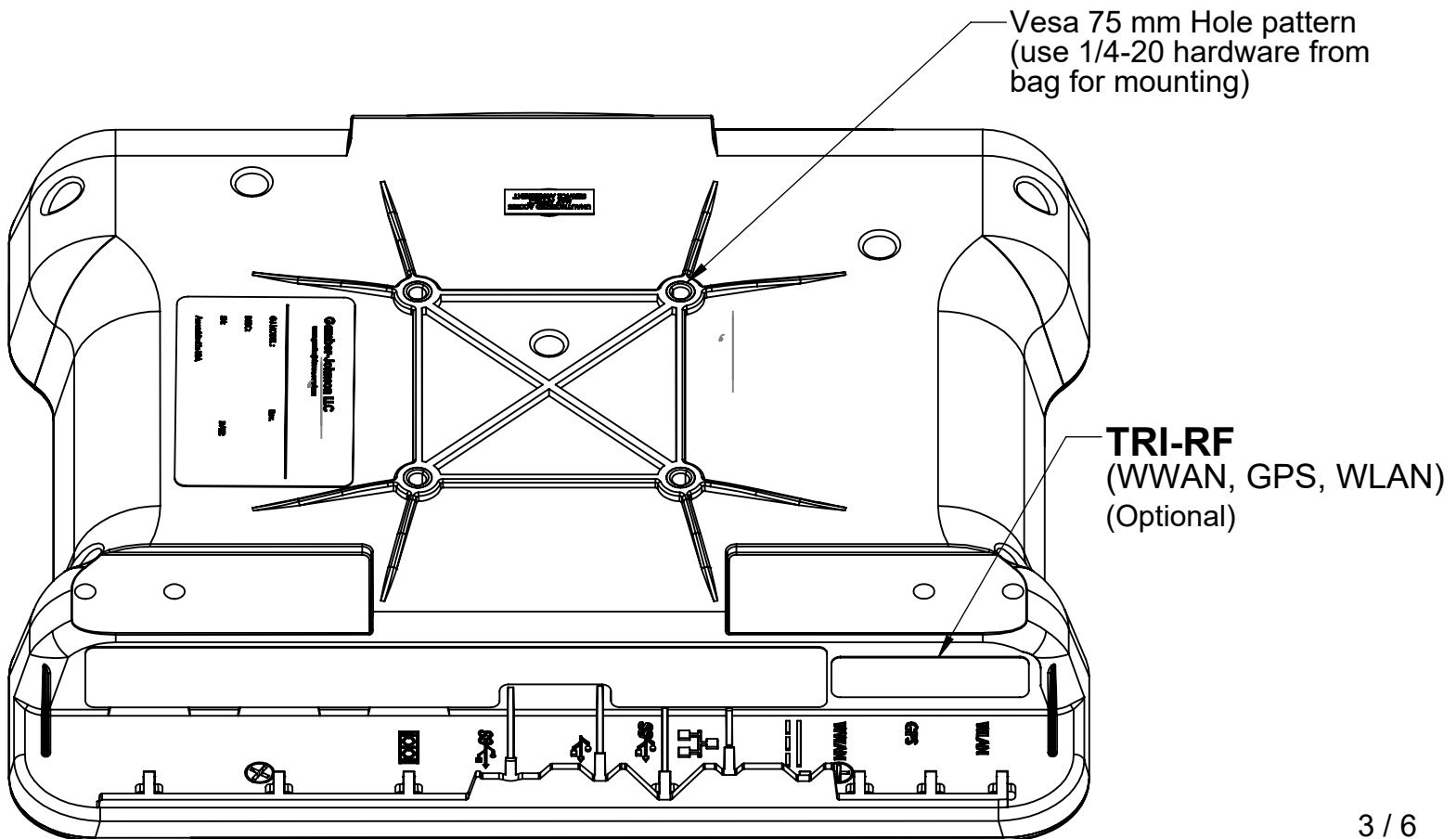
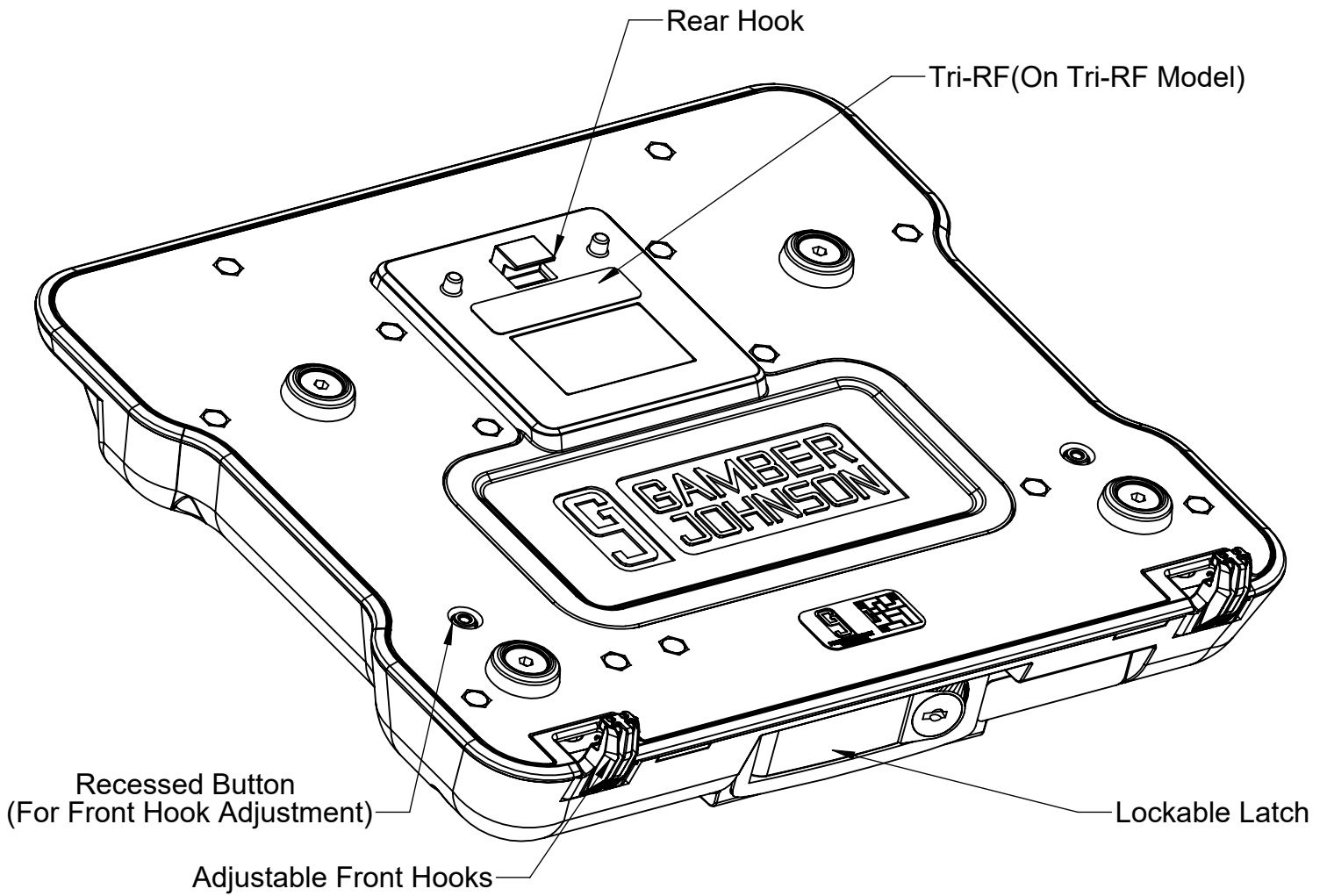
After installation:

Test the cradle to ensure that it is working properly.

File these instructions in a safe place and refer to them when performing maintenance or re-installing.

WARNING: *Failure to follow all safety precautions and instructions may result in property damage, serious injury, or death.*

DELL RUGGED CRADLE FEATURE IDENTIFICATION



DELL RUGGED DOCKING STATION ADJUSTABILITY

Latitude 5430 & 7330
14" Rugged and
Rugged Extreme
Laptop
Hook Setting 1



1. Press & hold
recessed button down
(Use a pen, pencil, or
any pointed tool)

2. Move hooks to
appropriate location (1-5)

3. Release button

Note: Verify button pops back
up after being pressed

Latitude 7214
12" Rugged Extreme Convertible Laptop
Hook Setting 2



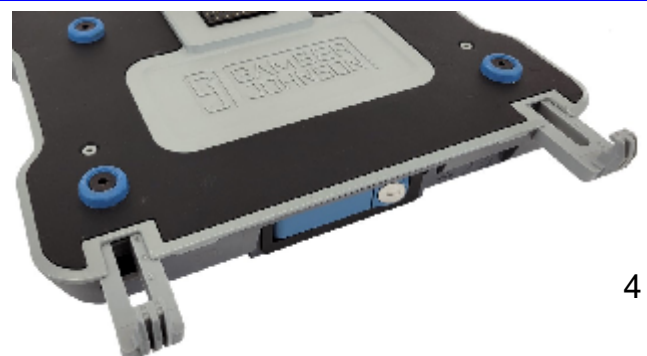
Latitude 5404, 5414, 5420, 5424, 7204
14" Rugged Laptops
Hook Setting 3



Latitude 7424
14" Rugged Extreme Laptop
Hook Setting 4



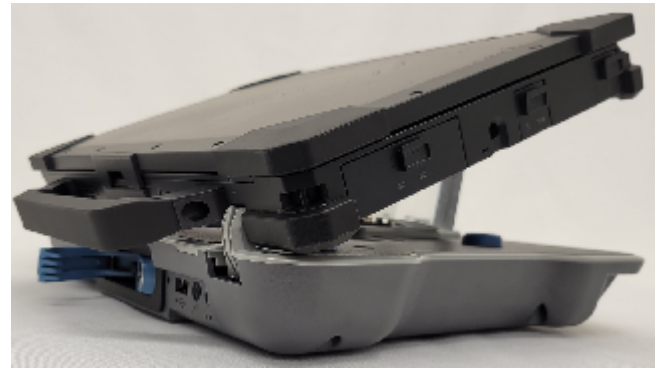
Latitude 7404, 7414
14" Rugged Extreme Business Laptops
Hook Setting 5



DOCKING THE COMPUTER

To Dock The Computer:

1. Ensure the Dell Cradle front hooks are set at the correct position for your device (See Page 4)
2. If the cradle is in the closed position, push the lock button to open the latch.
3. Holding the computer at an angle, line up the Laptop Front Pockets with the Cradle's Front Hooks.
4. Lower the back of the laptop down onto the cradle.
5. **Lightly press down on the back of the laptop (center) to ensure it is fully seated** while closing the latch.
6. The rear hook will engage the back of the computer to hold it in place.



To Undock The Computer:

1. Firmly press the Lock Button on the front Blue Latch, the Latch will spring open.
****IF NEEDED** Lightly press down on the center back of the computer** and the rear hook will retract from the laptop.
2. Lift the back of the laptop off the cradle.
3. Pull the front of the laptop out from under the front hooks.

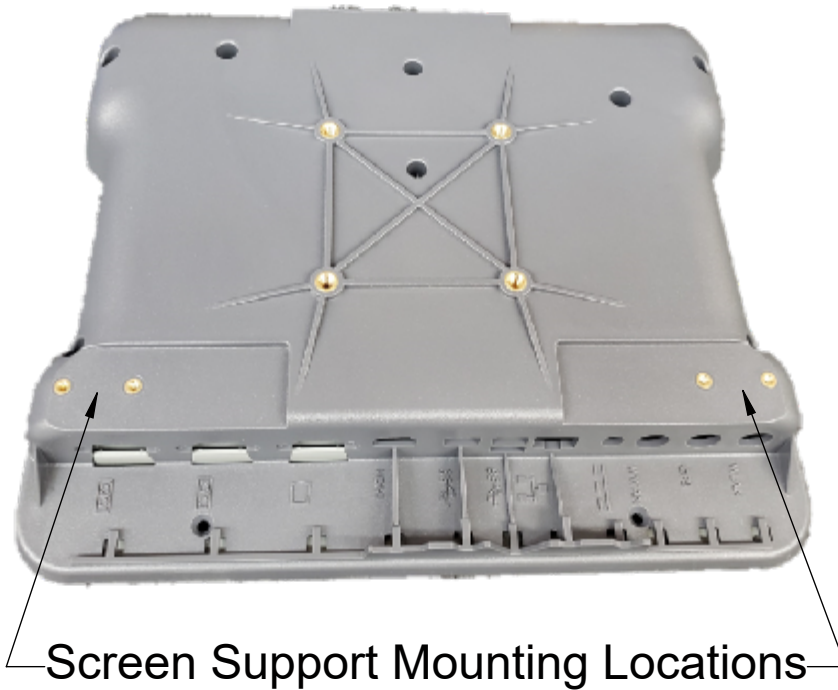


Screen Support Installation

Screen supports are recommended on all laptop dock/cradles in high-vibration environments.

Screen support can be purchased from www.GamberJohnson.com

Part Number: 7110-1213



Use #6-32 screws from screen support hardware bag to attach screen support to the left or right mounting location, do not over-torque screws.

Reccomended torque is 8-11 in/lbs.

