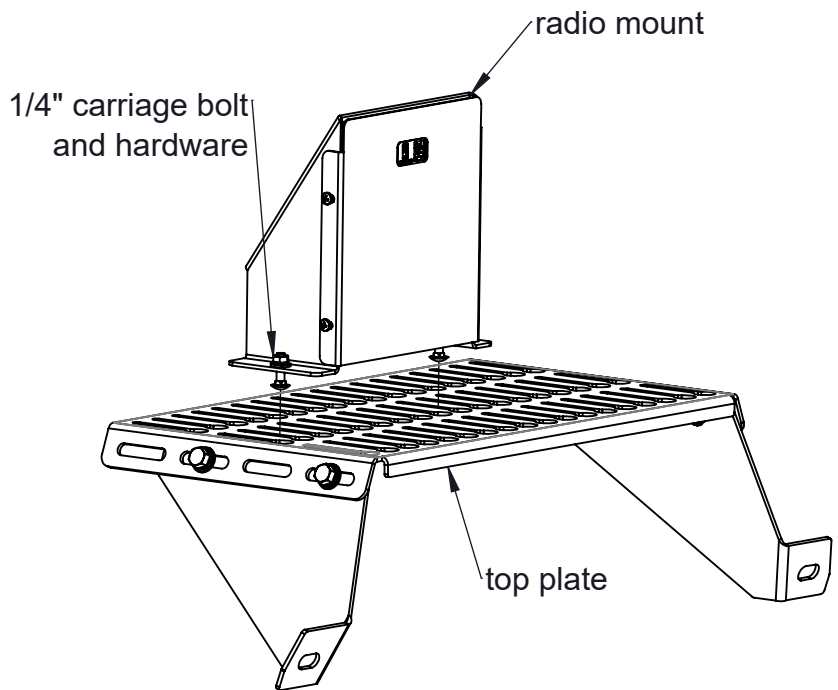




INSTALLATION INSTRUCTIONS

<u>Product</u> 7160-2035 L3HARRIS RADIO MOUNT, XL-185M / XL-200M	<u>Revision</u> Rev A	<u>Form</u> INST-1219 Printing Spec: PS-001
---	---------------------------------	---

1. Attach the L3HARRIS XL-185/LX200M U-shaped radio bracket (supplied by others) to the Gamber-Johnson radio mount with the #10-32 x .50" long machine screws found in hardware bag 7120-1237.
2. Attach the L3Harris radio to the U-shaped radio bracket.
3. Loosely attach the 1/4" x 1" carriage bolts, flat washers, lock washers, and hex nuts to the radio mount as shown below
4. Insert the carriage bolt heads through the keyhole slots on the top plate and slide into the desired location. Tighten the hex nuts to hold the mount in place.



Product Mounting Disclaimer

Gamber-Johnson is not liable under any theory of contract or tort law for any loss, damage, personal injury, special, incidental or consequential damages for personal injury or other damage of any nature arising directly or indirectly as a result of the improper installation or use of its products in vehicle or any other application. In order to safely install and use Gamber-Johnson products full consideration of vehicle occupants, vehicle systems (i.e., the location of fuel lines, brake lines, electrical, drive train or other systems), air-bags and other safety equipment is required. Gamber-Johnson specifically disclaims any responsibility for the improper use or installation of its products not consistent with original vehicle manufactures specifications and recommendations, Gamber-Johnson product instruction sheets, or workmanship standards as endorsed through the Gamber-Johnson Certified Installer Program.

© Copyright 2024 Gamber-Johnson, LLC

If you need assistance or have questions, call Gamber-Johnson at 1-800-456-6868

