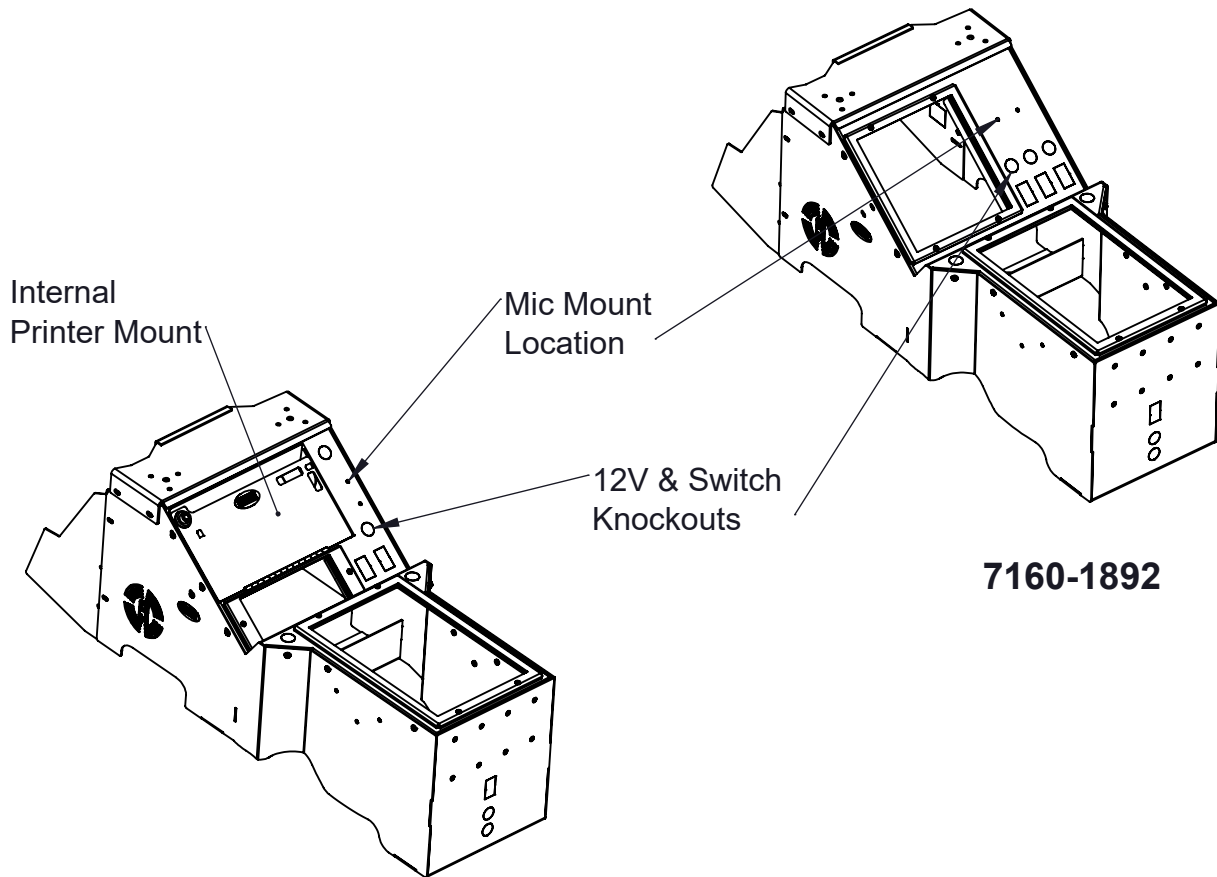




# INSTALLATION INSTRUCTIONS

<u>Product</u>	<u>Revision</u>	<u>Form</u>
7160-1892 / 7170-1077-XX 7160-1892-01 / 7170-1078-XX	A	INST-1162
Description: 2021+ FORD F150 Wide-to-Narrow Console and Printer Option		
Printing Spec: PS-005		



**7160-1892-01**

**7160-1892**

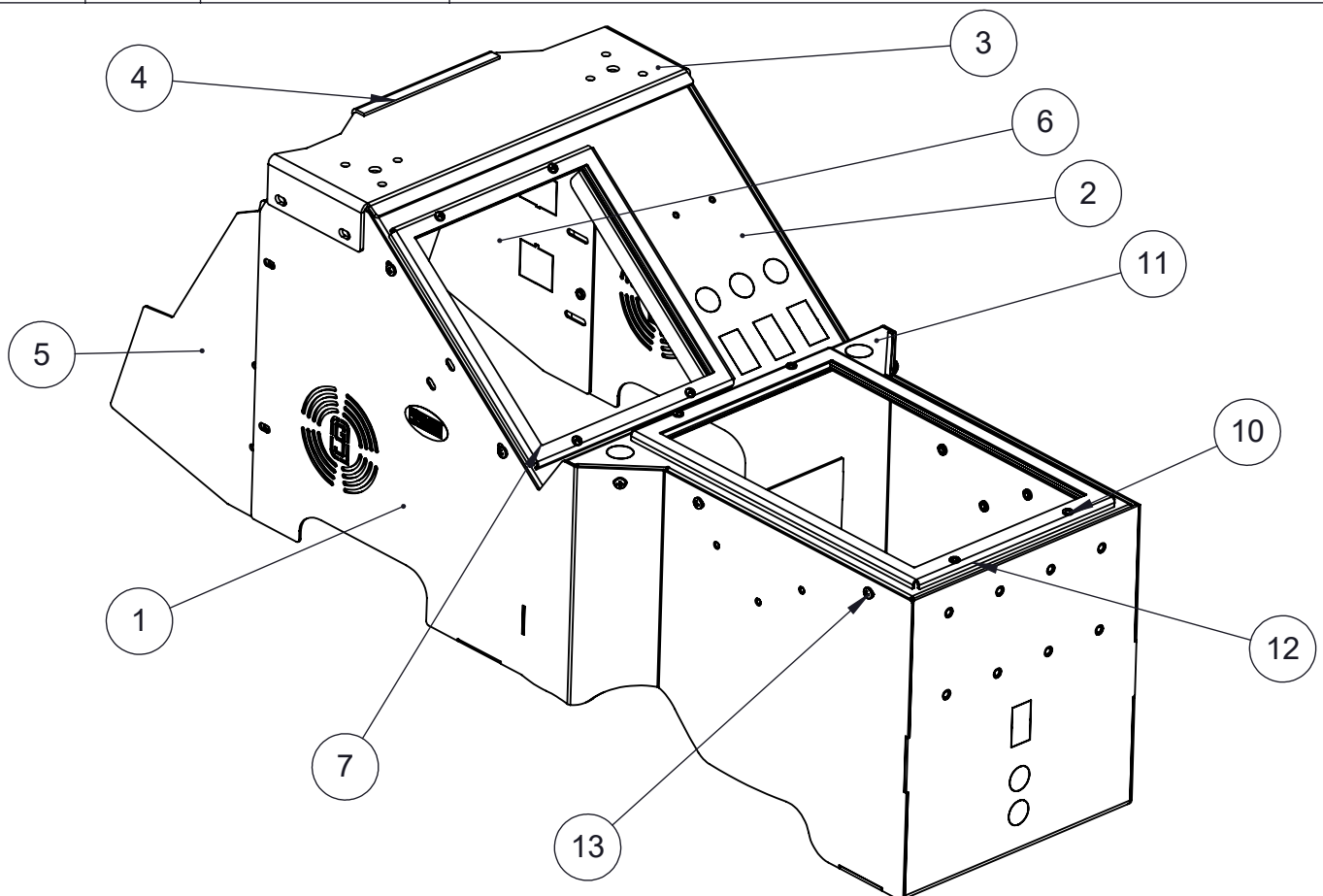
**Product Mounting Disclaimer**

Gamber-Johnson is not liable under any theory of contract or tort law for any loss, damage, personal injury, special, incidental or consequential damages for personal injury or other damage of any nature arising directly or indirectly as a result of the improper installation or use of its products in vehicle or any other application. In order to safely install and use Gamber-Johnson products full consideration of vehicle occupants, vehicle systems (i.e., the location of fuel lines, brake lines, electrical, drive train or other systems), air-bags and other safety equipment is required. Gamber-Johnson specifically disclaims any responsibility for the improper use or installation of its products not consistent with original vehicle manufactures specifications and recommendations, Gamber-Johnson product instruction sheets, or workmanship standards as endorsed through the Gamber-Johnson Certified Installer Program.

© Copyright 2024 Gamber-Johnson, LLC

If you need assistance or have questions, call Gamber-Johnson at 1-800-456-6868

ITEM	QTY	PartNo	DESCRIPTION
1	1	21175	MAIN WELDMENT - 2021+ FORD F150 WIDE-TO-NARROW CONSOLE
2	1	18104	F150 SLOPED AREA BRACKET
3	1	19985	PLATE - 2021+ F150 CONSOLE, TOP
4	6	14500	EDGE TRIM - .18 GAP, BLACK RUBBER
5	1	19986	PLATE - 2021+ FORD F150 WING, DRIVER SIDE
6	1	19987	PLATE - 2021+ FORD F150 WING, PASSENGER SIDE
7	1	18126	F150 SLOPED AREA HOLD DOWN
8	1	7120-0641	HARDWARE BAG - WIRE CHASE - TAHOE CONSOLE
9	1	7120-0886	HARDWARE BAG - FORD F-SERIES CONSOLE
10	8	10796-0001	#8-32 x 0.625 PPHMS FS-014
11	1	19114	F150 REAR AREA BRACKET NARROW VERSION
12	1	18125	F150 REAR OPENING HOLD DOWN FRAME
13	10	1122-1006	#10-32 x 0.375 PPHMS FS-014
14	40	9000-0043	DUAL LOCK - .50 WIDE, BLACK, HIGH DENSITY SIDE
15	40	9000-0046	DUAL LOCK - .50 WIDE, BLACK, LOW DENSITY SIDE
16	2	8700-0010	LABEL, COMPANY
17	1	PL-0002	LABEL - QR CODE INST SHEET
18	1	15378	LABEL - PATENT NUMBER
19	1	INST-1162	INSTRUCTION SHEET - 2021+ FORD F150 WIDE-TO-NARROW CONSOLE
20	1	INST-1117	INSTRUCTION SHEET - QR CODE INST SHEET DIRECTIONS



## Install:

1. Remove OEM center console or center seat following instructions provided in the vehicle specific Factory Service Manual (FSM)

\*Remove the two center seat brackets mounted to the transmission tunnel. Retain the (4) bolts as they will be used to install the console box.



Fig. 1

2. Set the console in place and align the 4 mounting solts on the console with the original bolt holes

\*Before re-installing factory hardware, loosely attach driver and passenger side wings to the console with provided #10 hardware.

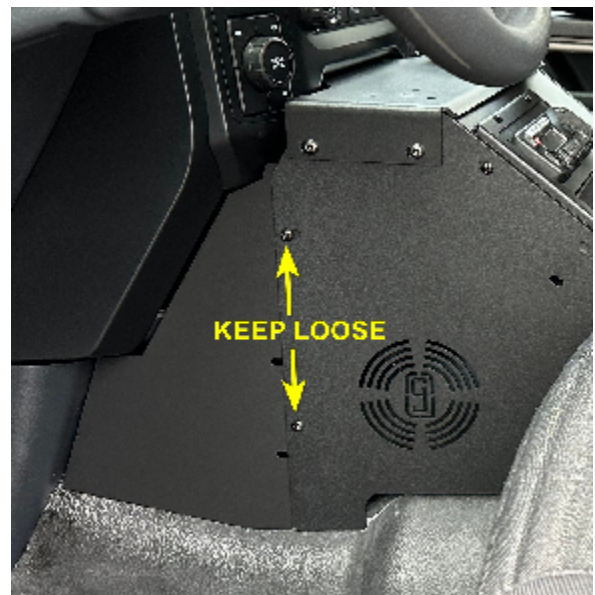


Fig. 2

3. The console can be attached to the vehicle with the OEM hardware. Torque bolts to OEM specification per FSM.



Fig. 3

4. The driver and passenger side wings can now be adjusted to fit against interior trim panels.



Fig. 4



Fig. 5

6. Console install is complete and it can be outfitted as required. Fig. 6 shows a typical installation.



Fig. 6