



INSTALLATION INSTRUCTIONS

Product

7170-0975, 7160-1766

Revision

A

Form

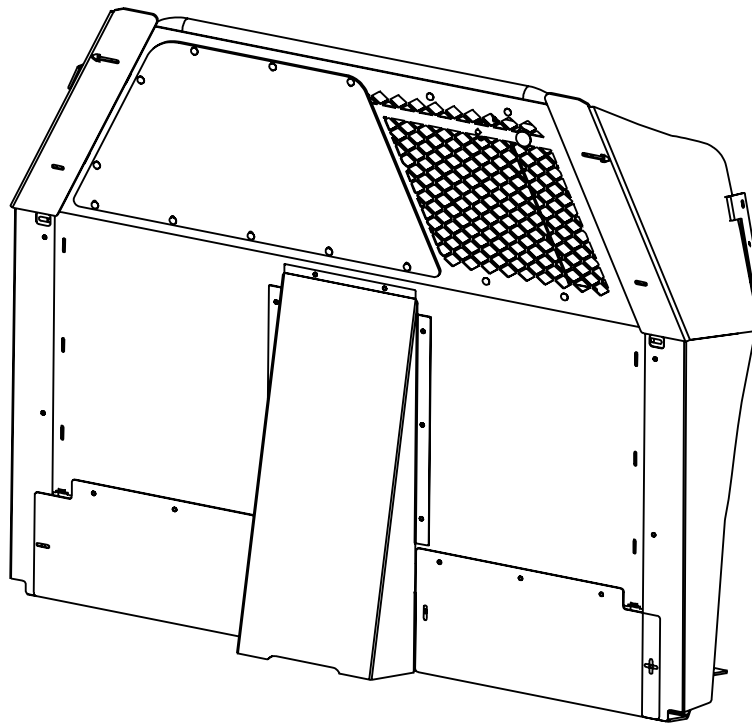
INST-1105

PASSENGER PARTITION, CHEVY TAHOE, 2021+

Printing Spec: PS-005

WARNING: Locate all wiring, fuel, brake, coolant & refrigerant lines before drilling any holes or installing any self-drilling fasteners.

VEHICLE FRONT →



← VEHICLE REAR

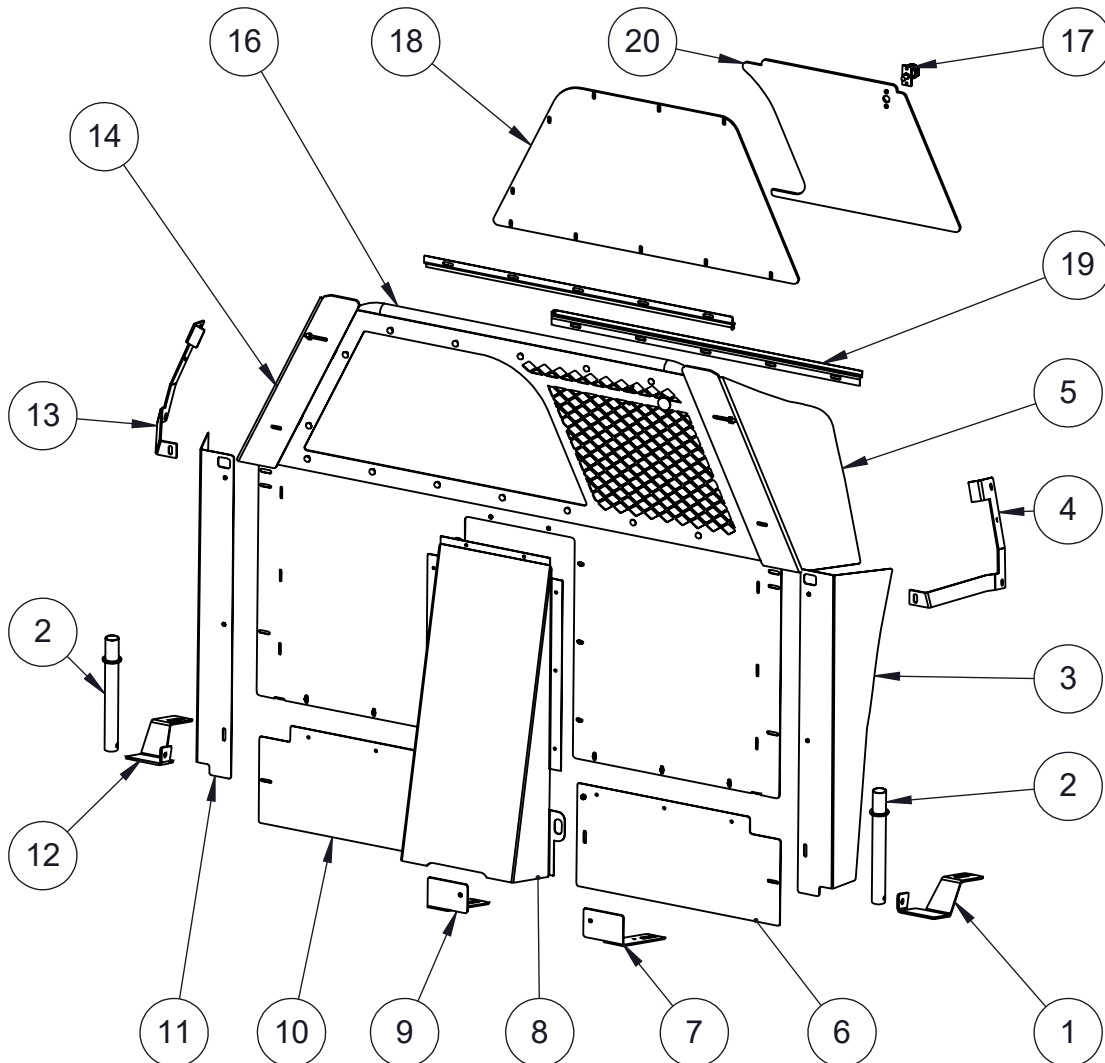
Product Mounting Disclaimer

Gamber-Johnson is not liable under any theory of contract or tort law for any loss, damage, personal injury, special, incidental or consequential damages for personal injury or other damage of any nature arising directly or indirectly as a result of the improper installation or use of its products in vehicle or any other application. In order to safely install and use Gamber-Johnson products full consideration of vehicle occupants, vehicle systems (i.e., the location of fuel lines, brake lines, electrical, drive train or other systems), air-bags and other safety equipment is required. Gamber-Johnson specifically disclaims any responsibility for the improper use or installation of its products not consistent with original vehicle manufactures specifications and recommendations, Gamber-Johnson product instruction sheets, or workmanship standards as endorsed through the Gamber-Johnson Certified Installer Program.

© Copyright 2020 Gamber-Johnson, LLC

If you need assistance or have questions, call Gamber-Johnson at 1-800-456-6868

ITEM	QTY	PartNo	DESCRIPTION
1	1	20786-01	P.S. OUTER BRACKET, PASSENGER PARTITION, TAHOE 21+
2	2	20786-03	LOWER TUBE WELDMENT, PASSENGER PARTITION, TAHOE 21+
3	1	20786-07	P.S. LOWER WING, PASSENGER PARTITION, TAHOE 21+
4	1	20786-10	P.S. B-PILLAR BRACKET, PASSENGER PARTITION, TAHOE 21+
5	1	20786-14	P.S. POLY WING, PASSENGER PARTITION, TAHOE 21+
6	1	20786-05	P.S. FOOT WELL, PASSENGER PARTITION, TAHOE 21+
7	1	20786-09	P.S. INNER BRACKET, PASSENGER PARTITION, TAHOE 21+
8	1	20786-12	CENTER EXTENSION, PASSENGER PARTITION, TAHOE 21+
9	1	20786-08	D.S. INNER BRACKET, PASSENGER PARTITION, TAHOE 21+
10	1	20786-04	D.S. FOOT WELL, PASSENGER PARTITION, TAHOE 21+
11	1	20786-06	D.S. LOWER WING, PASSENGER PARTITION, TAHOE 21+
12	1	20786-02	D.S. OUTER BRACKET, PASSENGER PARTITION, TAHOE 21+
13	1	20786-11	D.S. B-PILLAR BRACKET, PASSENGER PARTITION, TAHOE 21+
14	1	20786-13	D.S. POLY WING, PASSENGER PARTITION, TAHOE 21+
15	1	7120-1021	HARDWARE BAG-PASSENGER PARTITION
16	1	20763-1	PARTITION, MAIN WELDMENT
17	1	20436	PLATE MOUNT- RETRACTABLE SPRING PLUNGER
18	1	20763-2	WINDOW, PASS PARTITION, FIXED
19	2	20763-3	SLIDE RAIL, WINDOW, PASSENGER PARTITION
20	1	20763-4	SLIDING WINDOW, PASSENGER PARTITION



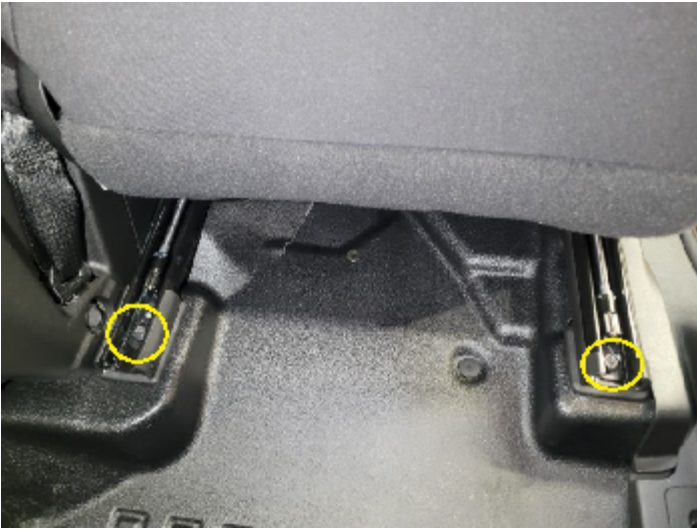


Fig. 1



Fig. 2

1. Loosen front seat bolts then slide & lean both front seats fully forward.
2. Remove rear seat bolts (Fig. 1) from both seats. Then, while pivoting the seat forward, slide Passenger & Driver Side Inner and Outer Brackets (items 1,7,9,12) under the seat tracks (Fig. 2). Note orientation on sheet 2.
3. Loosely reinstall seat bolts.
4. Loosely mount Lower Tube (item 2) to each of the Passenger & Driver Side Brackets (items 1, 12) using provided 3/8 hardware (Fig. 3).
5. Remove airbag cover on b-pillar and remove screw. Remove upper and lower b-pillar trim. Remove the two bolts retaining the grab handle (Fig. 4).
6. Install Driver and Passenger side B-Pillar Brackets (items 4, 13) with bolts removed in step 5 (Fig. 4).



Fig. 3



Fig. 4



Fig. 5



Fig. 6

7. Reinstall b-pillar trim.

8. Place the Partition (item 16) into the vehicle and slide onto Lower Tubes (items 2) (Fig 5).

9. Rotate Partition (item 16) up to B-pillar brackets (items 13, 4) and loosely secure using 5/16 bolts, washers and nuts (Fig 6).

10. Loosely install Lower Wings (items 3, 11) to Partition using ¼ acorn nuts and washers (Fig. 7).

11. Install Center Extension (item 8) to Partition using ¼ acorn nuts and washers (Fig. 8).



Fig. 7



Fig. 8



Fig. 9

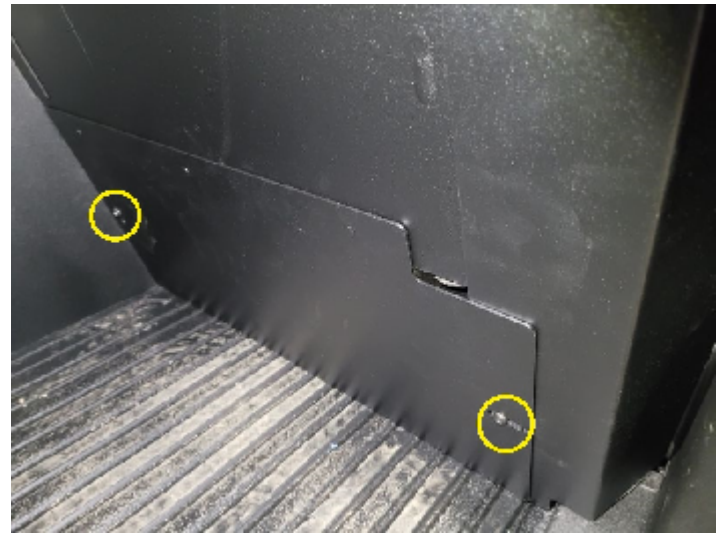


Fig. 10

12. Loosely install Foot Wells (items 6, 10) to Partition using $\frac{1}{4}$ acorn nuts and washers (Fig. 9).

13. Loosely install $\frac{1}{4}$ button head screws to secure Foot Wells (items 6, 10) to Inner Brackets (items 7, 9) and install $\frac{1}{4}$ button head screws and nuts to secure Foot Wells (items 6,10) to the Lower Wings (items 3,11) (Fig. 10)

14. Install Poly Wings (items 5, 14) to partition using provided $\frac{1}{4}$ button head screws, nylon washers, flat washers and acorn nuts (Fig. 11). Plastic washer should be installed between screw head and Poly Wing. Note: Only tighten hardware enough to keep Poly Wing from easily moving. Do not over tighten or Poly Wings could be damaged.

15. Adjust all componets to minimize gap and optimize fit. Tighten all hardware including OEM seat bolts.

16. Test function of Sliding Window (item 20). Window alignment and stop point can be adjusted if required (items 19).



Fig. 11