



INSTALLATION INSTRUCTIONS

<u>Product</u> 7160-1772-XX DELL 7230 TABLET DOCKING STATION	<u>Revision</u> Rev B	<u>Form</u> INST-1113 Printing Spec: PS-001
---	---------------------------------	---

This instruction sheet is for the Dell 7230 Tablet Docking Station. For instructions on features, set-up, and operation of the Dell 7230 computer, please refer to the manual provided by Dell with the computer.

This Docking Station is designed to be used with a variety of Gamber-Johnson mounting systems. Installation instructions for other Gamber-Johnson products are provided with each individual product.

This instruction sheet is for the following products:

- Item No. 7160-1772-00** Non-RF **Item No. 7160-1772-10** HDMI & Non-RF
- Item No. 7160-1772-04** Quad-RF **Item No. 7160-1772-14** HDMI & Quad-RF

A Dell certified power adapter must be used to power the docking station, the below power adapter are sold separately unless ordered through a KIT.
(See Page 4 For Isolated Power Adapter Options)

7300-0468 - 11-16VDC Input - Available with the Docking Stations as a KIT: **7170-0991-XX**



Product Mounting Disclaimer
Gamber-Johnson is not liable under any theory of contract or tort law for any loss, damage, personal injury, special, incidental or consequential damages for personal injury or other damage of any nature arising directly or indirectly as a result of the improper installation or use of its products in vehicle or any other application. In order to safely install and use Gamber-Johnson products full consideration of vehicle occupants, vehicle systems (i.e., the location of fuel lines, brake lines, electrical, drive train or other systems), air-bags and other safety equipment is required. Gamber-Johnson specifically disclaims any responsibility for the improper use or installation of its products not consistent with original vehicle manufactures specifications and recommendations, Gamber-Johnson product instruction sheets, or workmanship standards as endorsed through the Gamber-Johnson Certified Installer Program.

© Copyright 2022 Gamber-Johnson, LLC
If you need assistance or have questions, call Gamber-Johnson at 1-800-456-6868

PRE-INSTALLATION RECOMMENDATIONS

Conduct a "Bench Test"

Gamber-Johnson strongly advises a "bench test" be conducted to verify all electronic and software issues are resolved prior to installation:

1. Make sure the computer is operational by itself.
2. Insert computer into the docking station and verify that the computer is operating in the dock.
3. Interconnect entire assembly and verify start-up of all components, including other equipment (printers, modems, scanners, etc.)

Gamber-Johnson recommends positioning of all mounts and equipment in the vehicle prior to the actual install to verify that mounting locations are safe and practical.

IMPORTANT SAFETY INFORMATION FOR INSTALLERS

Safety is dependent on the proper installation and servicing of this docking station. It is important to read and follow all instructions before installing this product.

To properly install a Gamber-Johnson docking station you must have a good understanding of automotive electrical procedures and systems, along with proficiency in the installation and service of aftermarket vehicle equipment.

There are no adjustments required at any time of the electrical components within the docking station. **Opening the docking station will void the product warranty.**

During Installation:

DO NOT connect this docking station to the vehicle battery until:

1. All other electrical connections are made
2. Mounting of all components is complete
3. Verification that no shorts exist in the entire system

DO NOT install equipment or route wiring or cords in the deployment path of any air bag.

When drilling into the vehicle, DO make sure that both sides of the surface are clear of anything that could be damaged.

CAUTION: *If wiring is shorted to the frame, high current conductors can cause hazardous sparks resulting in electrical fires or flying molten metal.*

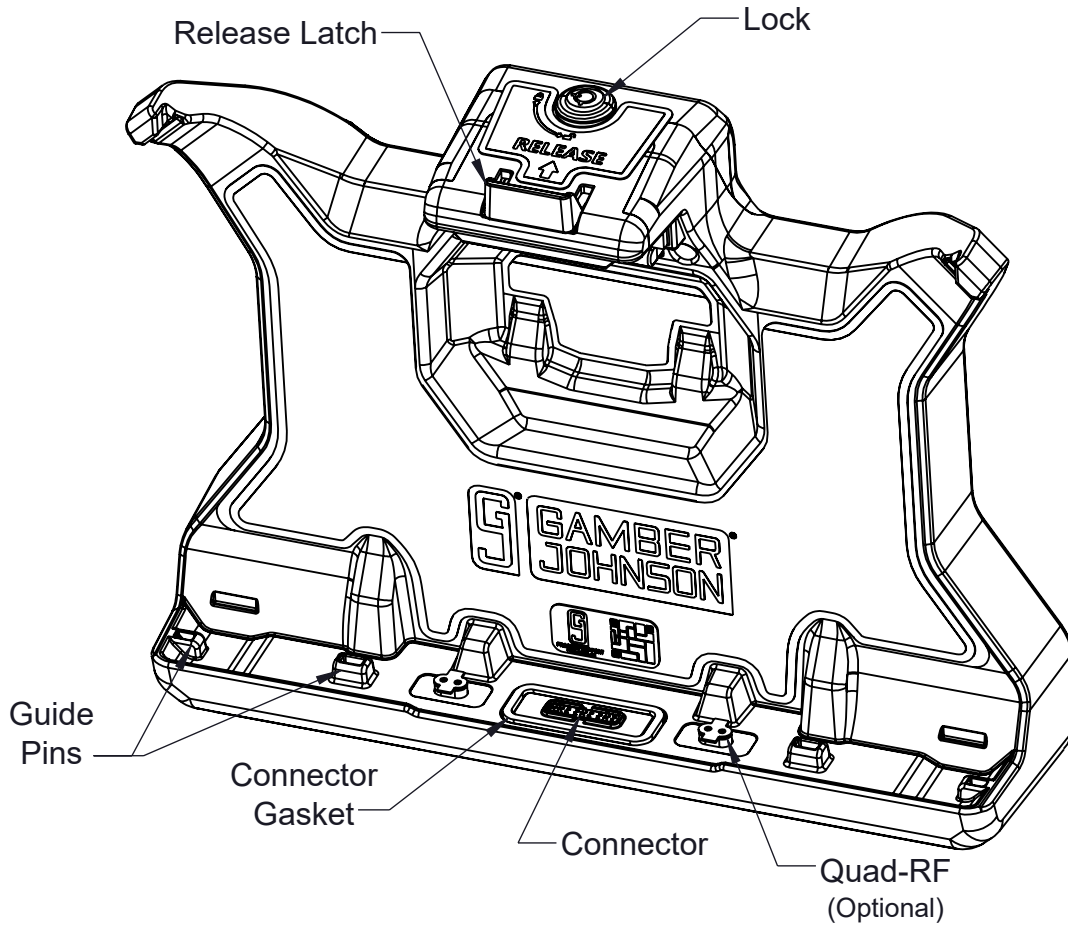
After installation:

Test the docking station to ensure that it is working properly.

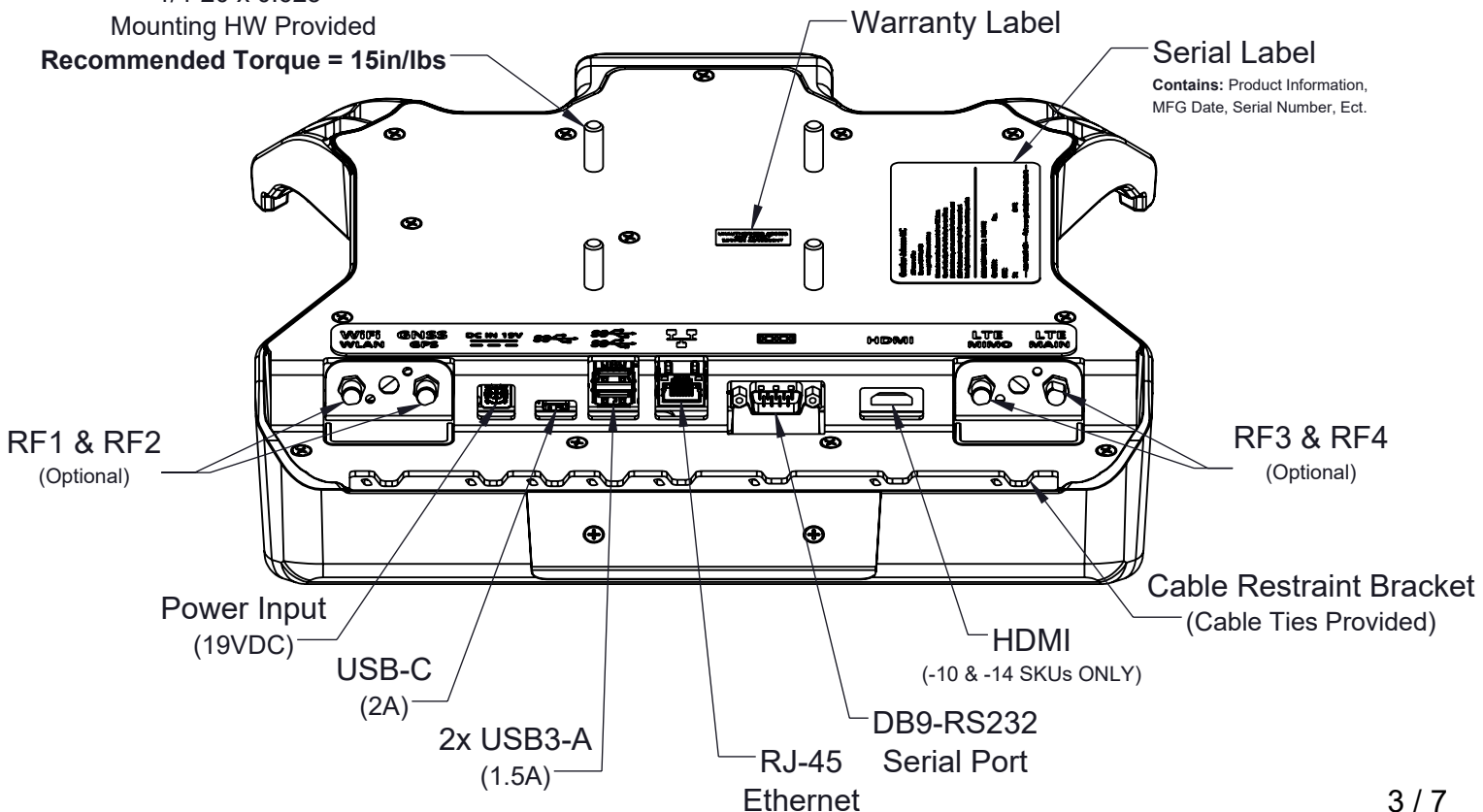
File these instructions in a safe place and refer to them when performing maintenance or re-installing.

WARNING: *Failure to follow all safety precautions and instructions may result in property damage, serious injury, or death.*

DELL 7230 TABLET DOCKING STATION FEATURE IDENTIFICATION



Mounting Studs
1/4-20 x 0.625"
Mounting HW Provided
Recommended Torque = 15in/lbs



ISOLATED POWER ADAPTERS

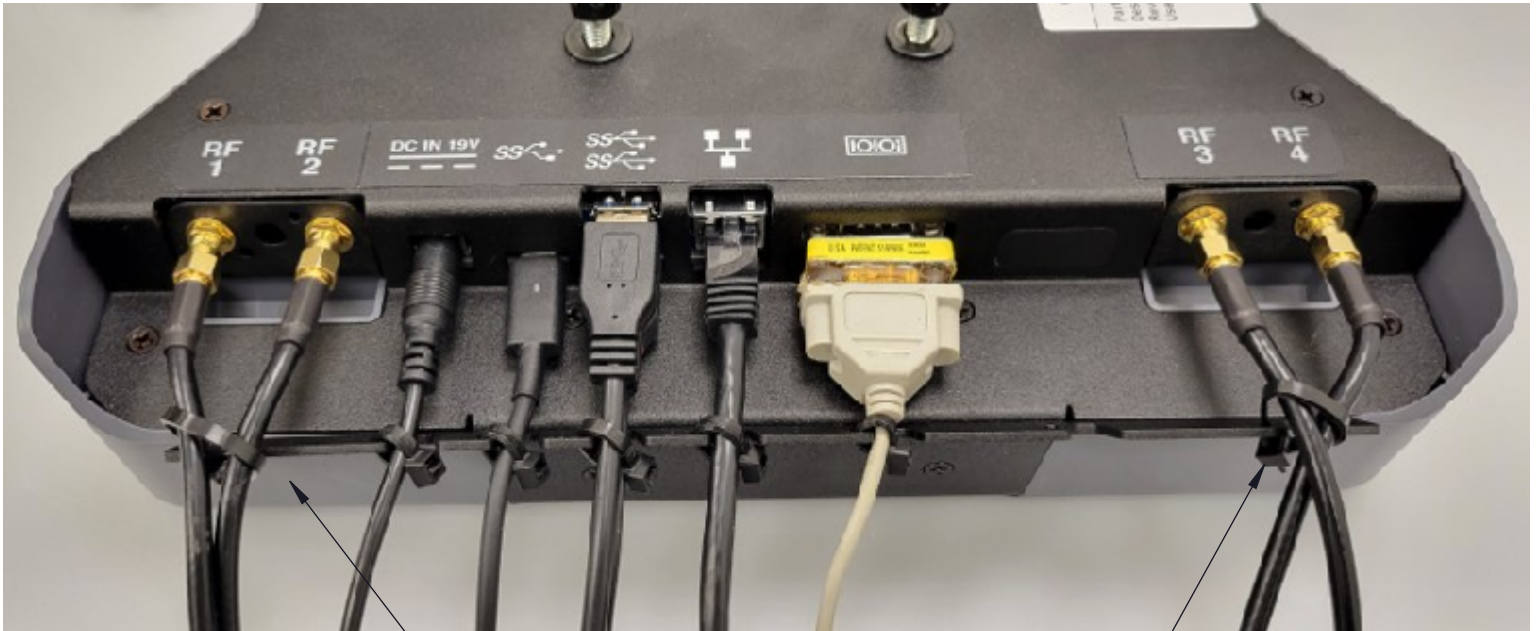
Isolated Power Adapters can be purchased directly from Gamber Johnson

7300-0305 - 12-32v Input

7300-0306 - 20-60v Input

7300-0622 - 72-110v Input

CABLE ROUTING



Use supplied cable ties to secure all peripherals to docking station

RF IDENTIFICATION

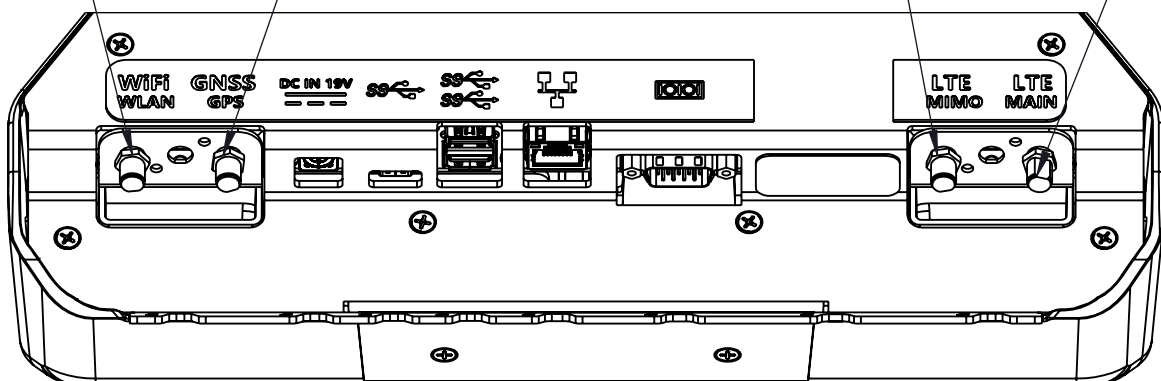
Note: RFs are NOT configurable

RF-1 (WiFi)
Dell 7230 Preset:
WLAN MAIN

RF-2 (GNSS)
Dell 7230 Preset:
GPS

RF-3 (LTE)
Dell 7230 Preset:
WWAN MIMO2

RF-4 (LTE)
Dell 7230 Preset:
WWAN MAIN



DOCKING AND UNDOCKING THE TABLET

TO DOCK THE COMPUTER

1. Insert the bottom of the tablet into the docking station.
2. Rotate the top of the tablet under the top latch until the tablet is resting inside the main housing. The latch will spring down in front of the tablet to hold it in place. (See figures 1 & 2)
3. (Optional) Turn lock 90 degrees clockwise to lock tablet in dock.



Figure 1



Figure 2



Unlocked Position

Locked Position



Figure 3

TO UNDOCK THE COMPUTER

1. Unlock the dock if locked (turn lock 90 degrees counter-clockwise)
2. Push inward on the thumb knob and pull outward on the top of the tablet until it clears the top latch. Make sure handle clears the lock housing. (See Figures 3 & 4)
3. Lift the Tablet up and out of the docking station

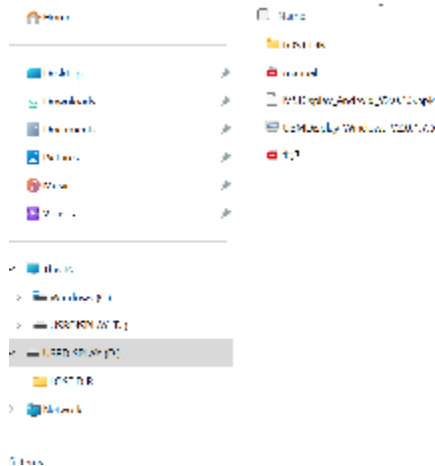


Figure 4

HDMI DRIVER DOWNLOAD INFORMATION

7160-1772-10 & 7160-1772-14 SKU ONLY

1. Dock the tablet and verify power. The HDMI Driver (D: Drive) may pop up automatically. If the D: Drive folder does not pop up automatically navigate to the "Devices and Drives" under File Explorer and open the D: Drive.

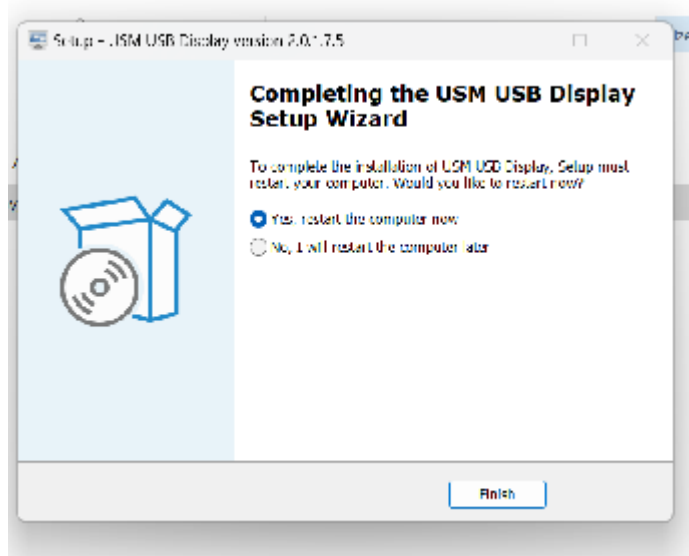


NOTE: If you do not see the D: Drive folder with HDMI Adapter information when the tablet is docked, go to www.gamberjohnson.com and find the "HDMI Adapter Drivers" .ZIP file on product pages:
7160-1772-10
7160-1772-14

2. Click and install the "USMDisplay_Windows_V2.0.1.7.5" Application.

Icon	Name	Date/Time	Type	Size
Folder	LOST.DIR	12/13/2021 5:51 PM	File folder	
PDF	manual	7/25/2022 9:51 AM	Microsoft Edge PDF ...	74 KB
APK	MSDisplay_Android_V2.0.1.3.apk	7/25/2022 9:51 AM	APK File	2,817 KB
Application	USMDisplay_Windows_V2.0.1.7.5	7/25/2022 9:51 AM	Application	3,332 KB
PDF	manual	7/25/2022 9:51 AM	Microsoft Edge PDF ...	144 KB

3. Once the install is complete the tablet will need to restart to apply the Display Driver Update and enable the HDMI Port. Verify the HDMI port is functional.



Regulatory Certification Information

Regulatory Model #: 7160-1772

GJ Model #'s AND Description:

7160-1772-00	DOCK - DELL 7230 TABLET LITE PCB - NON-RF
7160-1772-04	DOCK - DELL 7230 TABLET LITE PCB - QUAD-RF
7160-1772-10	DOCK - DELL 7230 TABLET FULL PCB - NON-RF
7160-1772-14	DOCK - DELL 7230 TABLET FULL PCB - QUAD-RF

Descriptions: Dock - Dell - 7230

Certifications:

- EN 55032: 2015/A11:2020 Class B
- EN 50498: 2010
- VCCI-CISPR 32: 2016
- AS/NZS CISPR 32: 2015
- FCC Part 15 Class B
- ICES-003 Issue 7

This device complies with Part 15 of the FCC Rules. Operation is subject to the following two conditions. (1) this device may not cause harmful interference, and (2) this device must accept any interference received, including interference that may cause undesired operation.



Gamber-Johnson LLC, 5001 Joerns Drive,
Stevens Point, WI, 54481, USA, 715-344-3482