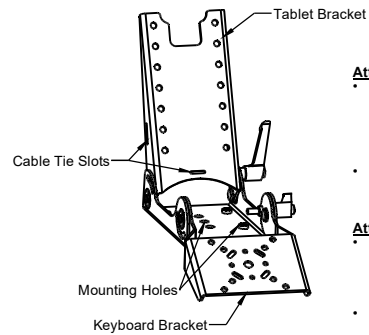




INSTALLATION INSTRUCTIONS

<u>Product</u>	<u>Revision</u>	<u>Form</u>
7160-1445, 7160-1820 RIVETED TABLET & KEYBOARD MOUNT TALL FOLD-UP TABLET KEYBOARD MNT	Rev C	INST-993
Printing Spec: PS-001		

This instruction sheet is for the Riveted Tablet & Keyboard Mount and the Tall Fold-up Tablet Keyboard Mount. It will accommodate most tablet and keyboards and can be used with 7160-0857 (quick-release keyboard) or 7160-1470-00 (GJ keyboard cradle). It is designed to be used with standard Gamber-Johnson motion attachments and has multiple mounting locations to get as close to the vehicle dash as possible.



Attaching the tablet

- Attach the docking station or cradle in one of the 75mm VESA positions on the tablet bracket using the hardware supplied with the docking station or cradle.
- Use the cable tie slot cutouts to secure any cables.

Attaching the keyboard

- The keyboard bracket has a number of different hole patterns cut into it, including: 75mm and 50mm VESA, AMPS, NEC and a centered 3/8 hole.
- Attach the keyboard to the keyboard bracket using the pan heads screws provided in the hardware bag.
- If using Gamber-Johnson's quick-release keyboard, use the 75mm hole pattern.

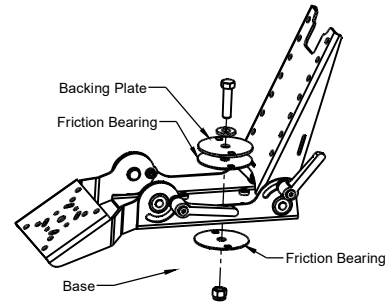
Product Mounting Disclaimer
Gamber-Johnson is not liable under any theory of contract or tort law for any loss, damage, personal injury, special, incidental or consequential damages for personal injury or other damage of any nature arising directly or indirectly as a result of the improper installation or use of its products in vehicle or any other application. In order to safely install and use Gamber-Johnson products full consideration of vehicle occupants, vehicle systems (i.e., the location of fuel lines, brake lines, electrical, drive train or other systems), air-bags and other safety equipment is required. Gamber-Johnson specifically disclaims any responsibility for the improper use or installation of its products not consistent with original vehicle manufacturer's specifications and recommendations. Gamber-Johnson product instruction sheets, or workmanship standards as endorsed through the Gamber-Johnson Certified Installer Program.

© Copyright 2020 Gamber-Johnson, LLC

If you need assistance or have questions, call Gamber-Johnson at 1-800-456-6868

Attaching the tablet & keyboard mount

- The tablet & keyboard mount has 1/4" threaded inserts in a 75mm VESA pattern on the bottom side for mounting to standard Gamber-Johnson motion attachments. Attach with the 1/4-20 x1/2" socket button head screws found in the hardware bag.
- The mount also has a clearance holes for a 3/8" bolt for mounting to Gamber-Johnson motion attachments. The three clearance holes are 1" apart to fine tune the mounting position. Use friction bearings and backing plate as shown.



Features of the Tablet & Keyboard Mount

- Riveted pivot joints - allows for reliably smooth operation without adjustment of hardware.
- Adjustable handles - spring loaded adjustable handle to position both tablet and keyboard independently.
- Mounts on top of standard Gamber-Johnson motion attachments to position the mount as close to the vehicle dash as possible.
- Keyboard bracket can be folded up when not in use.

