



INSTALLATION INSTRUCTIONS

Product

7160-1368

Revision

Rev. G

Form

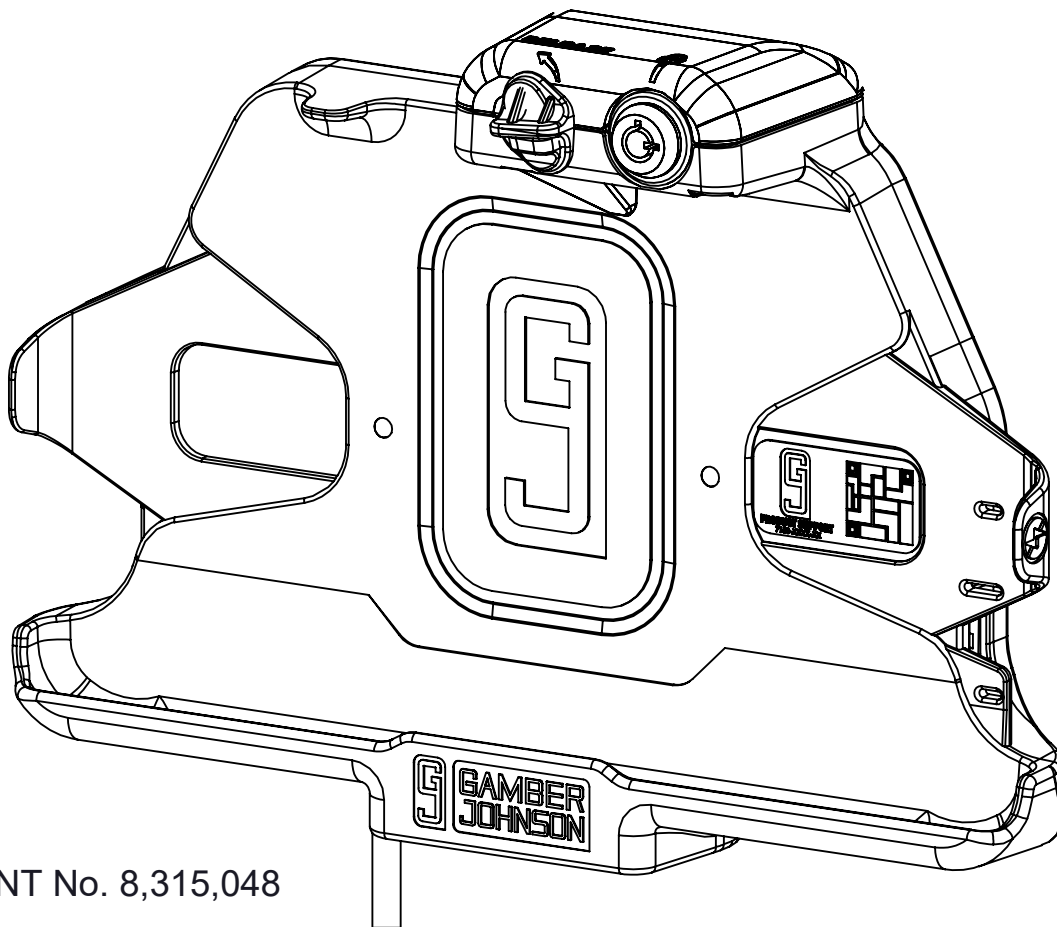
INST-920

Printing Spec: PS-004

SAMSUNG, TABACTIVE 2, FULL DOCK

This instruction sheet is for the Samsung Galaxy Tab Active 2 docking station only. For instructions on features, set-up, and operation of the Galaxy Tab Active 2 tablet, please refer to the manual provided by Samsung with the tablet.

This docking station is designed to be used with a variety of Gamber-Johnson mounting systems. Installation instructions for other Gamber-Johnson products are provided with each individual product.



U.S. PATENT No. 8,315,048

Product Mounting Disclaimer

Gamber-Johnson is not liable under any theory of contract or tort law for any loss, damage, personal injury, special, incidental or consequential damages for personal injury or other damage of any nature arising directly or indirectly as a result of the improper installation or use of its products in vehicle or any other application. In order to safely install and use Gamber-Johnson products full consideration of vehicle occupants, vehicle systems (i.e., the location of fuel lines, brakes lines, electrical, drive train or other systems), air-bags and other safety equipment is required. Gamber-Johnson specifically disclaims any responsibility for the improper use or installation of its products not consistent with the original vehicle manufactures specifications and recommendations, Gamber-Johnson product instruction sheets, or workmanship standards as endorsed through the Gamber-Johnson Certified Installer Program.

© Copyright 2022 Gamber-Johnson, LLC

If you need assistance or have questions, call Gamber-Johnson at 1-800-756-9198

PRE-INSTALLATION RECOMMENDATIONS

Conduct a "Bench Test"

Gamber-Johnson strongly advises a "bench test" be conducted to verify all electronic and software issues are resolved prior to installation:

1. Make sure the computer is operational by itself.
2. Insert computer into the docking station and verify that the computer is operating in the dock and battery is charging.

Gamber-Johnson recommends positioning of all mounts and equipment in the vehicle prior to the actual install to verify that mounting locations are safe and practical.

IMPORTANT SAFETY INFORMATION FOR INSTALLERS

Safety is dependent on the proper installation and servicing of this docking station. It is important to read and follow all instructions before installing this product.

To properly install a Gamber-Johnson docking station you must have a good understanding of automotive electrical procedures and systems, along with proficiency in the installation and service of aftermarket vehicle equipment.

There are no adjustments required at any time of the electrical components within the docking station. **Opening the docking station will void the product warranty.**

During Installation:

DO NOT connect this docking station to the vehicle battery until:

1. All other electrical connections are made
2. Mounting of all components is complete
3. Verification that no shorts exist in the entire system

DO NOT install equipment or route wiring or cords in the deployment path of any air bag.

When drilling into the vehicle, DO make sure that both sides of the surface are clear of anything that could be damaged.

CAUTION: *If wiring is shorted to the frame, high current conductors can cause hazardous sparks resulting in electrical fires or flying molten metal.*

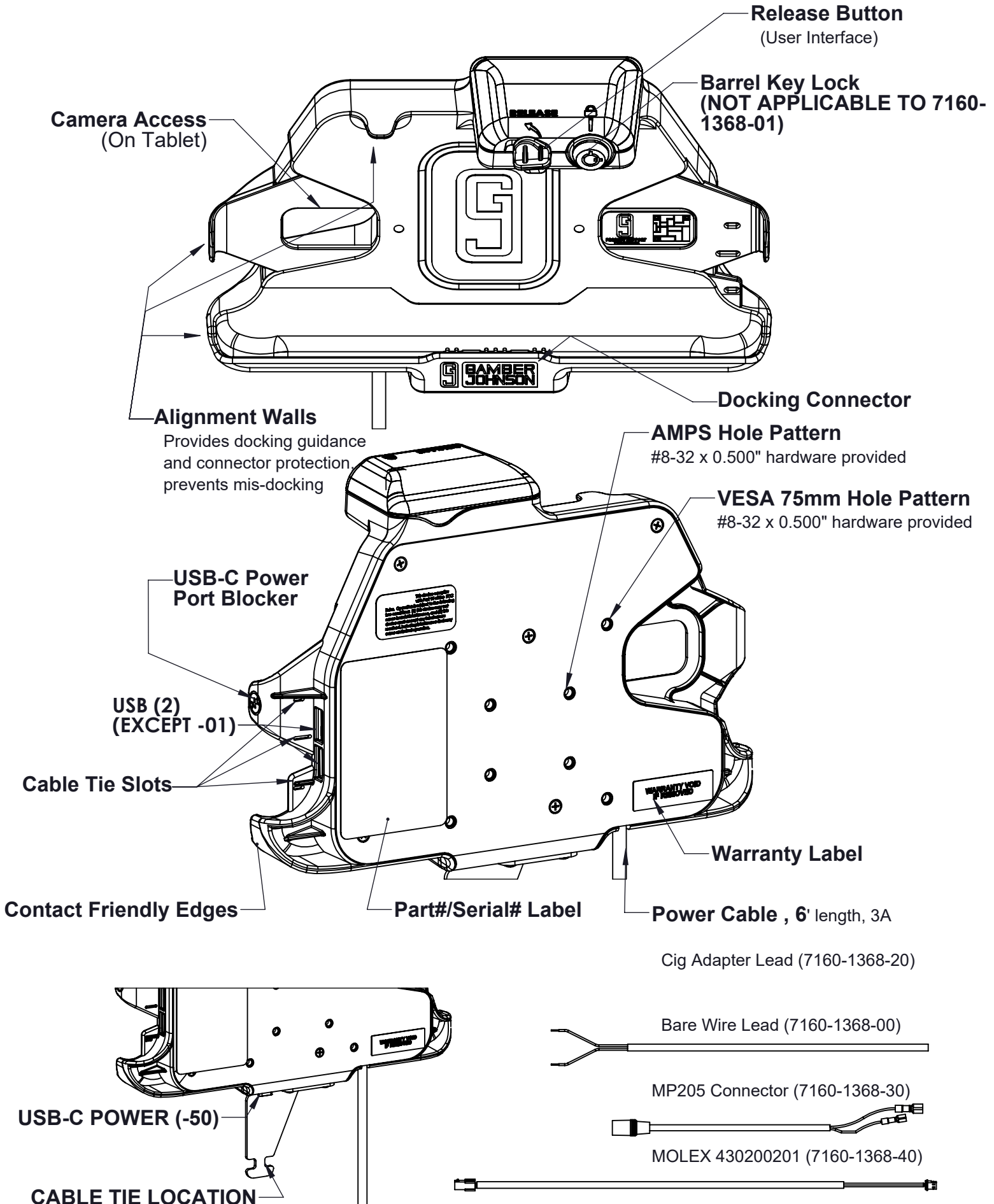
After installation:

Test the docking station to ensure that it is working properly.

File these instructions in a safe place and refer to them when performing maintenance or re-installing.

WARNING: *Failure to follow all safety precautions and instructions may result in property damage, serious injury, or death.*

SAMSUNG TAB ACTIVE DOCK FEATURE IDENTIFICATION



Note: Bare Wire Lead for 7160-1368-01 3/6

CABLE MANAGEMENT FEATURES AND PROPER INSTALLATION

- 1.) Use Zip Ties (provided) to secure each port cable to the specified strain relief feature on the dock.
- 2.) Use Zip Ties (provided) to secure bundled cables for improved routing - OPTIONAL.

One USB Cable
Insert Zip Tie thru
center slot

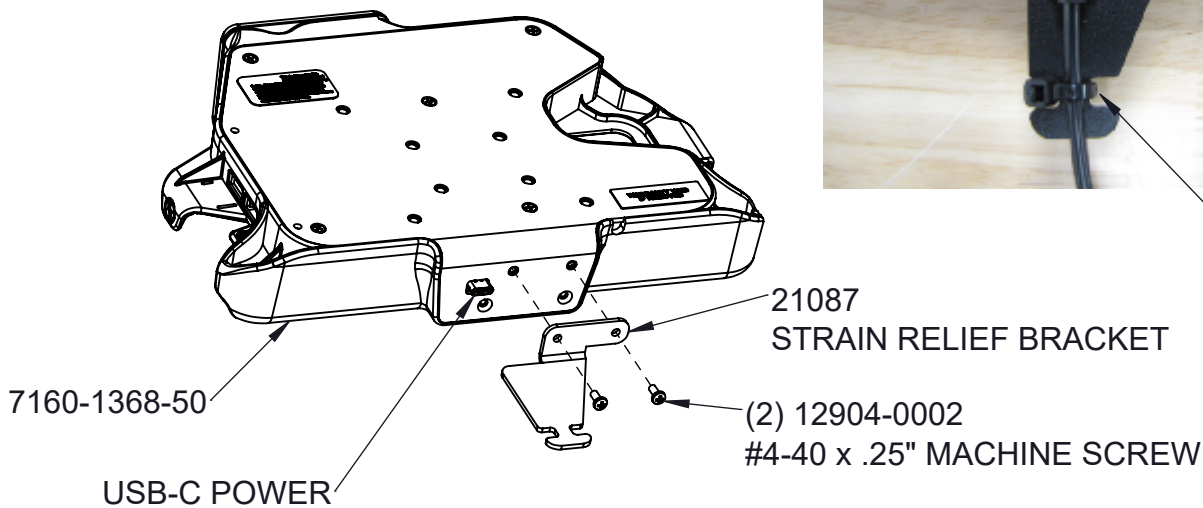


Two USB Cables
Insert Zip Tie thru
outer slots



7160-1368-50 USB Charging Dock

7120-1122 Hardware Bag
Strain Relief Bracket Assembly



Zip Tie

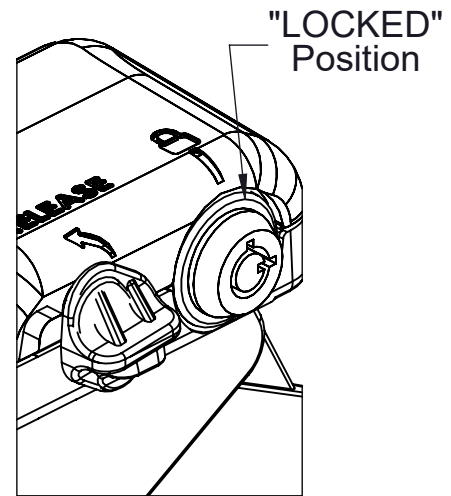
DOCKING AND UNDOCKING THE TABLET

TO DOCK THE COMPUTER

1. Insert the bottom of the tablet into the docking station.

Then rotate the top of the tablet under the blue latch until the tablet is resting inside the main housing. The blue latch will spring down in front of the tablet to hold it in place.

2. (Optional) For added security, with the dock in the "Latched" position, turn the lock to the "LOCKED" position (Counter Clockwise).-(**NOT APPLICABLE TO 7160-1368-01**)



TO UNDOCK THE COMPUTER

1. Turn the lock to the "UNLOCKED" position (Clockwise).(**NOT APPLICABLE TO 7160-1368-01**)

2. Push upward on the Release Button with the thumb and pull outward on the top of the tablet until it clears the blue latch. Lift the tablet out of the dock.



Regulatory Certification Information

Regulatory Model #: 7160-1368

GJ Model #'s: 7160-1368-00, 7160-1368-01, 7160-1368-20, 7160-1368-30, 7160-1368-40, & 7160-1368-50(Charging Only)

Descriptions: Dock-Samsung-TabActive 2 No RF, CIG Adapter Lead
Dock-Samsung-TabActive 2 No RF, Bare Wire Lead
Dock-Samsung-TabActive 2 No RF, MP205 Conn Lead
Dock-Samsung-TabActive 2 No RF, Molex 430200201 Lead
Dock-Samsung-TabActive 2 No RF, Charging only

Certifications:

- EN 55032:2015 CISPR 32 Class B
- EN 50498:2012
- ISO 10650, Section 8, Table C.2
- E8 10R-06 12315
- E5 118R-03 0071

This device complies with Part 15 of the FCC Rules. Operation is subject to the following two conditions. (1) this device may not cause harmful interference, and (2) this device must accept any interference received, including interference that may cause undesired operation.



10R – 06 12315



Approval No: E5*118R03/01*0071*00



Gamber-Johnson LLC, 5001 Joerns Drive,
Stevens Point, WI, 54481, USA, 715-344-3482