



INSTALLATION INSTRUCTIONS

Product

7160-1383

LEG KIT - RAM 1500-3500 2019+

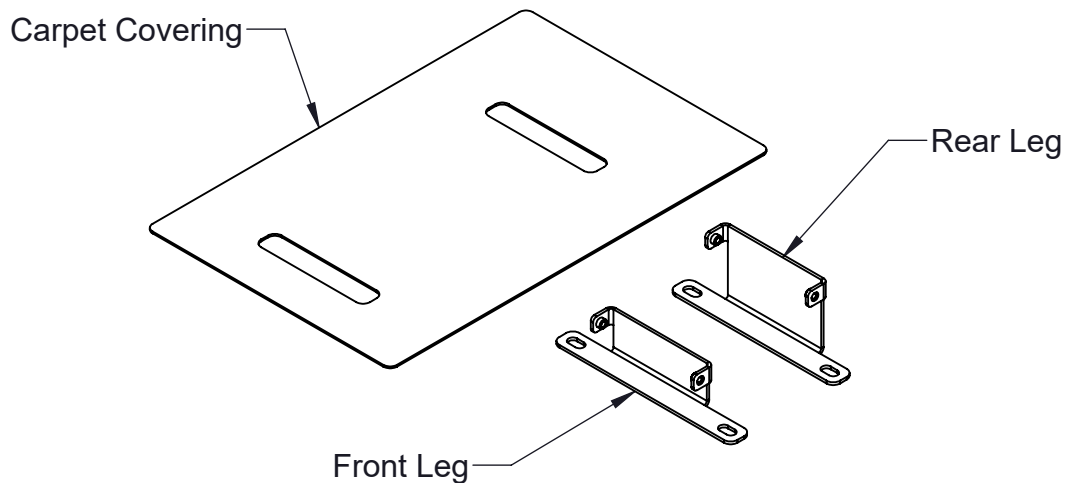
Revision

Rev A

Form

INST-908

Printing Spec: PS-001



These instructions detail the installation of the Gamber-Johnson leg kit, 7160-1383, into 2019 and newer Ram 1500-3500 trucks equipped with a center seat. The installation uses OEM hardware from the center seat brackets that may not be present if the vehicle does not have the center seat installed from the factory.

To Install:

1. Remove the tray in front of the center seat by removing the rubber liner and removing the two plastic pins. Push down on the tray while pulling forward to remove the clips from the center seat.
2. Remove the (2) front center seat bolts exposed after removing the tray. These will be reused to mount the front leg.
3. Remove the two side covers near the back of the center seat to expose the side bolts. Remove the (3) bolts in the back sides of the center seat, two on the passenger side and one on the driver side.
4. Lift and remove the center seat. Unplug any electrical connections to the center seat while removing it.

Product Mounting Disclaimer

Gamber-Johnson is not liable under any theory of contract or tort law for any loss, damage, personal injury, special, incidental or consequential damages for personal injury or other damage of any nature arising directly or indirectly as a result of the improper installation or use of its products in vehicle or any other application. In order to safely install and use Gamber-Johnson products full consideration of vehicle occupants, vehicle systems (i.e., the location of fuel lines, brake lines, electrical, drive train or other systems), air-bags and other safety equipment is required. Gamber-Johnson specifically disclaims any responsibility for the improper use or installation of its products not consistent with original vehicle manufactures specifications and recommendations, Gamber-Johnson product instruction sheets, or workmanship standards as endorsed through the Gamber-Johnson Certified Installer Program.

© Copyright 2019 Gamber-Johnson, LLC

If you need assistance or have questions, call Gamber-Johnson at 1-800-456-6868

5. Fold the rear half of the carpet back to expose the black plastic that covers the rear center seat mount bracket. To do so the front driver and passenger seat may need to be removed. See FIG. 1 below showing the carpet folded back. Remove the black plastic cover.

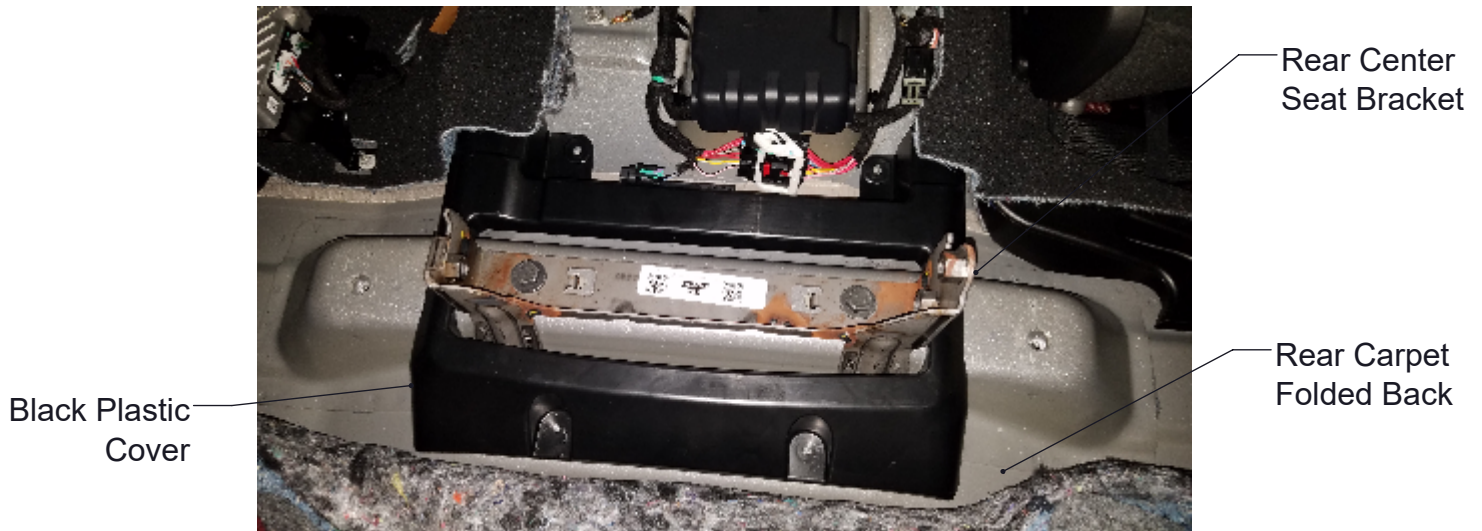


FIG 1 - Rear Center Seat Bracket Access

6. Remove the rear center seat bracket by removing the four bolts. Two of the bolts are uncovered when the black plastic piece was removed in the previous step. Two of these bolts will be reused to mount the rear leg.
7. Fold the rear carpet back in place and reinstall the front driver and passenger seat if they were removed in the previous steps. Place the front and rear legs on the transmission tunnel with the flanges pointed forward. Reinstall the four OEM bolts to attach the legs to the transmission tunnel. See FIG. 2 below.



FIG 2 - Leg Orientation

8. Place the carpet cover included over the leg kit with the two brackets protruding up through the holes in the carpet.
9. Install the top plate (purchased separately) onto the leg kit using the 3/8-16 hardware provided in the desired position in the vehicle.