



INSTALLATION INSTRUCTIONS

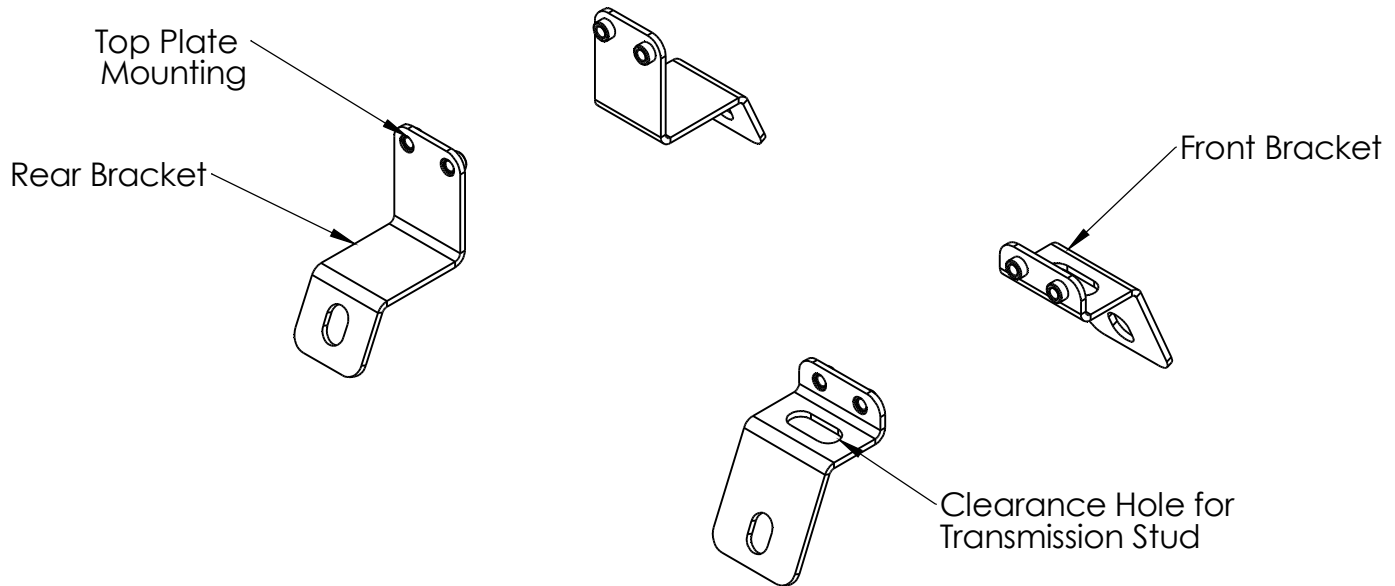
Product
7160-1325

Revision
Rev.B

Form
INST-892

LEG KIT - CHEVY SILVERADO/GMC SIERRA 2019+

Printing Spec:PS-001



To Install:

1. Remove the (4) 18mm bolts holding in the center seat. The inner driver and passenger seat rails will need to be loosened to provide clearance to remove the rear center seat bolts. Save these bolts for the leg kit installation in the next step.

Note: If vehicle is ordered with center seat delete, mounting holes will need to be tapped for M12x1.75x35mm bolts (not supplied).

2. Place the front and rear brackets onto the transmission hump and attach them using the (4) 18mm bolts from Step 1. See the diagram above showing which brackets are for the front and rear. Do not fully tighten the leg kit bracket bolts.
3. Place the top plate onto the leg kit and position it where desired in the vehicle. Attach the top plate to the leg kit brackets using the (4) 3/8-16 hex bolts and washers provided in the hardware bag. Each bracket has two threaded inserts but only requires one bolt. Two threaded inserts are provided to ensure there is always one attachment point accessible when positioning the top plate in the vehicle.
4. Tighten the leg kit bracket bolts and retighten the passenger and driver seat bolts that were loosened in Step 1.

Product Mounting Disclaimer

Gamber-Johnson is not liable under any theory of contract or tort law for any loss, damage, personal injury, special, incidental or consequential damages for personal injury or other damage of any nature arising directly or indirectly as a result of the improper installation or use of its products in vehicle or any other application. In order to safely install and use Gamber-Johnson products full consideration of vehicle occupants, vehicle systems (i.e., the location of fuel lines, brakes lines, electrical, drive train or other systems), air-bags and other safety equipment is required. Gamber-Johnson specifically disclaims any responsibility for the improper use or installation of its products not consistent with the original vehicle manufactures specifications and recommendations, Gamber-Johnson product instruction sheets, or workmanship standards as endorsed through the Gamber-Johnson Certified Installer Program.

© Copyright 2019 Gamber-Johnson, LLC

If you need assistance or have questions, call Gamber-Johnson at 1-800-456-6868