



INSTALLATION INSTRUCTIONS

Product 7160-1813 (7160-1252)	Revision Rev. E	Form INST-877
GETAC UX10 TABLET DOCKING STATION		Printing Spec: PS-001

This instruction sheet is for the Getac UX10 TABLET docking station only. For instructions on features, set-up, and operation of the computer, please refer to the manual provided by Getac with the computer.

This docking station is designed to be used with a variety of Gamber-Johnson mounting systems. Installation instructions for other Gamber-Johnson products are provided with each individual product.

This instruction sheet is for the following products:

- Item No. 7160-1252-00** No RF (External Power Supply sold separately)
- Item No. 7160-1252-03** Tri RF (External Power Supply sold separately)
- Item No. 7160-1813-00** No RF (External Power Supply sold separately)
- Item No. 7160-1813-03** Tri RF (External Power Supply sold separately)

Getac recommends using the following Power Adapters to power the docking station. They can be ordered from Gamber-Johnson separately.

- 7300-0471** - Auto (12-32 Vdc input) - Available with the docking station as KIT 7170-0696
- 7300-0413** - Isolated (12-32 Vdc input)
- 7300-0412** - Isolated (20-60 Vdc input)
- 7300-0416** - Isolated (72-110 Vdc input)



Product Mounting Disclaimer
Gamber-Johnson is not liable under any theory of contract or tort law for any loss, damage, personal injury, special, incidental or consequential damages for personal injury or other damage of any nature arising directly or indirectly as a result of the improper installation or use of its products in vehicle or any other application. In order to safely install and use Gamber-Johnson products full consideration of vehicle occupants, vehicle systems (i.e., the location of fuel lines, brakes lines, electrical, drive train or other systems), air-bags and other safety equipment is required. Gamber-Johnson specifically disclaims any responsibility for the improper use or installation of its products not consistent with the original vehicle manufactures specifications and recommendations, Gamber-Johnson product instruction sheets, or workmanship standards as endorsed through the Gamber-Johnson Certified Installer Program.

PRE-INSTALLATION RECOMMENDATIONS

Conduct a "Bench Test"

Gamber-Johnson strongly advises a "bench test" be conducted to verify all electronic and software issues are resolved prior to installation:

1. Make sure the computer is operational by itself.
2. Insert computer into the docking station and verify that the computer is operating in the dock.
3. Interconnect entire assembly and verify start-up of all components, including other equipment (printers, modems, scanners, etc.)

Gamber-Johnson recommends positioning of all mounts and equipment in the vehicle prior to the actual install to verify that mounting locations are safe and practical.

IMPORTANT SAFETY INFORMATION FOR INSTALLERS

Safety is dependent on the proper installation and servicing of this docking station. It is important to read and follow all instructions before installing this product.

To properly install a Gamber-Johnson docking station you must have a good understanding of automotive electrical procedures and systems, along with proficiency in the installation and service of aftermarket vehicle equipment.

There are no adjustments required at any time of the electrical components within the docking station. **Opening the docking station will void the product warranty.**

During Installation:

DO NOT connect this docking station to the vehicle battery until:

1. All other electrical connections are made
2. Mounting of all components is complete
3. Verification that no shorts exist in the entire system

DO NOT install equipment or route wires or cords in the deployment path of any air bag.

When drilling into the vehicle, **DO** make sure that both sides of the surface are clear of anything that could be damaged.

CAUTION: *If wiring is shorted to the frame, high current conductors can cause hazardous sparks resulting in electrical fires or flying molten metal.*

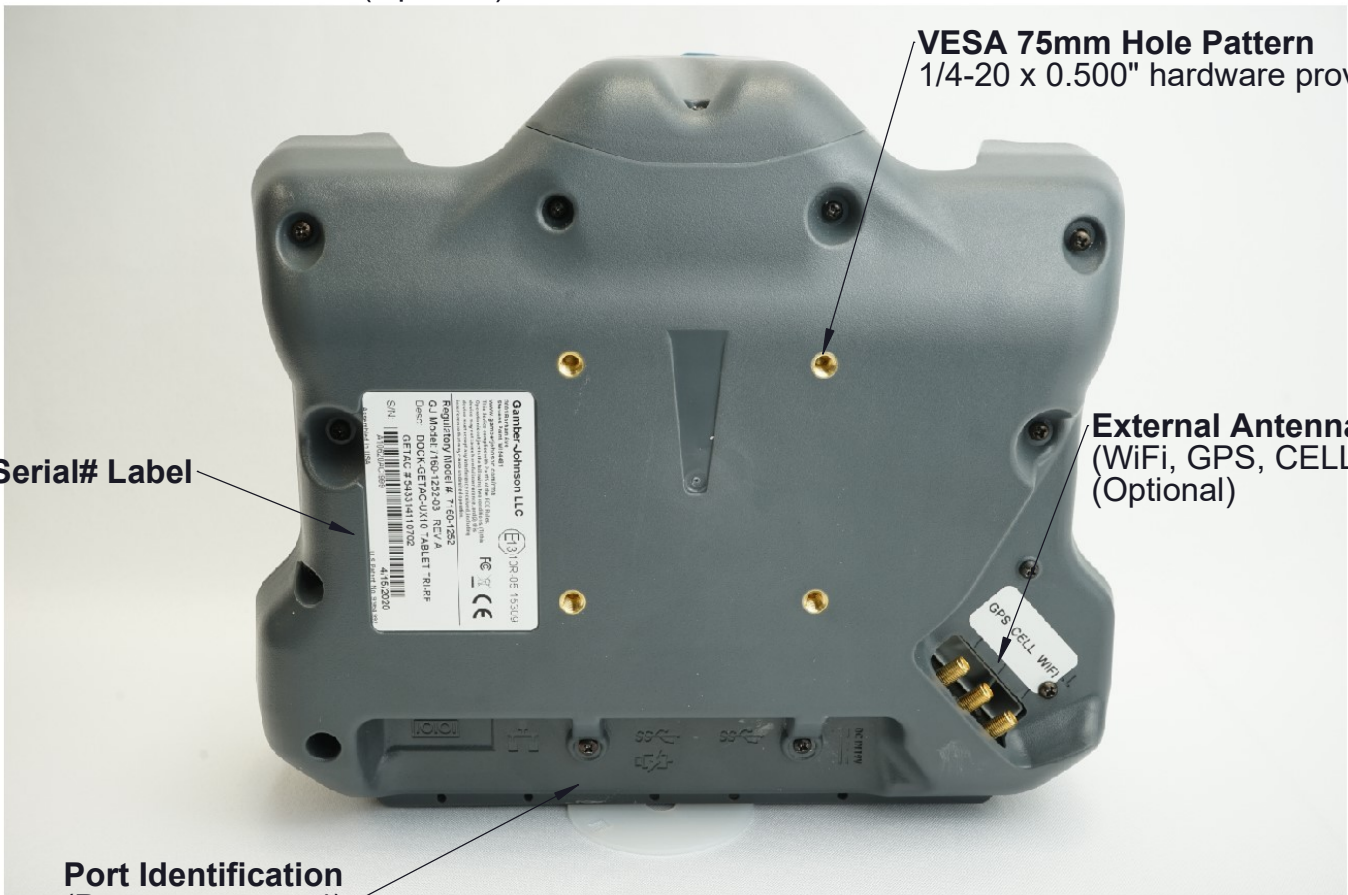
After installation:

Test the docking station to ensure that it is working properly.

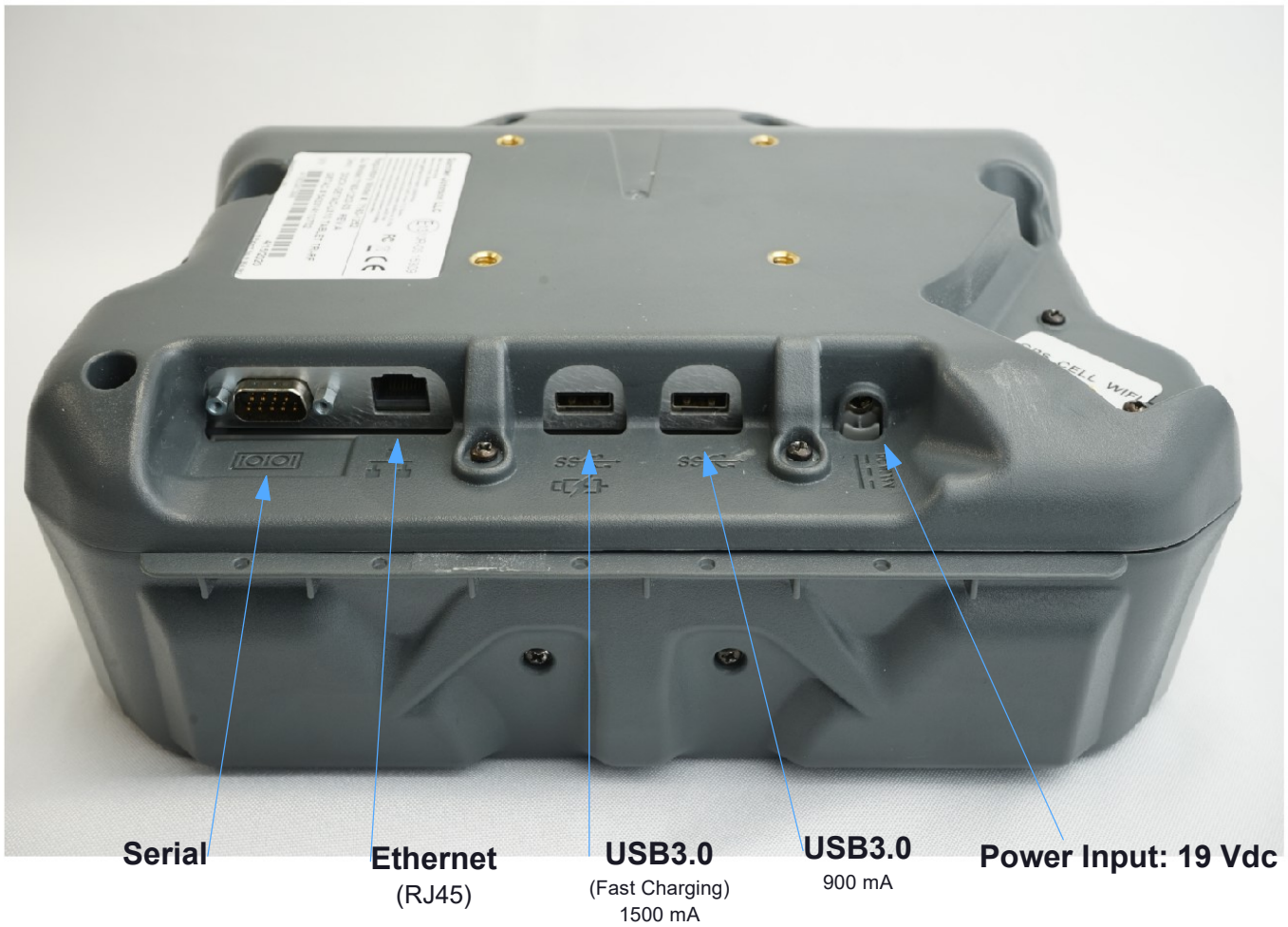
File these instructions in a safe place and refer to them when performing maintenance or re-installing.

WARNING: *Failure to follow all safety precautions and instructions may result in property damage, serious injury, or death.*

FEATURE IDENTIFICATION

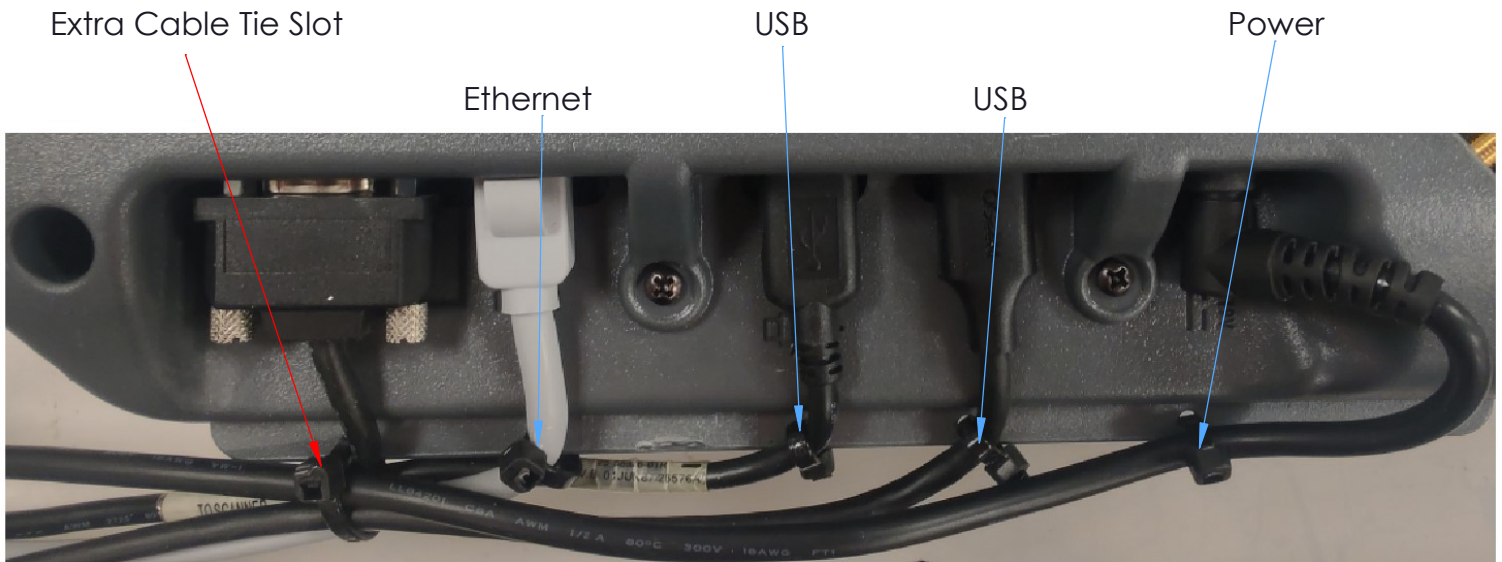


PORT IDENTIFICATION



CABLE MANAGEMENT FEATURES AND PROPER INSTALLATION

- 1.) Use Zip ties (provided) to secure each port cable to the specific strain relief feature on the dock
- 2.) Use Zip ties (provided) to secure bundled cables for improved routing - OPTIONAL



DOCKING AND UNDOCKING THE TABLET

OPERATION - DOCKING

1. Insert the front of the tablet into the front guide pins of the dock. The walls on the dock will guide the tablet into place.
2. Rotate the back of the tablet and push down, overcoming the resistance until an audible click is heard.
3. Optional - With the dock in the "Latched" position, turn the lock to the "LOCKED" position (CW). This will lock the tablet in the dock, and secure the tablet if the screen is closed and latched.



Insert Bottom First



Rotate Tablet into the dock

"Latched Position"



Alternate Hand Position



Insert Bottom First



Rotate Tablet into the dock

"Latched Position"



DOCKING AND UNDOCKING THE TABLET

"Locked" Position



"Unlocked" Position



OPERATION - UNDOCKING

1. Turn the lock to the "UNLOCKED" position (CCW).
2. With your thumb press up on the latch mechanism.
3. Remove the tablet by pulling it away from the dock. This can be done with the same hand.



Press up on the latch

Pull tablet away



Regulatory Certification Information

Regulatory Model #: 7160-1252 & 7160-1813

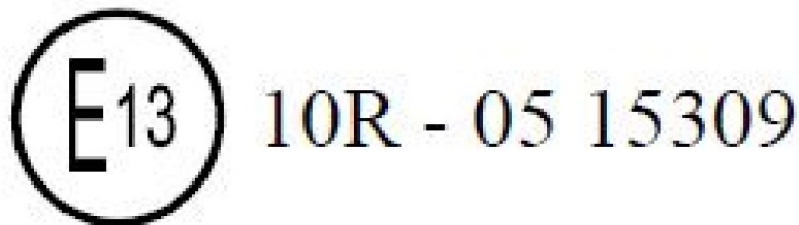
GJ Model #'s & Description:

7160-1813-00 (7160-1252-00) Dock-Getac UX10 Laptop-No RF
7160-1252-03 (7160-1252-03) Dock-Getac UX10 Laptop-Tri RF

Certifications:

- EN 55032: 2012/AC: 2013 Class B
- EN 50498: 2010
- E-mark

This device complies with Part 15 of the FCC Rules. Operation is subject to the following two conditions. (1) this device may not cause harmful interference, and (2) this device must accept any interference received, including interference that may cause undesired operation.



Gamber-Johnson LLC, 3001 Borham Ave.,
Stevens Point, WI, 54481, USA, 715-344-3482



INSTALLATION INSTRUCTIONS

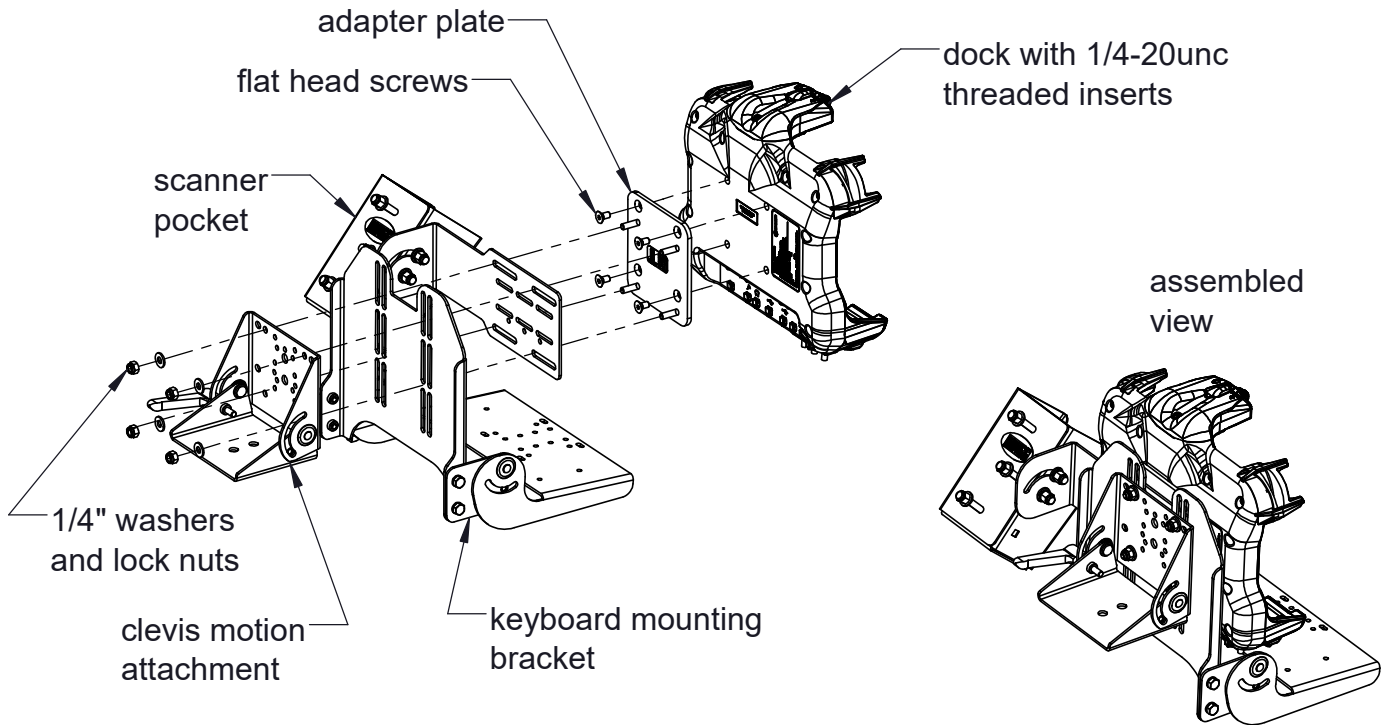
<u>Product</u> 7160-1942 ADAPTER - 75MM HOLES TO STUDS	<u>Revision</u> Rev A	<u>Form</u> INST-1157 Printing Spec: PS-001
---	---------------------------------	---

This instruction sheet is for the Gamber-Johnson 75mm hole to stud adapter plate. It is used when studs are needed for mounting applications and the dock or cradle has 1/4-20unc threaded inserts. Example = Gamber-Johnson docking stations for Getac computers used in the Material Handling industry when secondary scanner pockets or keyboard mounts are also being mounted. The adapter plate allows for 1 individual to install the entire assembly by placing the secondary mounts on the studs when assembling to the motion attachment.

Mounting the adapter:

Attach the adapter plate to the docking station with the 1/4-20 x 1/2" long socket flat head machine screws found in hardware bag 7120-1156.

Attach the adapter plate to the motion attachment with the 1/4" flat washers and lock nuts provided in hardware bag 7120-1156.



Product Mounting Disclaimer

Gamber-Johnson is not liable under any theory of contract or tort law for any loss, damage, personal injury, special, incidental or consequential damages for personal injury or other damage of any nature arising directly or indirectly as a result of the improper installation or use of its products in vehicle or any other application. In order to safely install and use Gamber-Johnson products full consideration of vehicle occupants, vehicle systems (i.e., the location of fuel lines, brake lines, electrical, drive train or other systems), air-bags and other safety equipment is required. Gamber-Johnson specifically disclaims any responsibility for the improper use or installation of its products not consistent with original vehicle manufactures specifications and recommendations, Gamber-Johnson product instruction sheets, or workmanship standards as endorsed through the Gamber-Johnson Certified Installer Program.

© Copyright 2023 Gamber-Johnson, LLC

If you need assistance or have questions, call Gamber-Johnson at 1-800-456-6868