

INSTALLATION INSTRUCTIONS

Product

7160-0872

OFFSET ADAPTER ASSEMBLY

Revision

Rev.A

Form

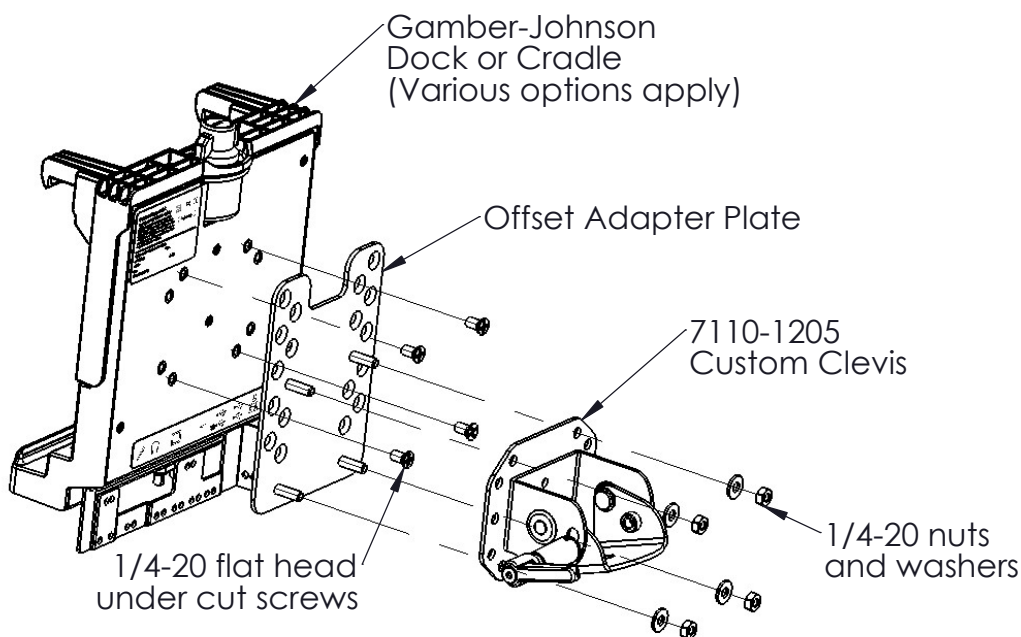
INST-739

Printing Spec:PS-001

The Offset Adapter Assembly is an adapter designed to mount Gamber-Johnson docking stations and cradles to the Gamber-Johnson custom clevis 7110-1205 which is used on the Gamber-Johnson Close-To-Dash vehicle mounts. The adapter allows the end user to mount the cradle or dock higher in the vehicle than the standard mount allows.

Installing the adapter:

1. Attach the adapter plate to the back side of the cradle using the 1/4-20 x .50 long flat head under cut machine screws that were provided in the hardware bag. Depending on the cradle being mounted the adapter has 2" of adjustment for the 75mm hole pattern and 3" of adjustment for the legacy Gamber-Johnson hole pattern.
2. Attach the adapter plate to the 7110-1205 clevis with the 1/4-20 nuts and washers provided in the hardware bag.
3. Attach entire assembly to the Close-To-Dash mount. See the instruction sheet that was supplied with the (Close-To-Dash) model number that was purchased.



Product Mounting Disclaimer

Gamber-Johnson is not liable under any theory of contract or tort law for any loss, damage, personal injury, special, incidental or consequential damages for personal injury or other damage of any nature arising directly or indirectly as a result of the improper installation or use of its products in vehicle or any other application. In order to safely install and use Gamber-Johnson products full consideration of vehicle occupants, vehicle systems (i.e., the location of fuel lines, brakes lines, electrical, drive train or other systems), air-bags and other safety equipment is required. Gamber-Johnson specifically disclaims any responsibility for the improper use or installation of its products not consistent with the original vehicle manufactures specifications and recommendations, Gamber-Johnson product instruction sheets, or workmanship standards as endorsed through the Gamber-Johnson Certified Installer Program.

© copyright 2011 Gamber-Johnson, LLC

If you need assistance or have questions, call Gamber-Johnson at 1-800-456-6868