



Very Well Connected™

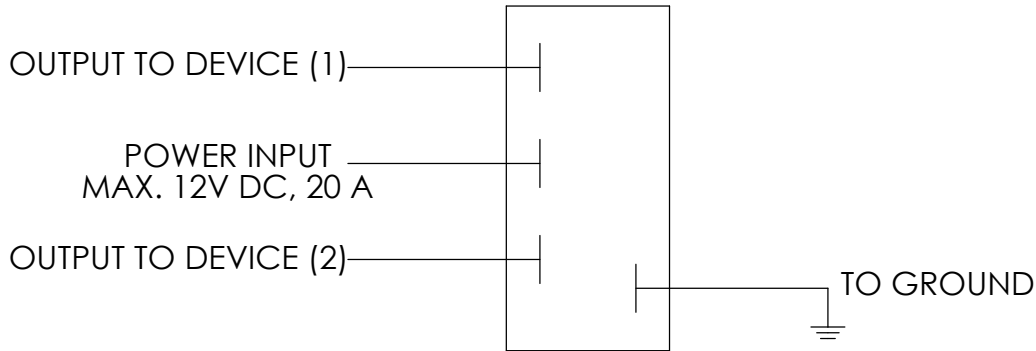
# INSTALLATION INSTRUCTIONS

<b><u>Product</u></b> <b>SWITCHES</b> <b>7160-0516, 7160-0517, 7160-0540</b>	<b><u>Revision</u></b> Rev. B	<b><u>Form</u></b> INST-619
--	----------------------------------	--------------------------------

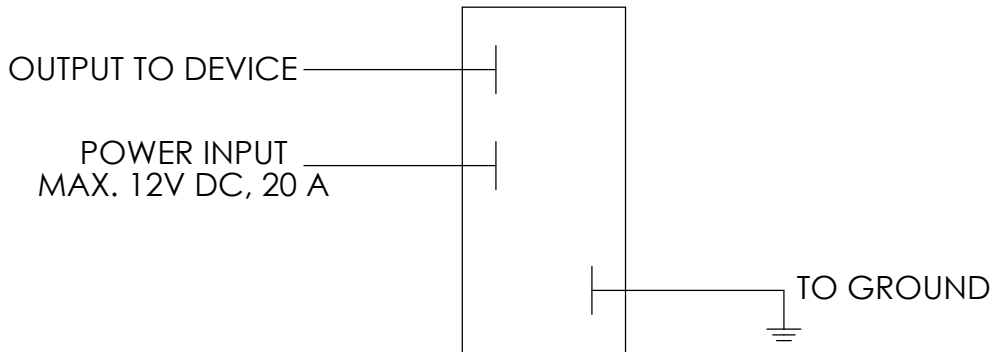
**Printing Spec: PS-001**

**NOTE:** A 14 AWG WIRE IS RECOMMENDED FOR INSTALLATION

## 7160-0516 SWITCH - ON/OFF/ON, SPDT, 4 CONTACTS



## 7160-0517 SWITCH - ON/OFF, SPST, 3 CONTACTS



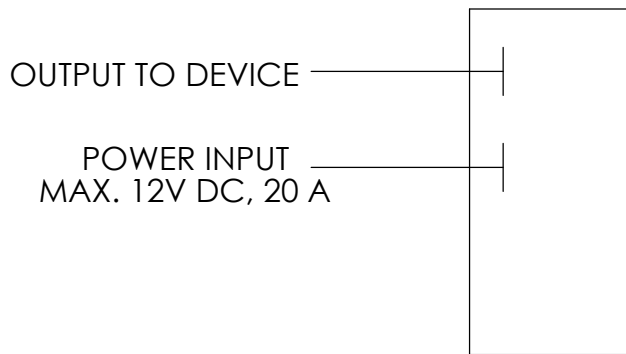
### Product Mounting Disclaimer

Gamber-Johnson is not liable under any theory of contract or tort law for any loss, damage, personal injury, special, incidental or consequential damages for personal injury or other damage of any nature arising directly or indirectly as a result of the improper installation or use of its products in vehicle or any other application. In order to safely install and use Gamber-Johnson products full consideration of vehicle occupants, vehicle systems (i.e., the location of fuel lines, brakes lines, electrical, drive train or other systems), air-bags and other safety equipment is required. Gamber-Johnson specifically disclaims any responsibility for the improper use or installation of its products not consistent with the original vehicle manufactures specifications and recommendations, Gamber-Johnson product instruction sheets, or workmanship standards as endorsed through the Gamber-Johnson Certified Installer Program.

© Copyright 2013 Gamber-Johnson, LLC

If you need assistance or have questions, call Gamber-Johnson at 1-800-456-6868

## **7160-0540 SWITCH - ON/OFF MOMENTARY, SPST, 2 CONTACTS**



## **IMPORTANT SAFETY INFORMATION FOR INSTALLERS**

### **During Installation:**

- DO NOT install equipment or route wiring or cords in the deployment path of any airbag.
- When drilling into the vehicle. DO make sure that both sides of the surface are clear of anything that could be damaged.

***CAUTION:** If wiring is shorted to the frame, high current conductors can cause hazardous sparks resulting in electrical fires or flying molten metal.*

### **After Installation:**

- Test the accessories/devices to ensure they are working properly.
- File these instructions in a safe place and refer to them when performing maintenance or re-installing.

***WARNING:** Failure to follow all safety precautions and instructions may result in property damage, serious injury or death.*