

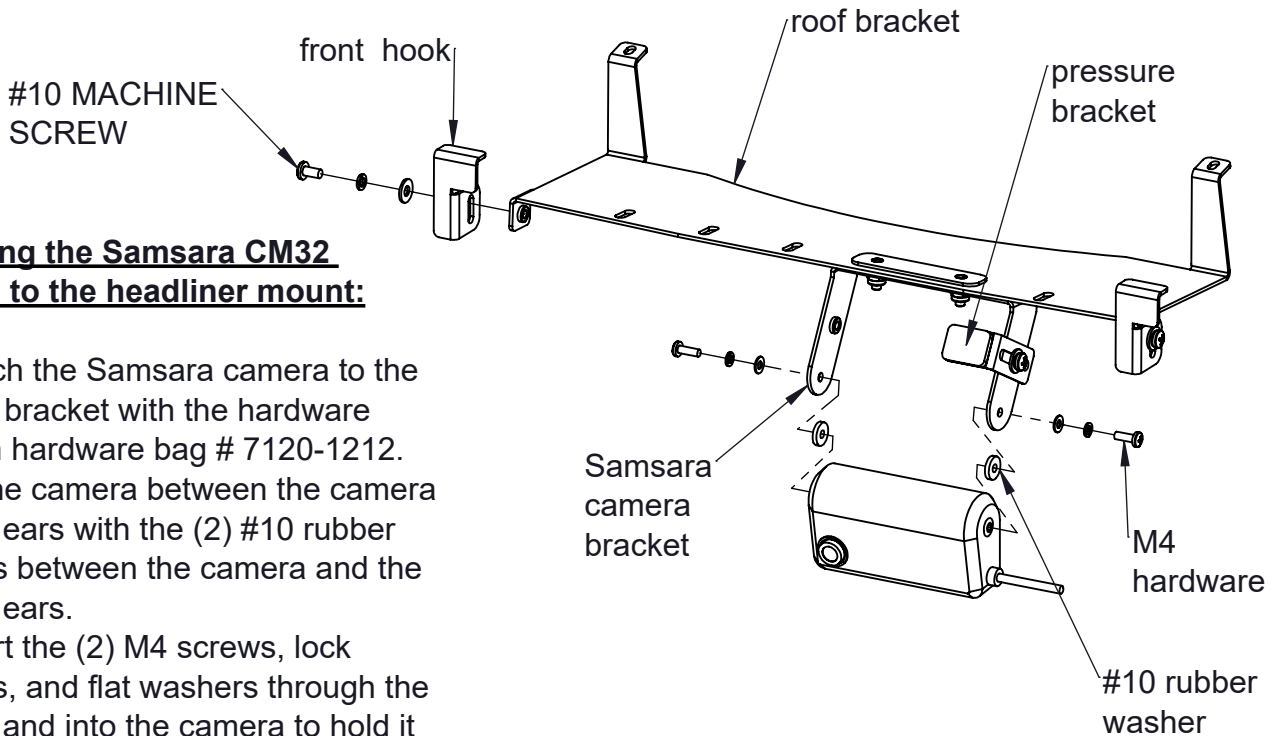


INSTALLATION INSTRUCTIONS

<u>Product</u>	<u>Revision</u>	<u>Form</u>
7160-1928, 7160-1979	Rev A	INST-1190
INTERNATIONAL LT HEADLINER CAMERA MOUNT		Printing Spec: PS-001

This instruction sheet is for mounting the International LT headliner camera mount in the vehicle. The different 7160 part numbers listed below are designed to hold different cameras. The main bracket is the same for both part numbers while the specific camera brackets are different for each camera.

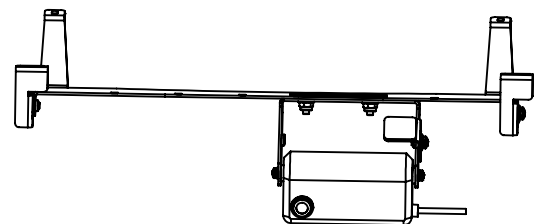
7160-1928 = International LT mount for a Samsara CM32 camera
 7160-1979 = International LT mount for a Lytx ER-SF300 camera.



Attaching the Samsara CM32 camera to the headliner mount:

1. Attach the Samsara camera to the camera bracket with the hardware found in hardware bag # 7120-1212. Insert the camera between the camera bracket ears with the (2) #10 rubber washers between the camera and the bracket ears.
2. Insert the (2) M4 screws, lock washers, and flat washers through the bracket and into the camera to hold it in place. Do not tighten the screws at this time.

VIEW SHOWING CAMERA ATTACHED



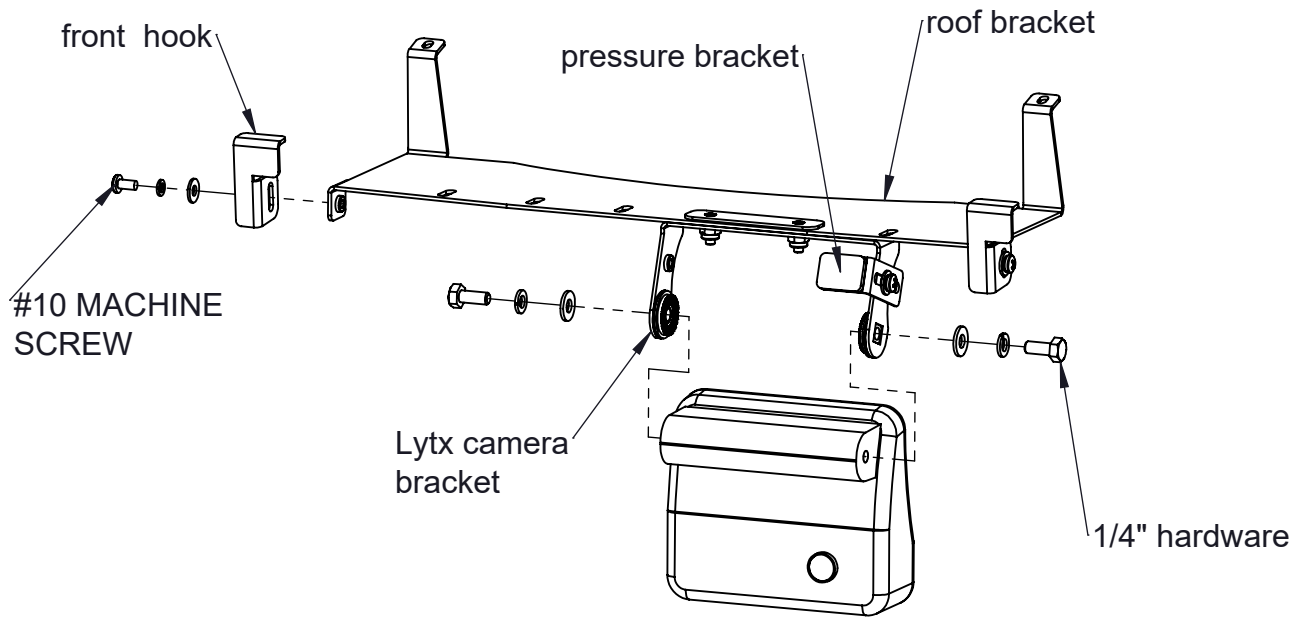
Product Mounting Disclaimer

Gamber-Johnson is not liable under any theory of contract or tort law for any loss, damage, personal injury, special, incidental or consequential damages for personal injury or other damage of any nature arising directly or indirectly as a result of the improper installation or use of its products in vehicle or any other application. In order to safely install and use Gamber-Johnson products full consideration of vehicle occupants, vehicle systems (i.e., the location of fuel lines, brake lines, electrical, drive train or other systems), air-bags and other safety equipment is required. Gamber-Johnson specifically disclaims any responsibility for the improper use or installation of its products not consistent with original vehicle manufactures specifications and recommendations, Gamber-Johnson product instruction sheets, or workmanship standards as endorsed through the Gamber-Johnson Certified Installer Program.

© Copyright 2024 Gamber-Johnson, LLC

If you need assistance or have questions, call Gamber-Johnson at 1-800-456-6868

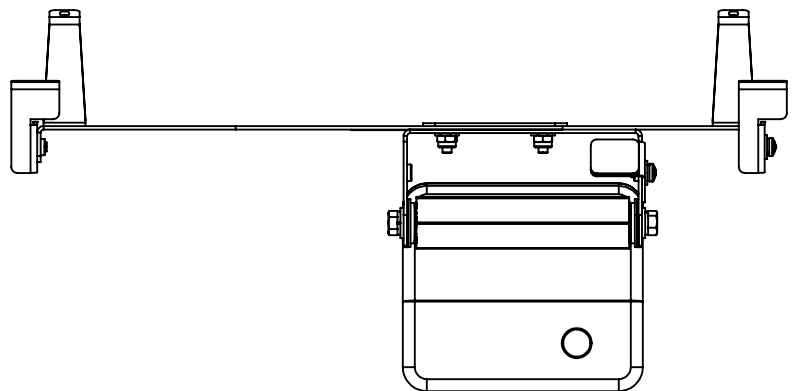




Attaching the Lytx ER-SF300 camera to the headliner mount:

1. Attach the Lytx camera to the camera bracket with the hardware found in hardware bag # 7120-1213. Insert the camera between the camera bracket ears.
2. Insert the (2) 1/4-20 hex bolts, lock washers, and flat washers through the bracket and into the camera to hold it in place. Do not tighten the screws at this time.

VIEW SHOWING
CAMERA ATTACHED



Attaching the camera mount to the headliner:

Note: The camera bracket has been pre-set into a particular set of mounting slots on the roof bracket. You can adjust the camera brackets to a different location if that best suits your particular setup.

3. Loosen the two #10 machine screws that attach the front retaining hooks to the mount. They should be able to swing freely. See pages 1 & 2
4. Remove the 2 interior screws that hold the sun visors to the roof at the center of the vehicle. (see picture on page 4).
5. Insert the two longer legs that stick upward into the pockets and reattach with the screws removed in step 4. **Note: the screws attach into plastic snap-in clips that spread apart when the screw is installed. Try not to strip the plastic clips if possible.**
6. Pull downward on the plastic headliner next to the windshield and rotate the front hooks (loosened in step 3) above the plastic headliner next to the windshield (**depending on how tight the headliner is, you might need to remove the front clips from the mount to get them inserted above the headliner, then reattach them to the mount**). This will help support the front of the mount. Push upward on the roof bracket and pull downward on the front hooks to take any slop out of the roof bracket and re-tighten the screws to hold the front hooks in place.
7. If the camera bracket is hitting the windshield, the bracket can be adjusted by loosening the (2) #10 lock nuts that hold the camera bracket to the roof bracket. The side to side angle of the camera can also be adjusted at this same location. Adjust as needed, then re-tighten the lock nuts in place.
8. Adjust the pressure bracket against the windshield, by loosening the #10 machine screw that holds the bracket in place, adjust the bracket outward until it is pressing on the windshield and re-tighten the screw to hold it in place. This will help eliminate vibration and bounce in the camera. **Note, the pressure bracket can be moved to the opposite side of the camera bracket if that location better suits your specific vehicle.**
9. Last, adjust the up and down camera angle to the desired position and tighten the mounting hardware that holds the camera in place (hardware installed in step 2).
10. Once powered, check the camera view position and make adjustments that best fit your specific camera angle requirements.

International headliner



headliner mount with Samsara camera attached



headliner mount with Lytx camera attached

