



INSTALLATION INSTRUCTIONS

Product

7160-1819-00, -01

14" WIDE BODY CONSOLE BOX WITH POCKET

Revision

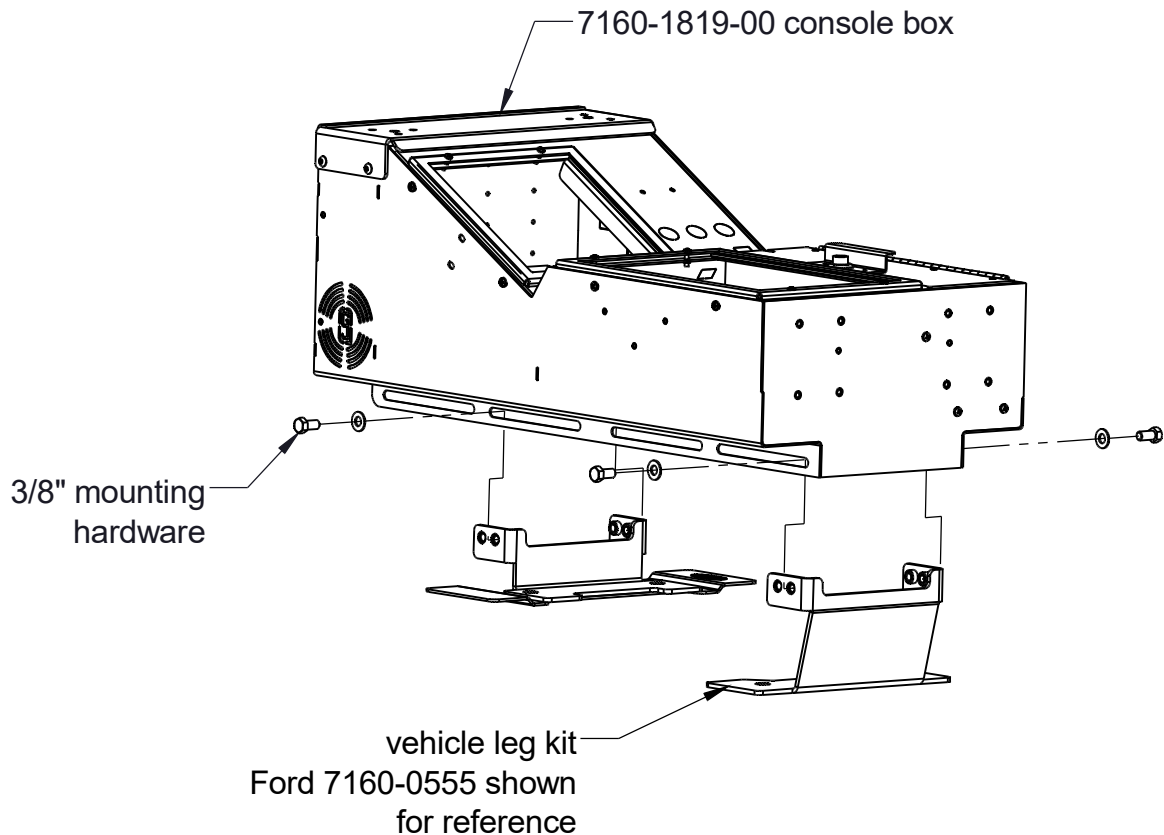
Rev A

Form

INST-1126

Printing Spec: PS-001

The 7160-1819 (14" wide body console box with pocket) is designed to attach to the Gamber-Johnson leg kits for full size trucks (Ford 7160-0555, Chevy & GMC 7160-1325, 7160-0509, 7160-1634, Dodge 7160-1383, 7160-0985, 7160-0422). Pick the Gamber-Johnson leg kit for your specific vehicle and install per the installation instructions supplied with the leg kit. The Ford 7160-0555 leg kit is shown below for reference. The console box is attached to the to leg kit with the 3/8" hardware supplied with the leg kit. Adjust the box forward as close to the dash as possible while still leaving access to any dash components and tighten the 3/8" hardware in place to fasten the console box to the leg kit.



Product Mounting Disclaimer

Gamber-Johnson is not liable under any theory of contract or tort law for any loss, damage, personal injury, special, incidental or consequential damages for personal injury or other damage of any nature arising directly or indirectly as a result of the improper installation or use of its products in vehicle or any other application. In order to safely install and use Gamber-Johnson products full consideration of vehicle occupants, vehicle systems (i.e., the location of fuel lines, brake lines, electrical, drive train or other systems), air-bags and other safety equipment is required. Gamber-Johnson specifically disclaims any responsibility for the improper use or installation of its products not consistent with original vehicle manufactures specifications and recommendations, Gamber-Johnson product instruction sheets, or workmanship standards as endorsed through the Gamber-Johnson Certified Installer Program.

© Copyright 2023 Gamber-Johnson, LLC

If you need assistance or have questions, call Gamber-Johnson at 1-800-456-6868