



# INSTALLATION INSTRUCTIONS

**Product**

7160-1724

2021+ FORD F-150 TOP OF DASH MOUNT

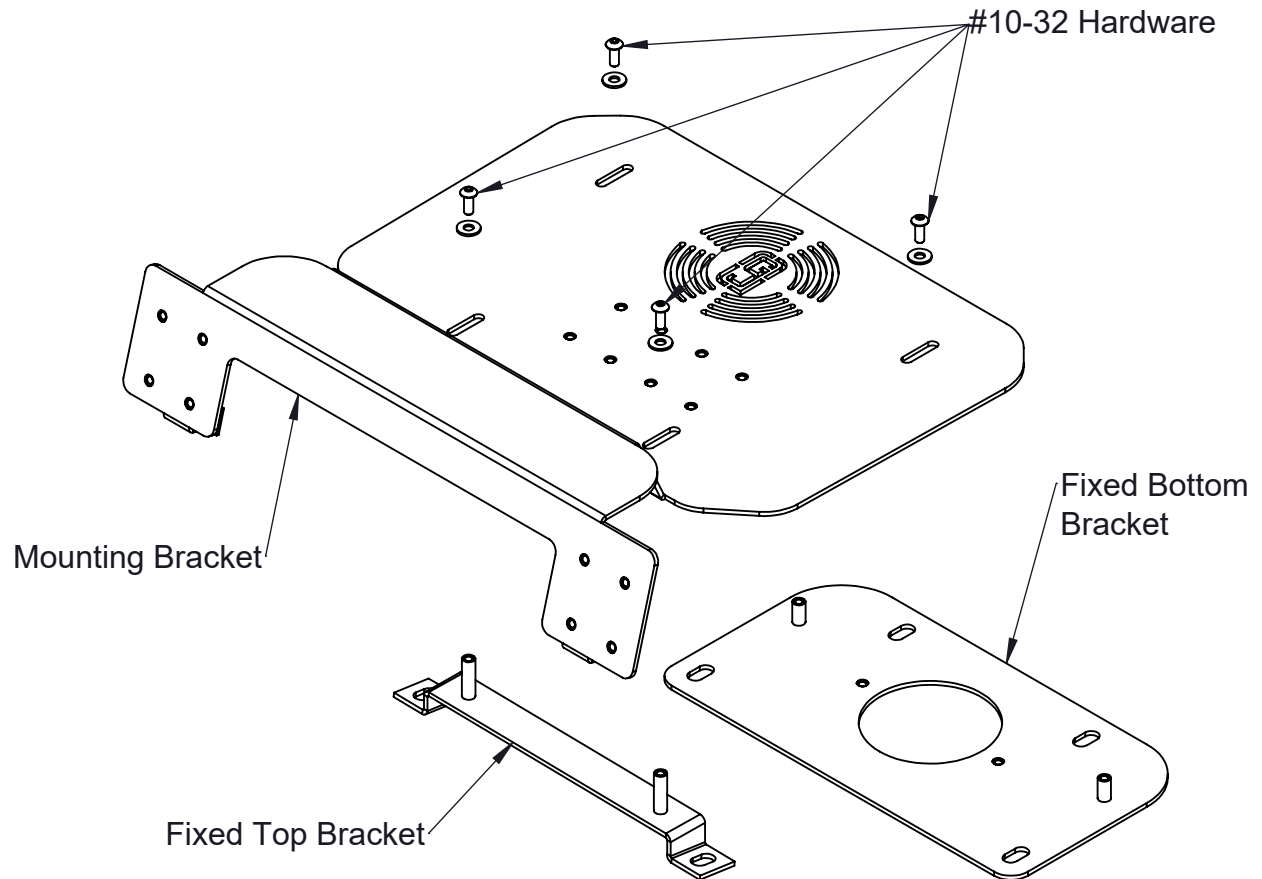
**Revision**

Rev A

**Form**

INST-1089

**Printing Spec:** PS-001



These instructions cover the installation of the 7160-1724 Gamber-Johnson F-150 Small Devices Top of Dash in 2021+ Ford F-150 trucks.

**Product Mounting Disclaimer**

Gamber-Johnson is not liable under any theory of contract or tort law for any loss, damage, personal injury, special, incidental or consequential damages for personal injury or other damage of any nature arising directly or indirectly as a result of the improper installation or use of its products in vehicle or any other application. In order to safely install and use Gamber-Johnson products full consideration of vehicle occupants, vehicle systems (i.e., the location of fuel lines, brake lines, electrical, drive train or other systems), air-bags and other safety equipment is required. Gamber-Johnson specifically disclaims any responsibility for the improper use or installation of its products not consistent with original vehicle manufactures specifications and recommendations, Gamber-Johnson product instruction sheets, or workmanship standards as endorsed through the Gamber-Johnson Certified Installer Program.

© Copyright 2022 Gamber-Johnson, LLC

If you need assistance or have questions, call Gamber-Johnson at 1-800-456-6868

To Install:

1. Remove OEM tray. Vehicle could have either option, with speaker or without. **With Speaker:** Remove tray liner first, then speaker covering by unclipping, remove speaker screws with 7mm socket, making sure to disconnect wires before fully removing. **Without Speaker:** Just remove tray liner. Once liner and speaker are removed, remove (2) screws holding back of tray with a 7mm socket. Remove entire OEM tray by unclipping.



Fig. 1 With Speaker



Fig. 2 Without Speaker

Speaker Screws

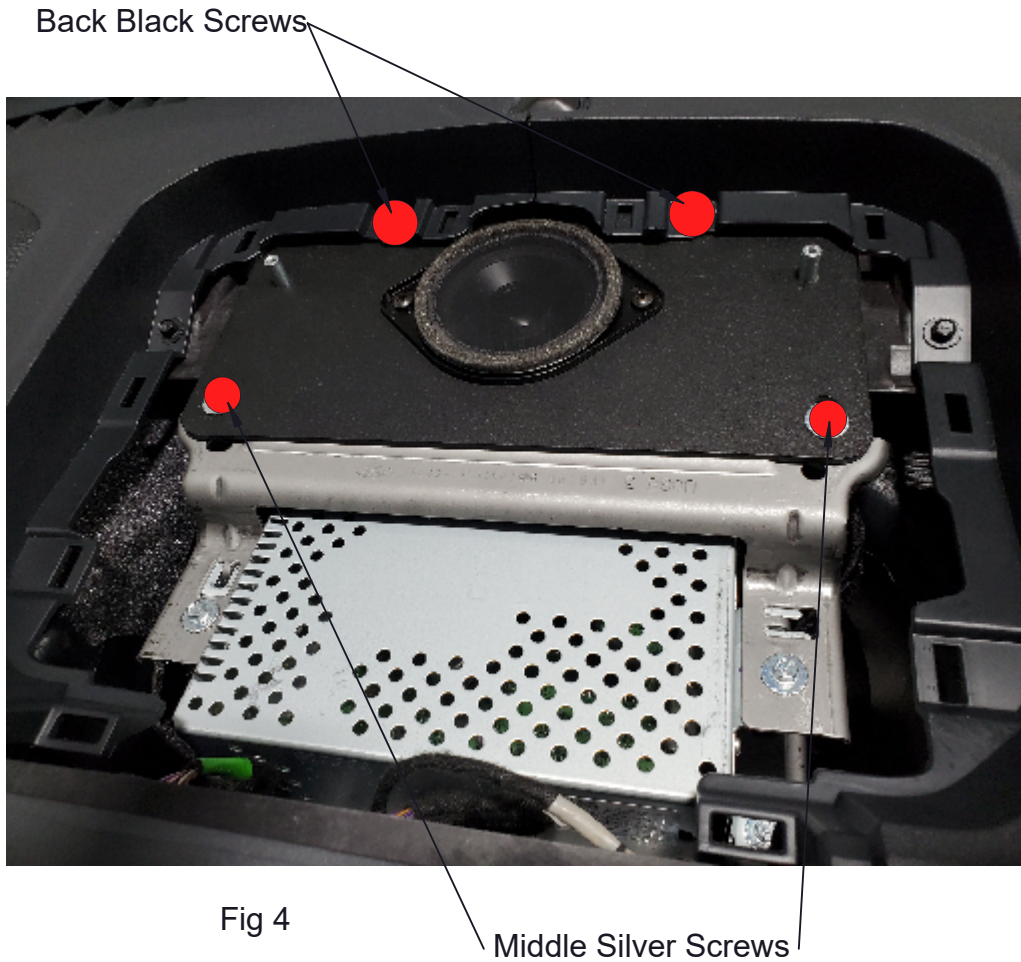
Back Screws



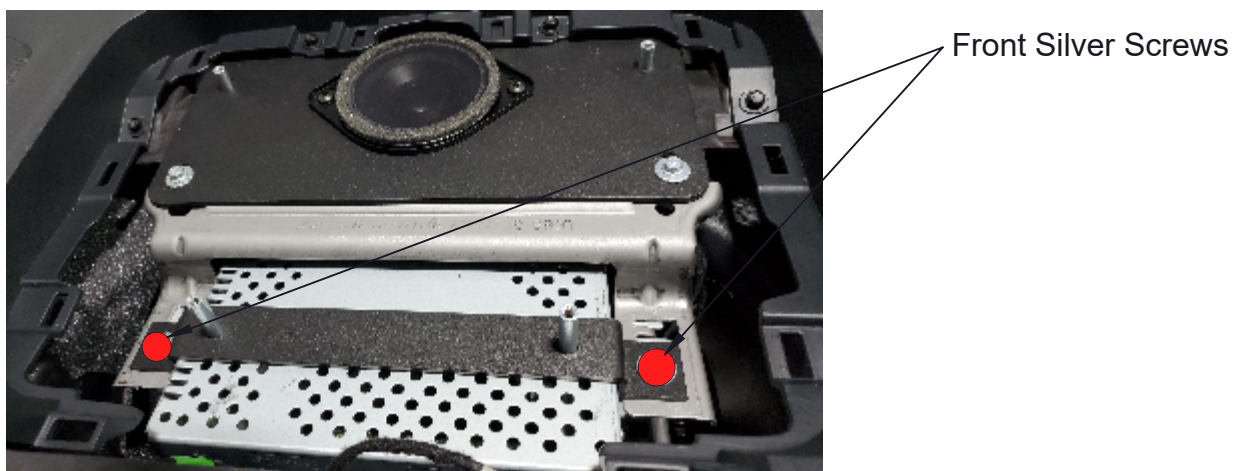
Fig. 3

2. SKIP STEP IF VEHICLE DOES NOT HAVE SPEAKER. If vehicle has speaker option, attach speaker onto Fixed Bottom Bracket with provided (2) #10-32 screw. REMINDER: Make sure to reattach speaker wires before attaching Fixed Bottom Bracket to vehicle.

3. Attach Fixed Bottom Bracket. First remove back (2) black screws and middle (2) silver screws with 7mm socket. Slide Bracket under plastic lining in the back. Loosely reattach all (4) screws, push Fixed Bottom Bracket fully back. Tighten all (4) screws, fully securing Bracket.



4. Attach Fixed Top Bracket. Remove front (2) silver screws with 7mm socket. Attach Fixed Top Bracket with just removed hardware.



5. Attach Mounting Bracket to fixed brackets. Line up (4) slots with standoffs from both fixed brackets. Insert provided (4) #10-32 screws and washers loosely. Push plate fully towards the back and tighten down all screws.

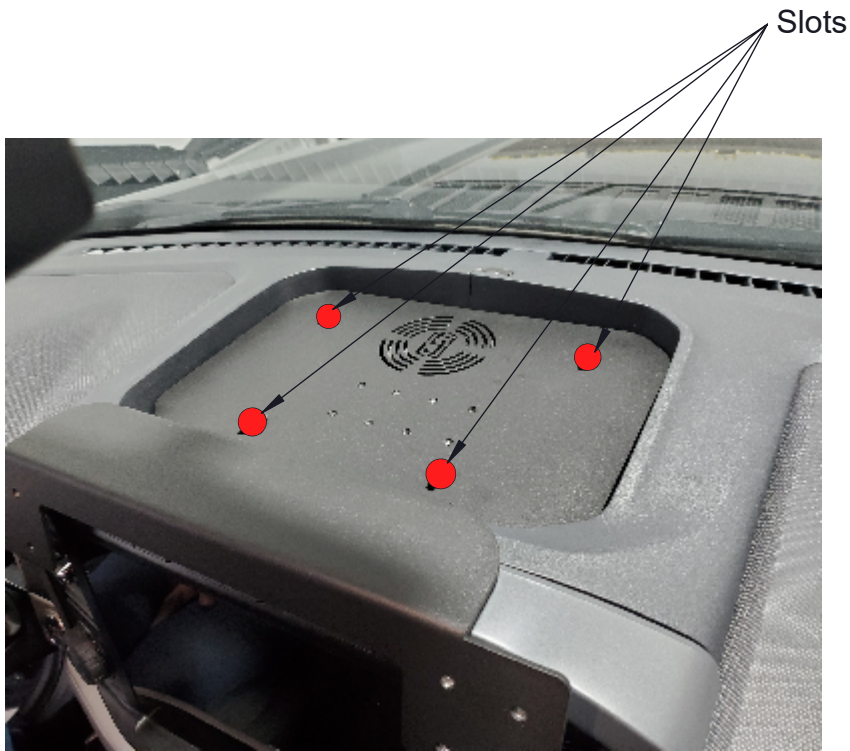


Fig 6