



INSTALLATION INSTRUCTIONS

Product

7160-1655

LIND POWER AND TIMER POLE MOUNTING BRACKET

Revision

Rev A

Form

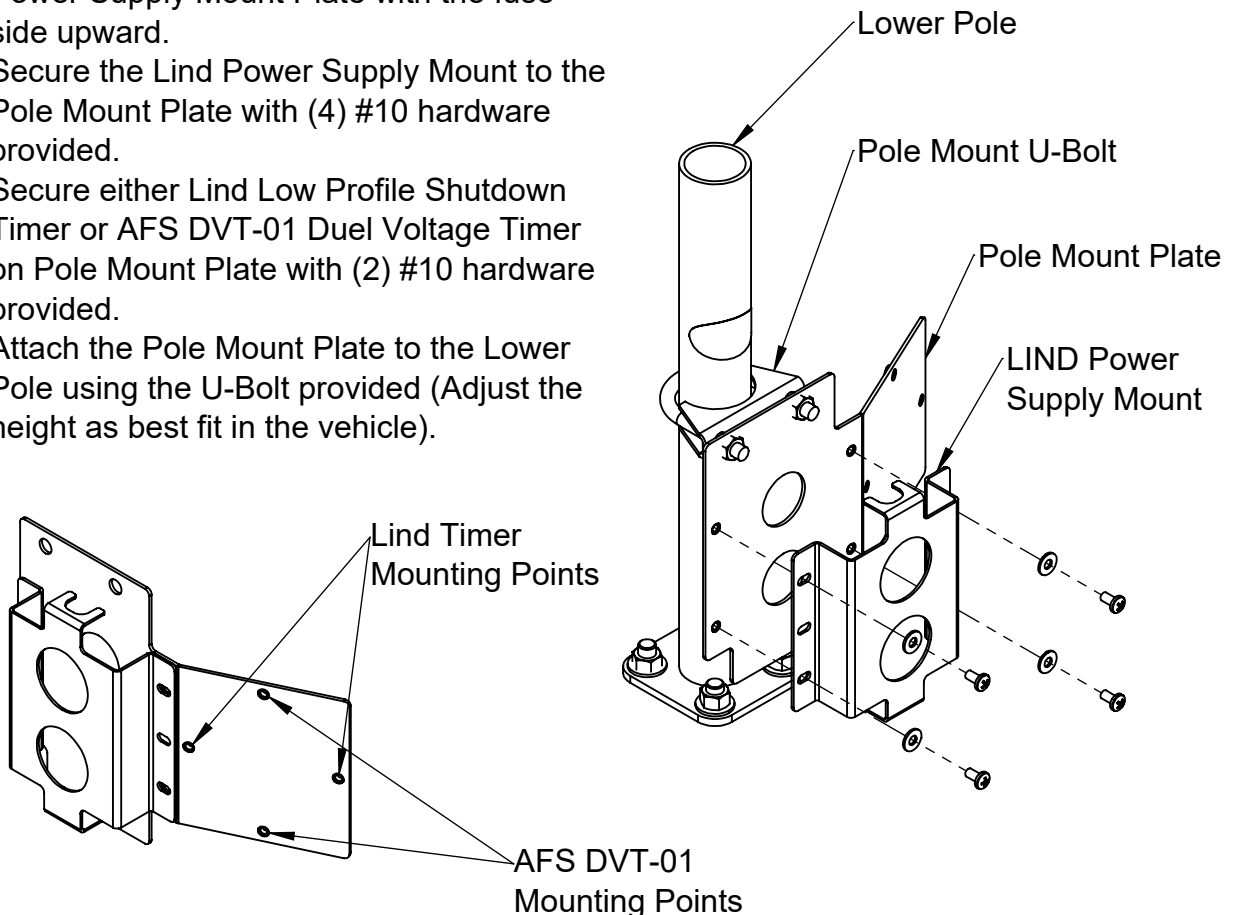
INST-1039

Printing Spec: PS-001

This instruction sheet is for installing a LIND power supply and timer pole mounting bracket to an existing lower pole.

To Install:

1. Place the Lind power supply in the Lind Power Supply Mount Plate with the fuse side upward.
2. Secure the Lind Power Supply Mount to the Pole Mount Plate with (4) #10 hardware provided.
3. Secure either Lind Low Profile Shutdown Timer or AFS DVT-01 Duel Voltage Timer on Pole Mount Plate with (2) #10 hardware provided.
4. Attach the Pole Mount Plate to the Lower Pole using the U-Bolt provided (Adjust the height as best fit in the vehicle).



Product Mounting Disclaimer

Gamber-Johnson is not liable under any theory of contract or tort law for any loss, damage, personal injury, special, incidental or consequential damages for personal injury or other damage of any nature arising directly or indirectly as a result of the improper installation or use of its products in vehicle or any other application. In order to safely install and use Gamber-Johnson products full consideration of vehicle occupants, vehicle systems (i.e., the location of fuel lines, brake lines, electrical, drive train or other systems), air-bags and other safety equipment is required. Gamber-Johnson specifically disclaims any responsibility for the improper use or installation of its products not consistent with original vehicle manufactures specifications and recommendations, Gamber-Johnson product instruction sheets, or workmanship standards as endorsed through the Gamber-Johnson Certified Installer Program.

© Copyright 2021 Gamber-Johnson, LLC

If you need assistance or have questions, call Gamber-Johnson at 1-800-456-6868