



INSTALLATION INSTRUCTIONS

Product

7160-1148-XX

SAMSUNG TAB ACT2 LITE CRADLE W/POWER Printing Spec:PS-004

Revision

REV F

Form

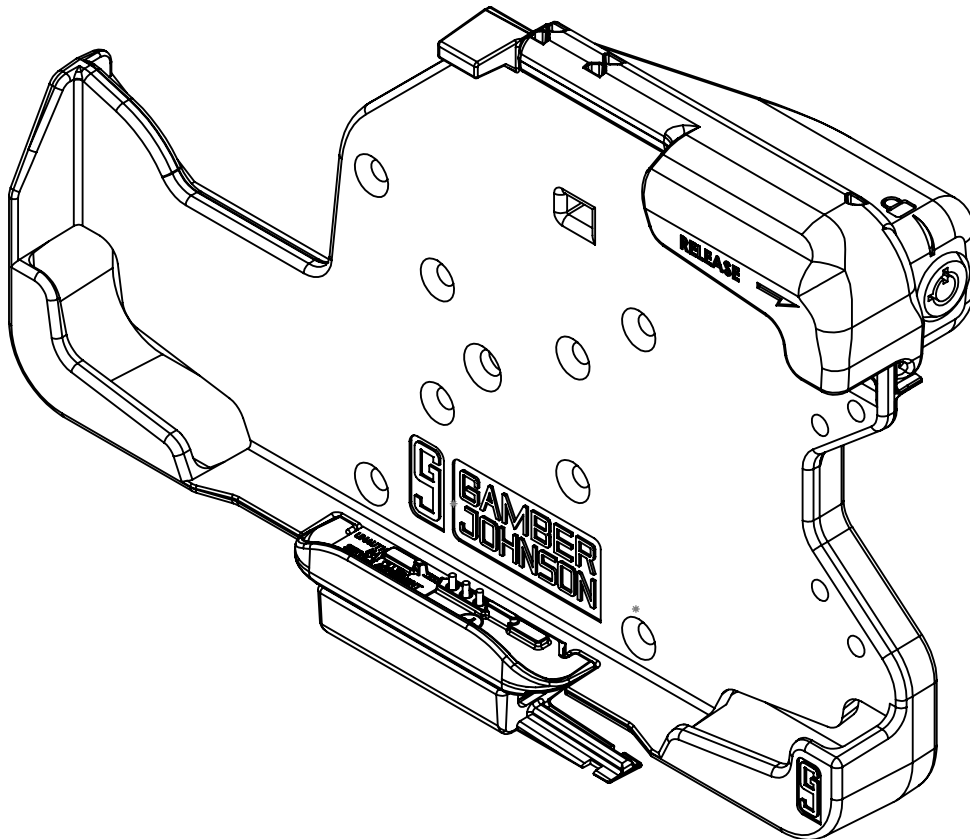
INST-847

This instruction sheet is for the following products:

Item No. 7160-1148-00, 7160-1148-10, 7160-1148-11 & 7160-1148-20

This instruction sheet is for the Samsung Tab Active2 Lite Cradle W/Power only. For instructions on features, set-up, and operation of the Tablet, please refer to the manual provided by Samsung with the Tablet.

This cradle is designed to be used with a variety of Gamber-Johnson mounting systems. Installation instructions for other Gamber-Johnson products are provided with each individual product.



Product Mounting Disclaimer

Gamber-Johnson is not liable under any theory of contract or tort law for any loss, damage, personal injury, special, incidental or consequential damages for personal injury or other damage of any nature arising directly or indirectly as a result of the improper installation or use of its products in vehicle or any other application. In order to safely install and use Gamber-Johnson products full consideration of vehicle occupants, vehicle systems (i.e., the location of fuel lines, brakes lines, electrical, drive train or other systems), air-bags and other safety equipment is required. Gamber-Johnson specifically disclaims any responsibility for the improper use or installation of its products not consistent with the original vehicle manufactures specifications and recommendations, Gamber-Johnson product instruction sheets, or workmanship standards as endorsed through the Gamber-Johnson Certified Installer Program.

PRE-INSTALLATION RECOMMENDATIONS

Conduct a "Bench Test"

Gamber-Johnson strongly advises a "bench test" be conducted to verify all electronic and software issues are resolved prior to installation:

1. Make sure the computer is operational by itself.
2. Insert computer into the docking station and verify that the computer is operating in the dock and battery is charging.

Gamber-Johnson recommends positioning of all mounts and equipment in the vehicle prior to the actual install to verify that mounting locations are safe and practical.

IMPORTANT SAFETY INFORMATION FOR INSTALLERS

Safety is dependent on the proper installation and servicing of this docking station. It is important to read and follow all instructions before installing this product.

To properly install a Gamber-Johnson docking station you must have a good understanding of automotive electrical procedures and systems, along with proficiency in the installation and service of aftermarket vehicle equipment.

There are no adjustments required at any time of the electrical components within the docking station. **Opening the docking station will void the product warranty.**

During Installation:

DO NOT connect this docking station to the vehicle battery until:

1. All other electrical connections are made
2. Mounting of all components is complete
3. Verification that no shorts exist in the entire system

DO NOT install equipment or route wiring or cords in the deployment path of any air bag.

When drilling into the vehicle, DO make sure that both sides of the surface are clear of anything that could be damaged.

CAUTION: *If wiring is shorted to the frame, high current conductors can cause hazardous sparks resulting in electrical fires or flying molten metal.*

After installation:

Test the docking station to ensure that it is working properly.

File these instructions in a safe place and refer to them when performing maintenance or re-installing.

WARNING: *Failure to follow all safety precautions and instructions may result in property damage, serious injury, or death.*

SAMSUNG TAB ACTIVE2 LITE CRADLE FEATURE IDENTIFICATION

POWERED POGO PINS

(USE PROVIDED HARDWARE)

SLIDER
OPENS/CLOSES

LOCK

MOUNTING PATTERN
(USE PROVIDED HARDWARE)

MOUNTING PATTERN
AMPS PATTERN

USB-C MINI-FOR POWER

MOUNTING PATTERN

ZIRKONA ATTACHMENT
(SOLD SEPARATELY)

STRAIN RELIEF HOLES
FOR CABLE TIES



MOUNTING PATTERN
75MM VESA PATTERN

STRAIN RELIEF

SAMSUNG TAB ACTIVE2 LITE CRADLE POWER SUPPLY INFORMATION

POWER SUPPLY INFORMATION

This docking station has an add on power supply and is designed to be used with a 12 volt or 24 volt DC systems only. The voltage output is factory set at 5 Volts

WIRING INSTRUCTIONS

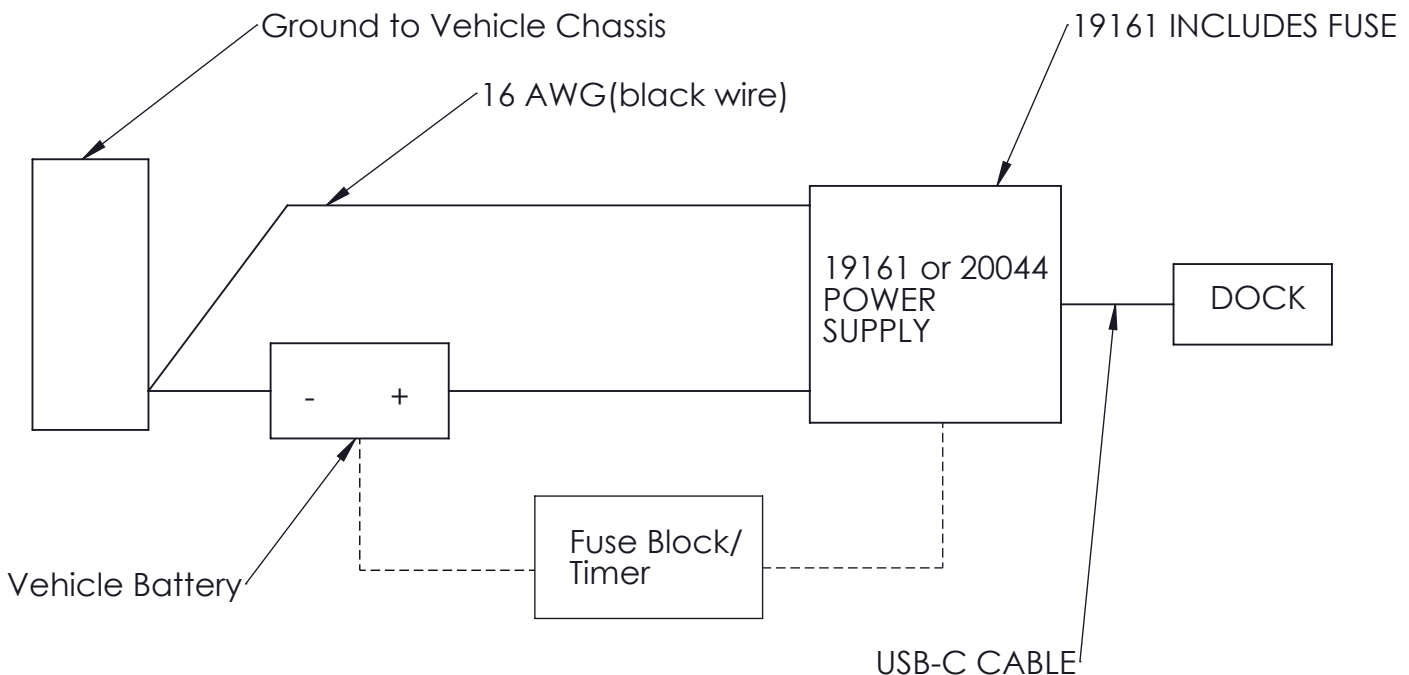
IMPORTANT! Make sure that you have read this entire section before you begin wiring! Please refer to Figure 1

1. Install docking station into the vehicle, making sure that all bolts are tight.
2. Attach BLACK ground wire to the location where the vehicle battery grounds to vehicle chassis. (See Figure 1)
3. Connect the RED wire to the supply voltage (V+) from the vehicle. (See Figure 1)

IMPORTANT REMINDERS

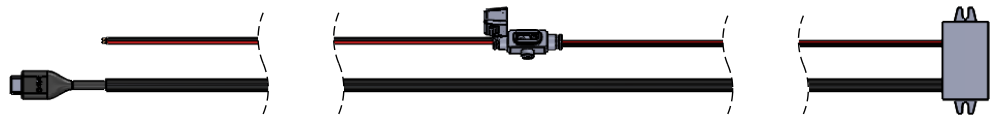
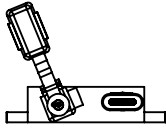
- Use only SAE J1128 Type GPT number 16 AWG stranded wire (minimum) to attach the docking station to the vehicles electrical system.
- Route the lead wires to the battery. Total wire in the circuit must not exceed 30 feet and must conform to SAE J1128 standard.
- Protect the lead wires from the abrasion and chafing by using wire loom or conduit and route away from moving parts or areas where high temperatures may occur.
- Connection of supply voltage (V+) must be kept as close to the battery as possible.
- Caution: For continued protection against risk of fire, replace only with the same type and rating of supplied fuse. The provided fuse is rated at 2 amps and below 32 volt DC.
- If a timing device is used, follow the instructions of the manufacturer of that device. It must be wired in-line with the supply voltage (V+) to the docking station.
- If you have any installation questions, please call Gamber-Johnson customer support at 1-800-456-6868.

FIGURE 1

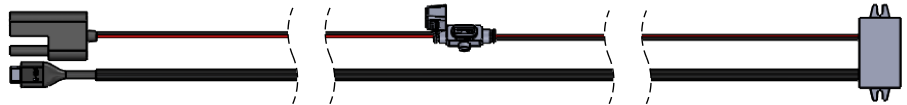
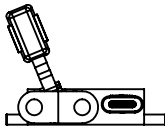


Power Supply

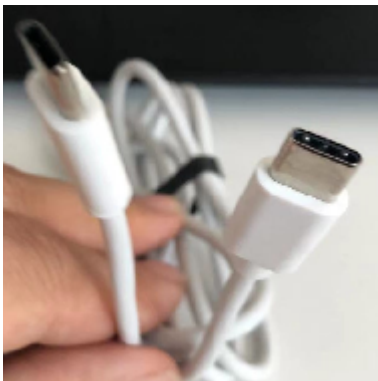
19161 POWER SUPPLY WITH FUSE & USB-C PLUG



20044 SAE 2 -PIN TRAILER PLUG



Type: Automotive (Non-isolated)
Input Voltage: 12-24V
Output Voltage: 5V
Output Current: 3A



17377 USB-C MALE TO MALE 1.2M CHARGE CABLE
17376 CIGARETTE POWER ADAPTER WITH PD

INSERTING AND REMOVING THE TABLET

2. Insert Tablet



1. Verify Latch is OPEN

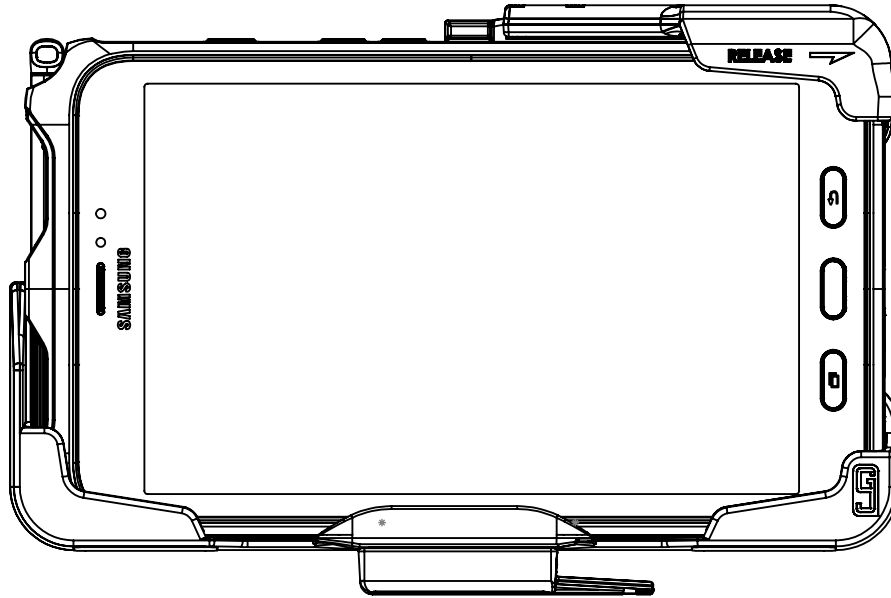


3. ROTATE AND LOWER THE TABLET INTO THE CRADLE PUSH BACK UNTIL IT SEATS

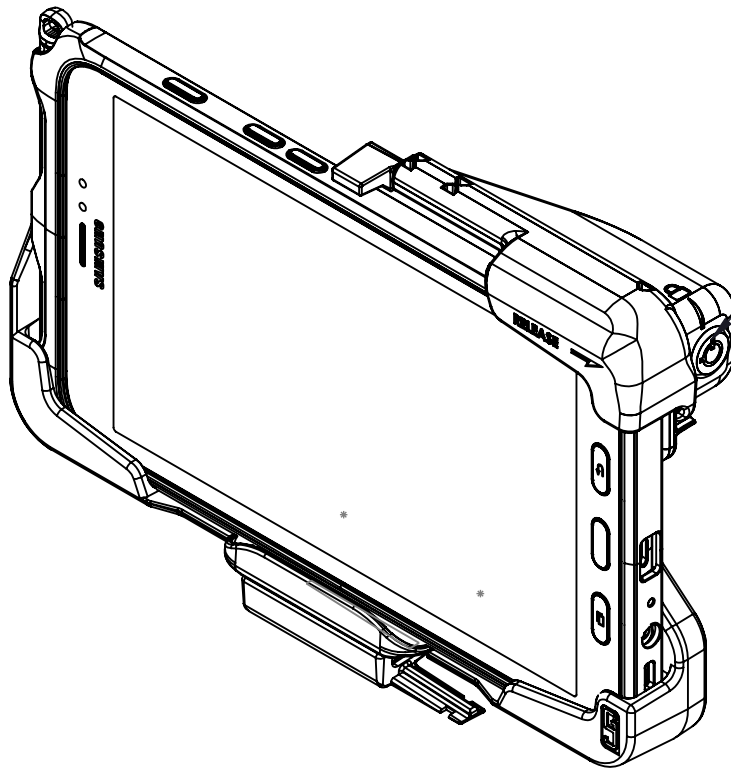


INSERTING AND REMOVING THE TABLET

4. PUSH SLIDER TO LATCH



5. USE KEY TO LOCK CRADLE (OPTIONAL)



TO REMOVE THE TABLET, UNLOCK, OPEN THE SLIDER, ROTATE AND PULL THE TABLET OUT OF THE CRADLE.

CABLE MANAGEMENT



Cable tied to dock

Regulatory Certification Information

Regulatory Model #: 7160-1148

GJ Model #'s: 7160-1148-00, 7160-1148-10, 7160-1148-11, 7160-1148-20

Descriptions: Cradle-Samsung-TabActive 2 No RF, CIG Adapter Lead
Cradle-Samsung-TabActive 2 No RF, Bare Wire Lead

Certifications:

- EN 55032:2012 CISPR 22:2008 Class A
- EN 50581:2012
- IEC 60950-1/A1:2009
- EN 60950-1/A12:2011
- CAN/CSA C22.2 No. 60950-1/A1:2011
- UL 60950-1/R:2011-12

This device complies with Part 15 of the FCC Rules. Operation is subject to the following two conditions. (1) this device may not cause harmful interference, and (2) this device must accept any interference received, including interference that may cause undesired operation.



Gamber-Johnson LLC, 3001 Borham Ave.,
Stevens Point, WI, 54481, USA, 715-344-3482