



# INSTALLATION INSTRUCTIONS

**Product**

**7160-1002-00**

**SAMSUNG TAB ACTIVE2 LITE CRADLE**

**Revision**

Rev B

**Form**

INST-801

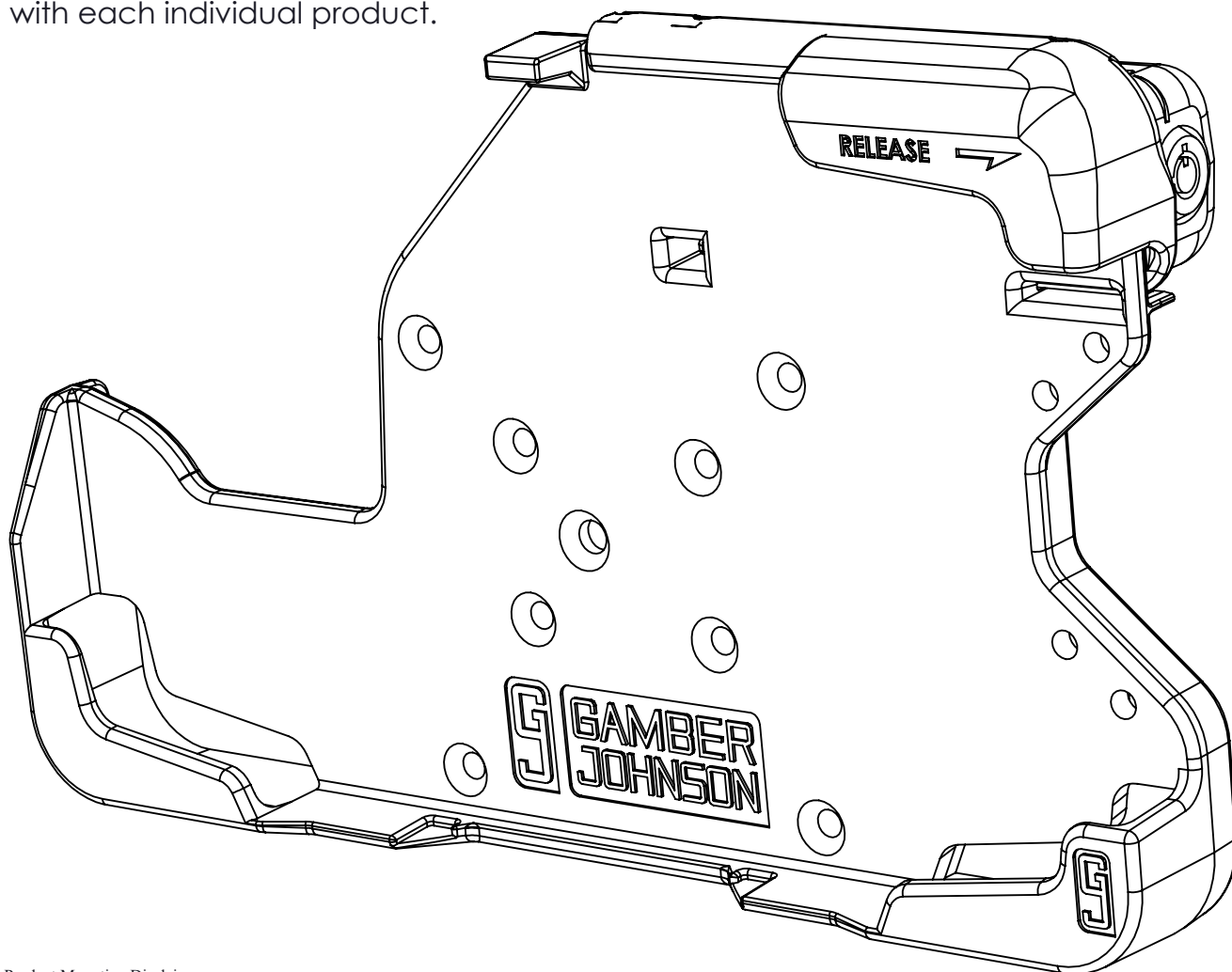
**Printing Spec:PS-004**

This instruction sheet is for the following products:

**Item No. 7160-1002-00**

This instruction sheet is for the Samsung Tab Active2 Lite Cradle only. For instructions on features, set-up, and operation of the Tablet, please refer to the manual provided by Samsung with the Tablet.

This cradle is designed to be used with a variety of Gamber-Johnson mounting systems. Installation instructions for other Gamber-Johnson products are provided with each individual product.



**Product Mounting Disclaimer**

Gamber-Johnson is not liable under any theory of contract or tort law for any loss, damage, personal injury, special, incidental or consequential damages for personal injury or other damage of any nature arising directly or indirectly as a result of the improper installation or use of its products in vehicle or any other application. In order to safely install and use Gamber-Johnson products full consideration of vehicle occupants, vehicle systems(i.e., the location of fuel lines, brake lines, electrical, drive train or other systems), air-bags and other safety equipment is required. Gamber-Johnson specifically disclaims any responsibility for the improper use or installation of its products not consistent with the original vehicle manufactures specifications and recommendations, Gamber-Johnson product instruction sheets, or workmanship standards as endorsed through the Gamber-Johnson Certified Installer Program.

© Copyright 2017 Gamber-Johnson, LLC

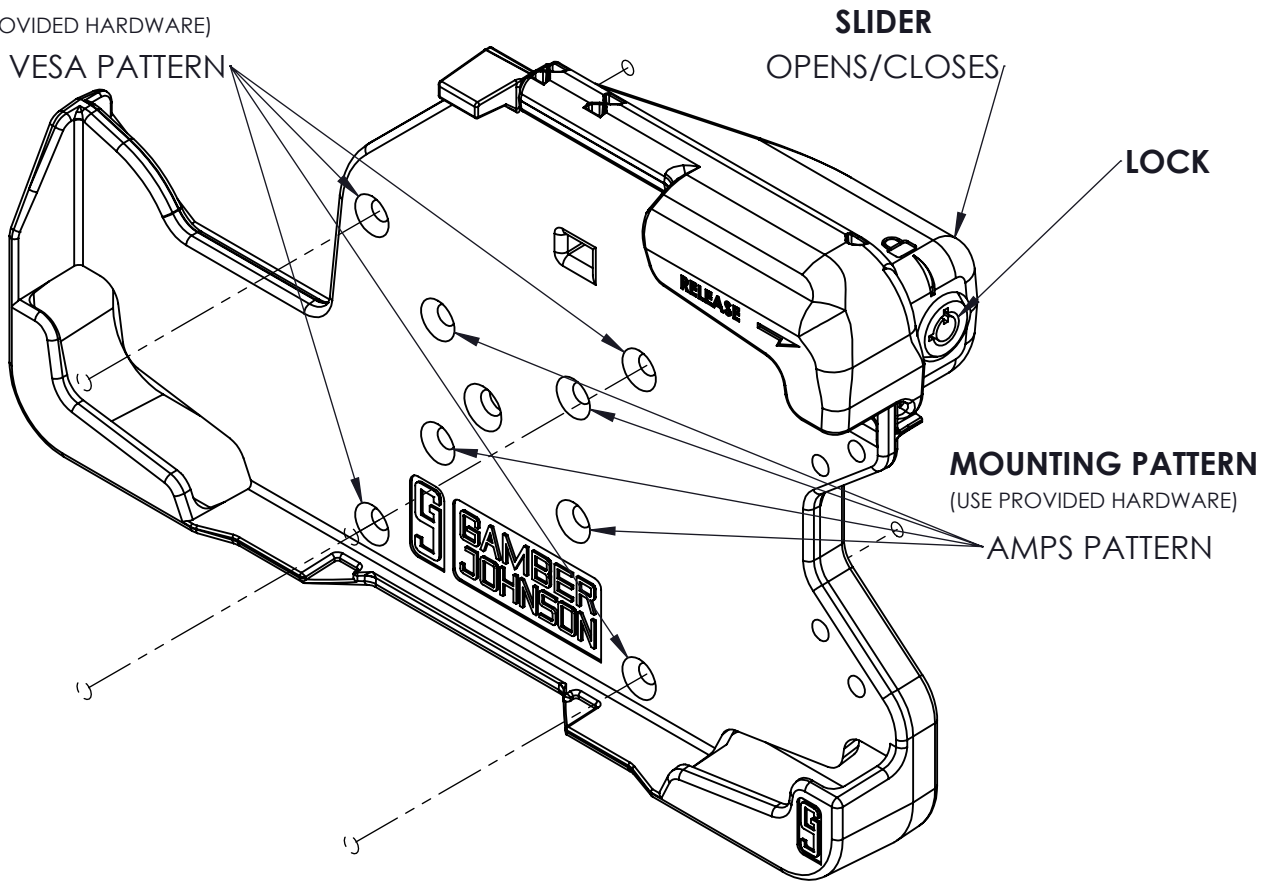
If you need assistance or have questions, call Gamber-Johnson at 1-800-456-6868

# SAMSUNG TAB ACTIVE2 LITE CRADLE FEATURE IDENTIFICATION

## MOUNTING PATTERN

(USE PROVIDED HARDWARE)

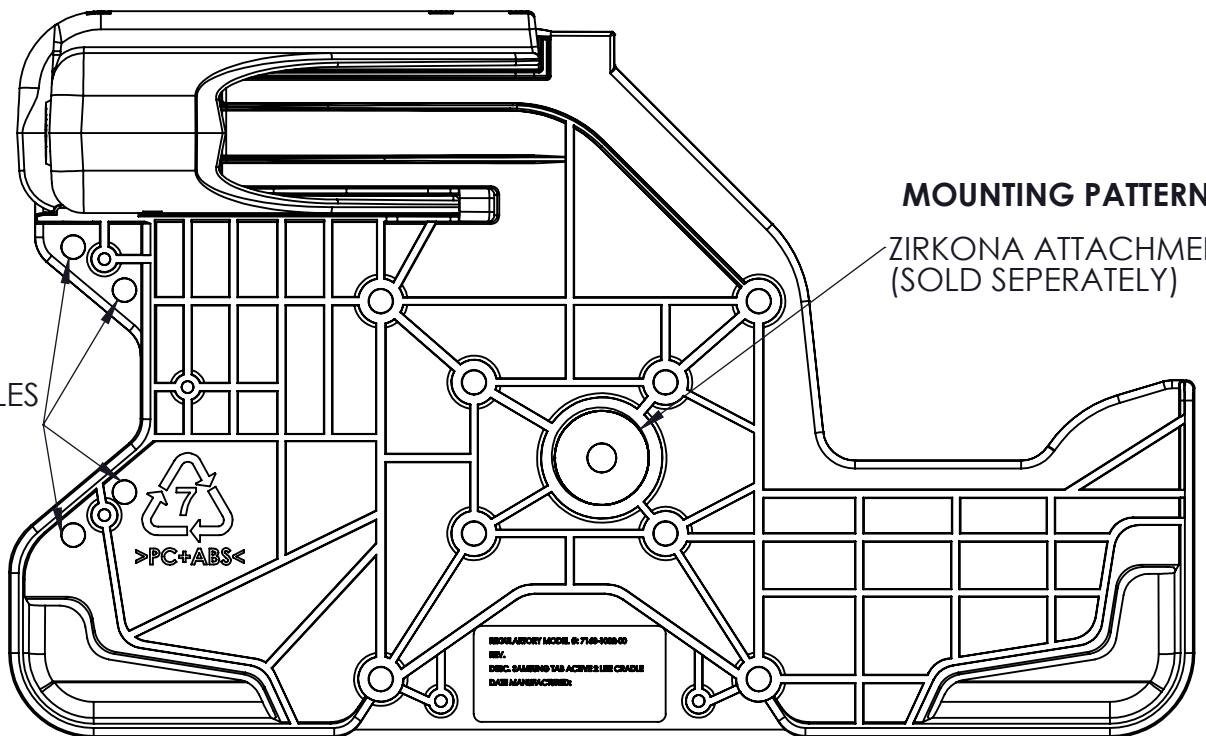
75MM VESA PATTERN



## MOUNTING PATTERN

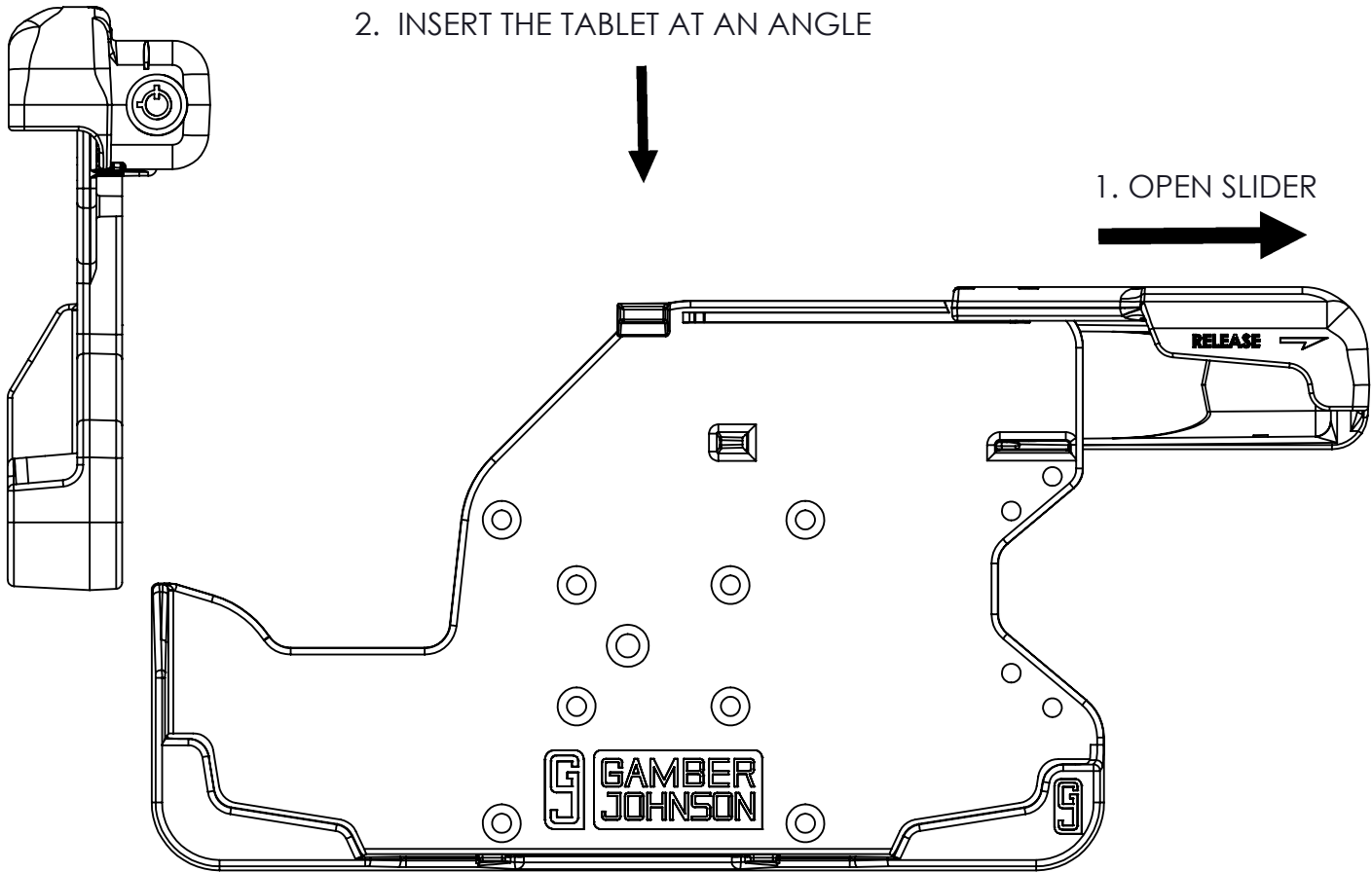
ZIRKONA ATTACHMENT  
(SOLD SEPERATELY)

STRAIN RELIEF HOLES  
FOR CABLE TIES

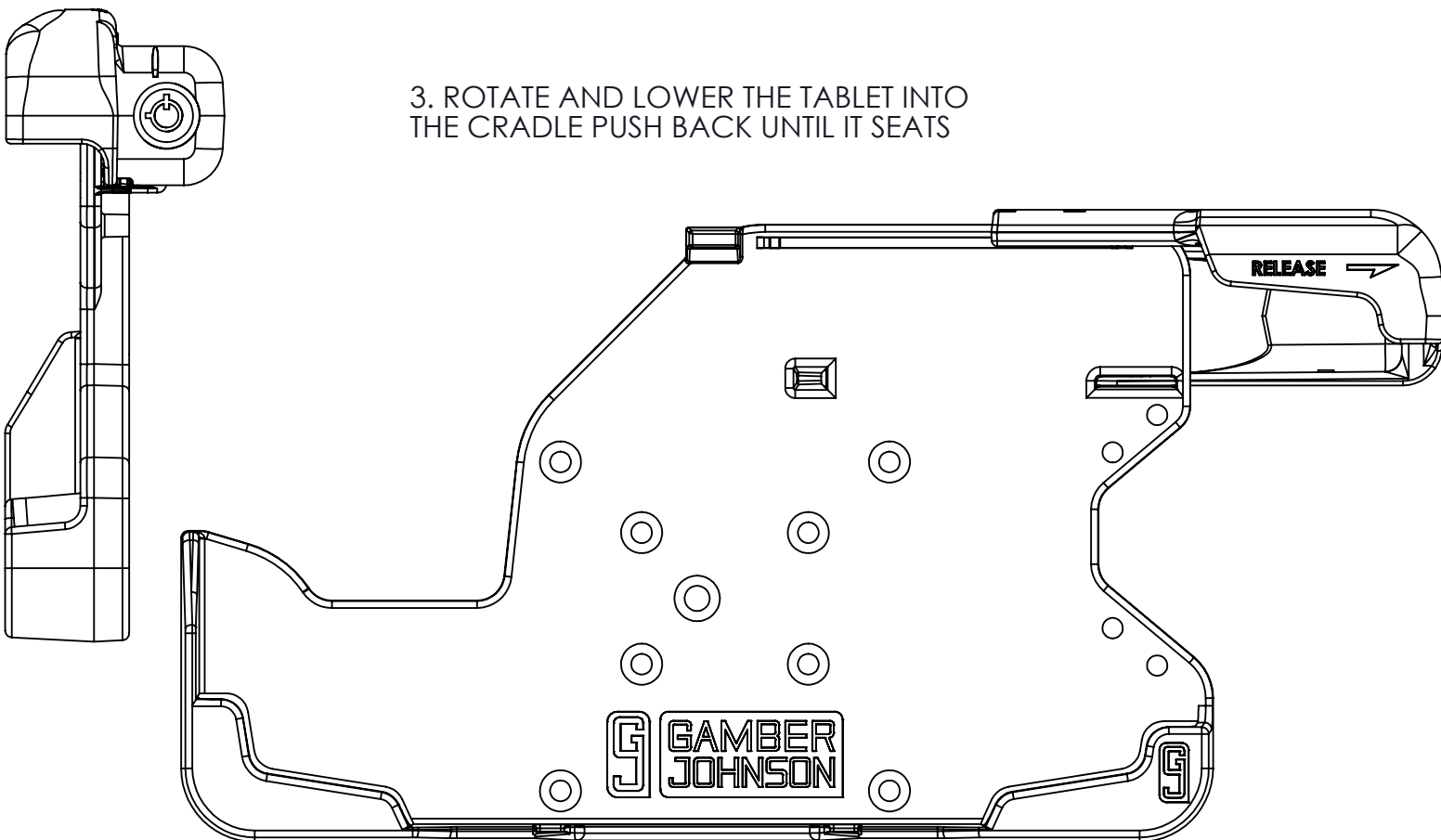


# INSERTING AND REMOVING THE TABLET

2. INSERT THE TABLET AT AN ANGLE

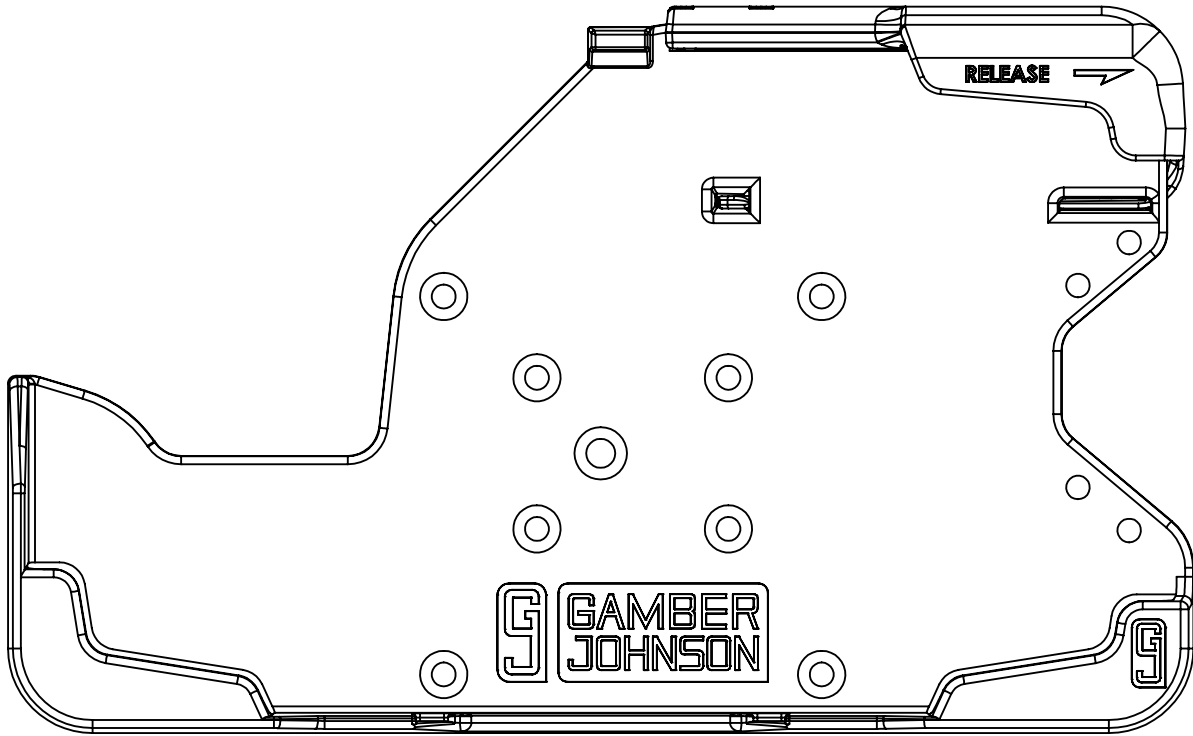


3. ROTATE AND LOWER THE TABLET INTO THE CRADLE PUSH BACK UNTIL IT SEATS

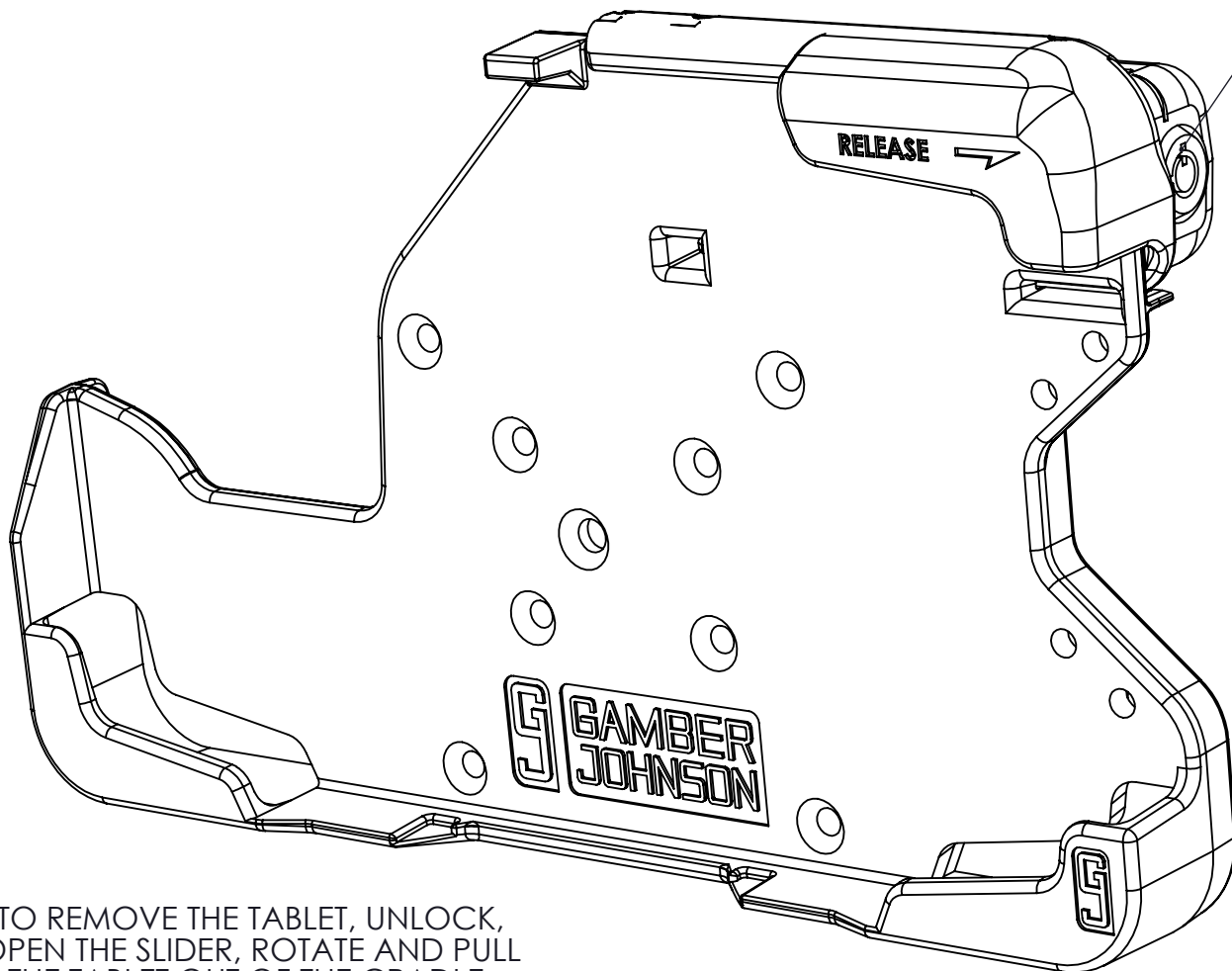


# INSERTING AND REMOVING THE TABLET

4. PUSH SLIDER TO LATCH



5. USE KEY TO LOCK CRADLE  
(OPTIONAL)



TO REMOVE THE TABLET, UNLOCK,  
OPEN THE SLIDER, ROTATE AND PULL  
THE TABLET OUT OF THE CRADLE.

# POWER ADAPTER HARDWARE



17377 CIGARETTE POWER ADAPTER WITH PD (2.1A output)

INPUT: 12-24Vdc

OUTPUT SOURCE 1: USB-C with PD PROTOCOL  
OUTPUT SOURCE 2: USB-A with QC PROTOCOL



17377 6 FEET USB CABLE

USB TYPE C to TYPE C