



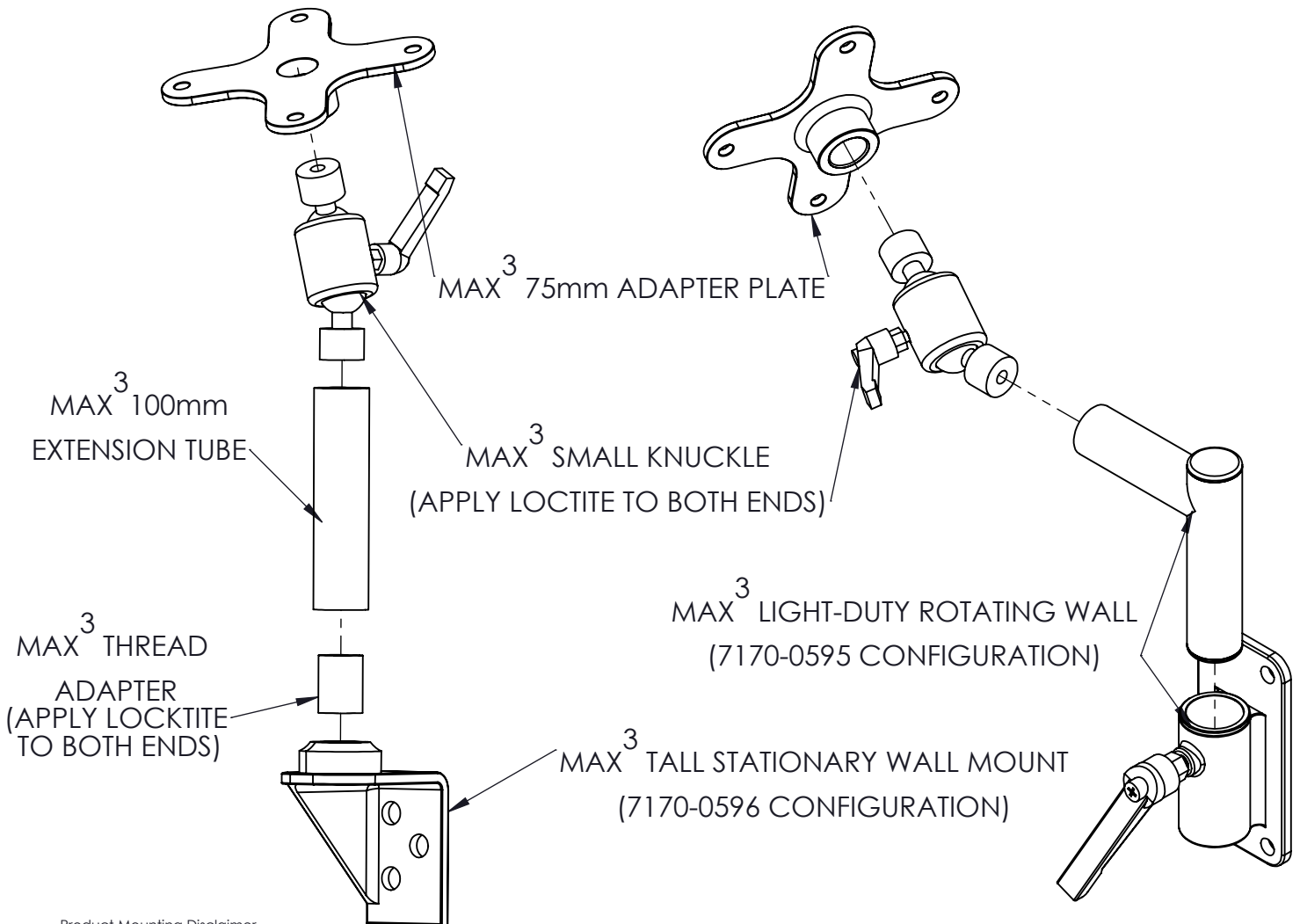
# INSTALLATION INSTRUCTIONS

<u>Product</u>	<u>Revision</u>	<u>Form</u>
<b>7170-0595 &amp; 7170-0596</b> <b>LIGHT-DUTY ROTATING WALL MOUNT</b> <b>TALL STATIONARY WALL MOUNT</b>	REV A	INST-796
		Printing Spec:PS-001

This instruction sheet covers the installation of the Gamber-Johnson(7170-0595 & 7170-0596). This kit is intended to mount a dock/cradle to a wall and not intended for use in a vehicle.

Figures below show the correct assembly procedure.

The installer is responsible for supplying hardware (type, size, quantity ) for the surface. (example: Lag Screws, Machine Bolts, Concrete Anchors).



**Product Mounting Disclaimer**

Gamber-Johnson is not liable under any theory of contract or tort law for any loss, damage, personal injury, special, incidental or consequential damages for personal injury or other damage of any nature arising directly or indirectly as a result of the improper installation or use of its products in vehicle or any other application. In order to safely install and use Gamber-Johnson products full consideration of vehicle occupants, vehicle systems (i.e., the location of fuel lines, brakes lines, electrical, drive train or other systems), air-bags and other safety equipment is required. Gamber-Johnson specifically disclaims any responsibility for the improper use or installation of its products not consistent with the original vehicle manufactures specifications and recommendations, Gamber-Johnson product instruction sheets, or workmanship standards as endorsed through the Gamber-Johnson Certified Installer Program.

© Copyright 2017 Gamber-Johnson, LLC

If you need assistance or have questions, call Gamber-Johnson at 1-800-456-6868