



INSTALLATION INSTRUCTIONS

<u>Product</u> 7160-1937-XX GETAC ZX80 TABLET CRADLE	<u>Revision</u> Rev B	<u>Form</u> INST-1177 Printing Spec: PS-001
---	---------------------------------	---

This instruction sheet is for the Getac ZX80 Tablet Cradle. For instructions on features, set-up, and operation of the Getac ZX80 Tablet, please refer to the manual provided by Getac with the Tablet.

This Cradle is designed to be used with a variety of Gamber-Johnson mounting systems. Installation instructions for other Gamber-Johnson products are provided with each individual product.

This instruction sheet is for the following products:

- Item No. 7160-1937-00** Non-RF
- Item No. 7160-1937-03** Tri-RF Passthrough

The recommended power adapter for this docking station is:
 7300-0592 - 12-16VDC Input, **USB-C** 60 Watt Max Output, BARE WIRE PLUG
 7300-0593 - 12-16VDC Input, **USB-C** 60 Watt Max Output, AUTO ADAPTER PLUG



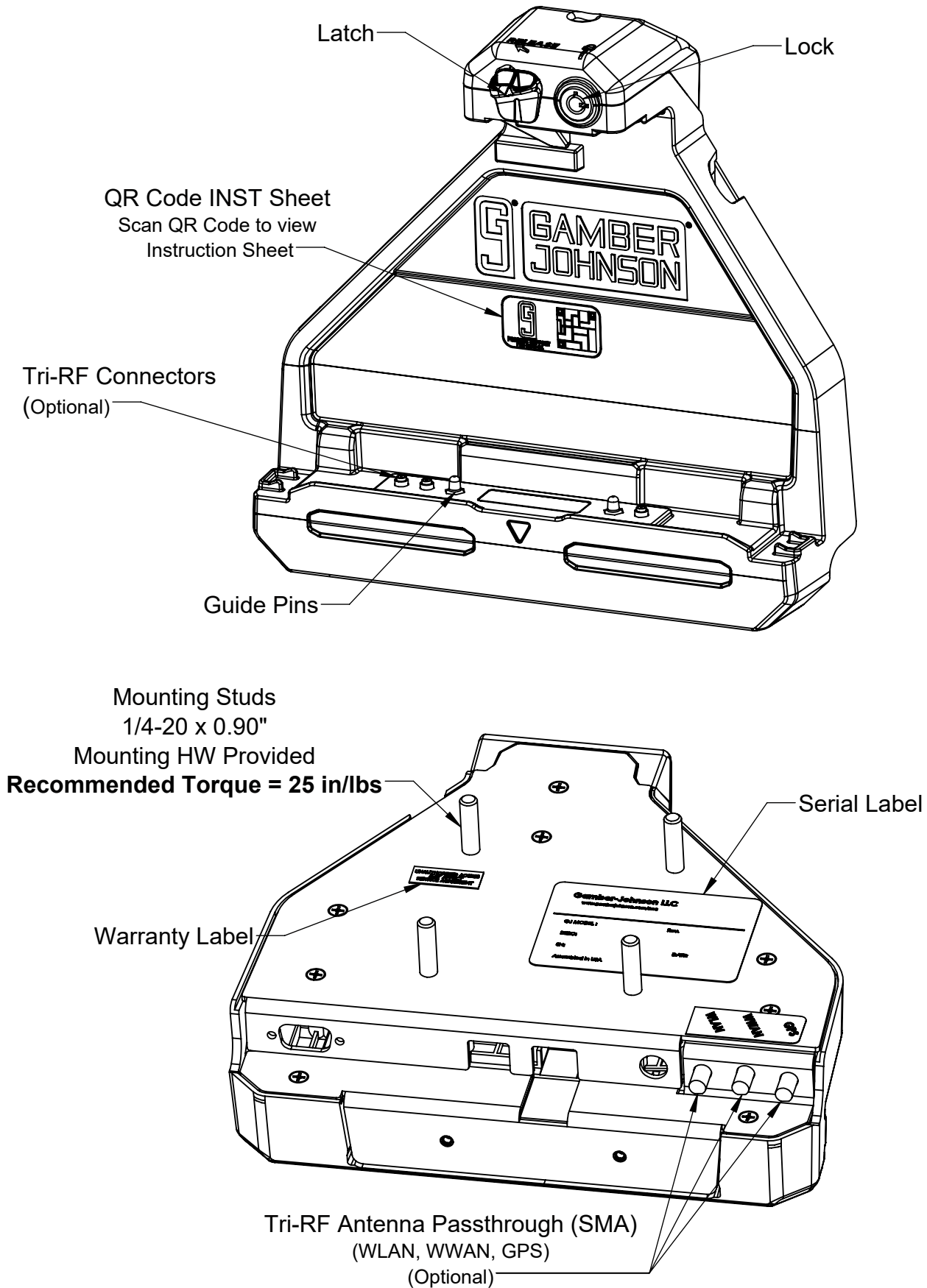
Product Mounting Disclaimer

Gamber-Johnson is not liable under any theory of contract or tort law for any loss, damage, personal injury, special, incidental or consequential damages for personal injury or other damage of any nature arising directly or indirectly as a result of the improper installation or use of its products in vehicle or any other application. In order to safely install and use Gamber-Johnson products full consideration of vehicle occupants, vehicle systems (i.e., the location of fuel lines, brake lines, electrical, drive train or other systems), air-bags and other safety equipment is required. Gamber-Johnson specifically disclaims any responsibility for the improper use or installation of its products not consistent with original vehicle manufactures specifications and recommendations, Gamber-Johnson product instruction sheets, or workmanship standards as endorsed through the Gamber-Johnson Certified Installer Program.

© Copyright 20XX Gamber-Johnson, LLC

If you need assistance or have questions, call Gamber-Johnson at 1-800-456-6868

GETAC ZX80 TABLET CRADLE FEATURE IDENTIFICATION



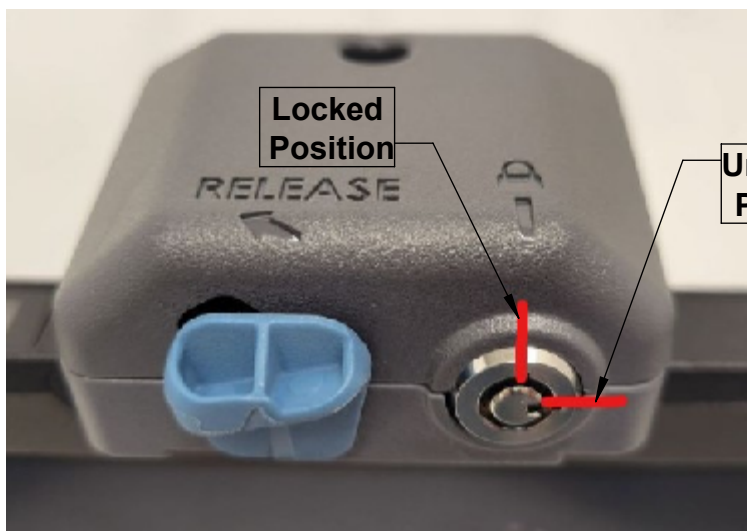
DOCKING AND UNDOCKING THE TABLET

1. Insert the bottom of the tablet into the cradle. Line up the Getac logo with the "V" on the front of the cradle.
2. Rotate the top of the tablet under the top latch until the tablet is resting inside the main housing. The latch will spring down in front of the tablet to hold it in place.
(See figures 1 & 2)
3. (Optional) Turn the lock counter-clockwise to lock the device into the cradle.

Figure 1



Figure 2



TO UNDOCK THE COMPUTER

1. Unlock the dock if locked.
2. Push upward on the thumb knob and pull outward on the top of the tablet until it clears the top latch. Lift the tablet out of the cradle.
(See Figure 3 & 4)
3. Lift the Tablet up and out of the cradle.

Figure 3



Figure 4

