



INSTALLATION INSTRUCTIONS

<u>Product</u>	<u>Revision</u>	<u>Form</u>
Notepad™6 - Universal Cradle & Accessories	Rev B	INST-1167
7160-1870-00 Notepad™6 Universal Cradle w/Standard Side Clips		
7160-1870-01 Notepad™6 Universal Cradle w/Tall Side Clips		
7160-1870-02 Notepad™6 Universal Cradle w/Zero Edge Side Clips		
7160-1870-03 Notepad™6 Universal Cradle w/Cam Assembly		
7160-1999 Screen Support Assembly		
7160-1996 LED Light Assembly		
7160-1998 Mic Clip Assembly		
Printing Spec: PS-001		

Notepad™6 Universal Computer Mount 7160-1870-00 and 7160-1870-02 will accommodate computers **10.60" to 15.82" in width, 8.61" to 13.00" in depth and up to 2.15" thick.**

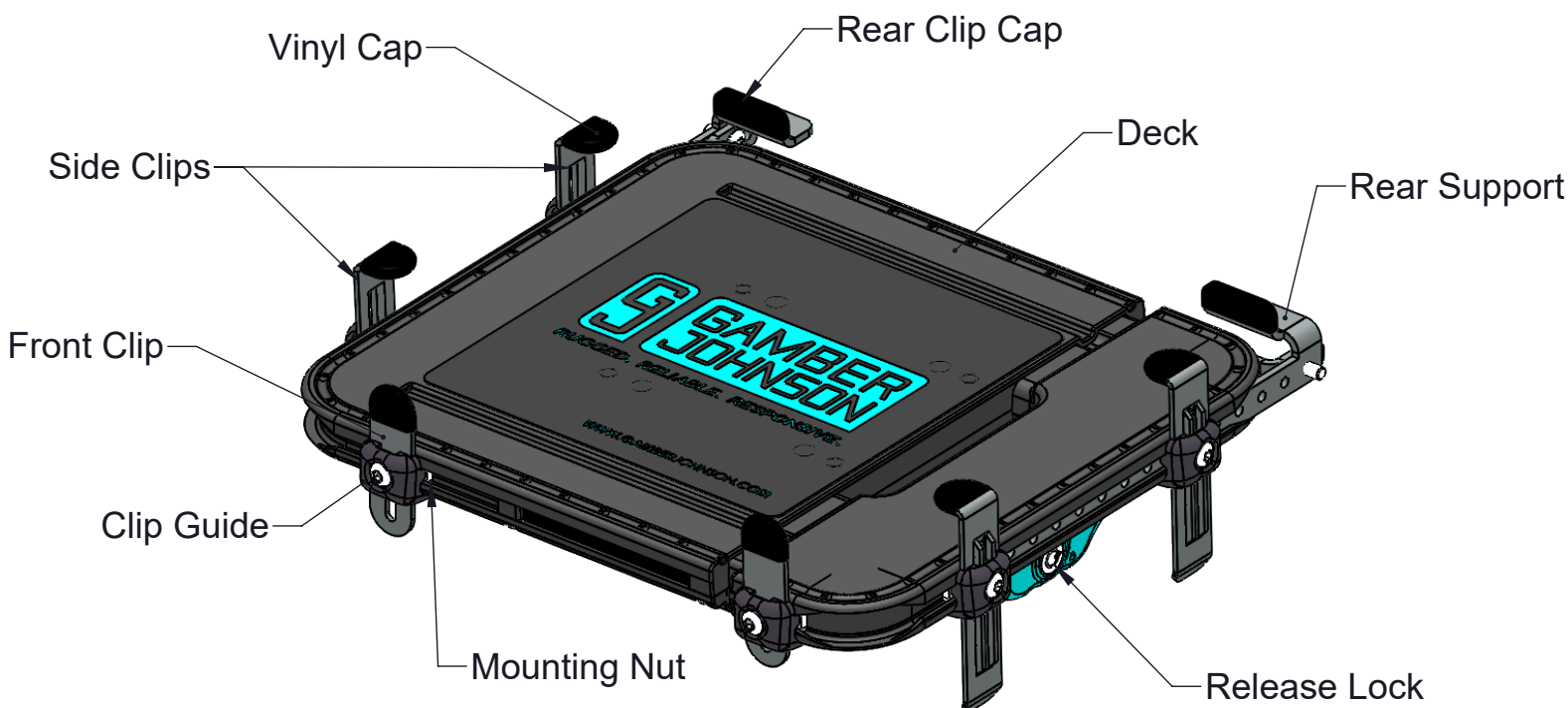
Notepad™6 Universal Computer Mount w/Tall Side Clips 7160-1870-01, will accommodate computers up to **2.65" thick.**

The Notepad™6 hold-down clips and release lock are designed to securely hold the laptop in the mount and deter theft, not prevent it. Gamber-Johnson recommends taking your laptop out of the vehicle when not in use.

9/64" Hex (Allen) wrench is needed to adjust clip location and position.

7/16" Wrench or Socket is need to attach Notepad™6 to Gamber-Johnson Motion Attachments.

#2 Phillips screwdriver and a 9/64" Hex (Allen) wrench are need to mount accessories.



Product Mounting Disclaimer

Gamber-Johnson is not liable under any theory of contract or tort law for any loss, damage, personal injury, special, incidental or consequential damages for personal injury or other damage of any nature arising directly or indirectly as a result of the improper installation or use of its products in vehicle or any other application. In order to safely install and use Gamber-Johnson products full consideration of vehicle occupants, vehicle systems (i.e., the location of fuel lines, brakes lines, electrical, drive train or other systems), air-bags and other safety equipment is required. Gamber-Johnson specifically disclaims any responsibility for the improper use or installation of its products not consistent with the original vehicle manufactures specifications and recommendations, Gamber-Johnson product instruction sheets, or workmanship standards as endorsed through the Gamber-Johnson Certified Installer Program.

© Copyright 2024 Gamber-Johnson, LLC

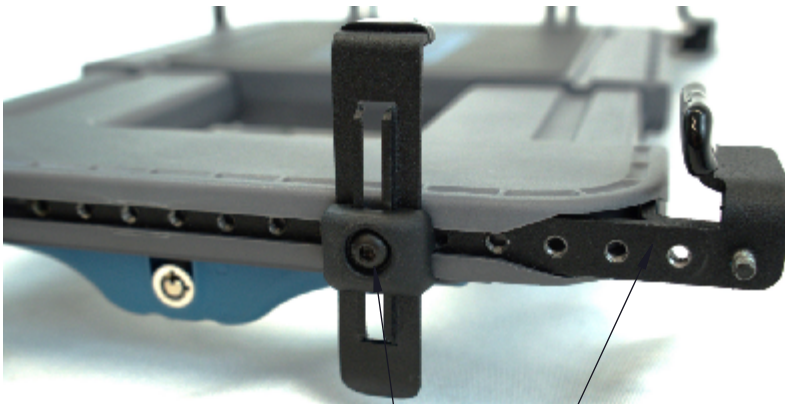
If you need assistance or have questions, call Gamber-Johnson at 1-800-456-6868

Rear Support Assembly

Two rear supports must be assembled at the time of installation. Insert each rear support bracket into the appropriate side and slide tight against the rear of the device.

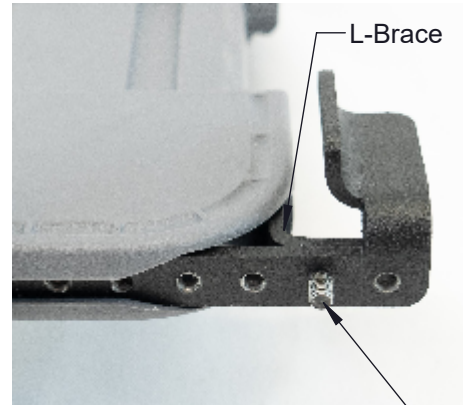
Attach the side clip to the rear support in the desired location and slide the side clip down tight to computer and then insert a #10-32 x .625 socket head screw and tighten to secure both supports.

For additional support, insert the rear L-brace before inserting the rear supports and then attach with a #10-32 x .5 Socket Head Screw once the rear support is in the desired location



#10-32 x .625 Socket Head Screw

Rear Support



L-Brace

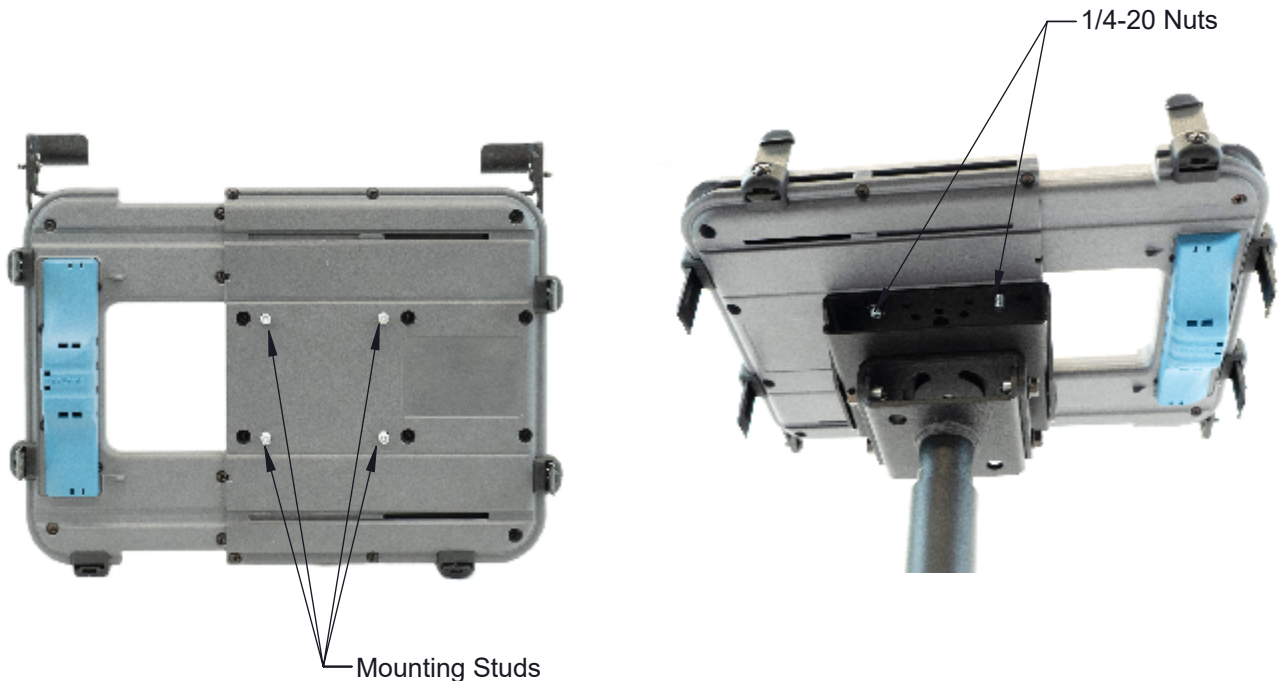
#10-32 x .5 Socket Head Screw

Vehicle Mounting

The Notepad 6 Universal Cradle is designed to be used with Gamber-Johnson motion attachments, poles and vehicle bases.

The Cradle features 4 1/4-20 studs using the VESA 75 mounting pattern.

Four 1/4-20 nuts are supplied in the hardware bag to secure motion attachments to the bottom side of the cradle.



1/4-20 Nuts

Mounting Studs

Adjusting Notepad™6 for computer

If the latch on Notepad™6 is locked, unlock the unit with the supplied keys. All Notepad™6's are keyed alike. Unlock by turning the key counter-clockwise 90 degrees.

SQUEEZE the release handle of the Notepad™6 and **THEN PULL** to the right to open the deck.

Loosen adjustment screws securing front clips, rear clips and side clips enough to raise them and move them in the slots.

Eight vinyl caps are included in hardware bag to place over clips to protect computer if needed.

Place the computer on the Notepad™6 deck. Slide the computer tight against the Front Clips. The Front Clips can be adjusted side-to-side and additionally feature vertical adjustment.

Slide the computer against the side clips on the fixed deck. Adjust the side clips side-to-side to avoid any needed ports and lower them so the tab will just clear the top of the computer and then tighten. A snug fit is preferred. Note that the side clips towards the back may need to be loosened to allow adjustment of the rear supports.

Adjust the rear supports towards the computer to prevent the computer from moving back and tighten.

Push the free side of the Notepad™6 inward until the both sets of side clips contact the computer. Ensure all of the clips are in the desired location.

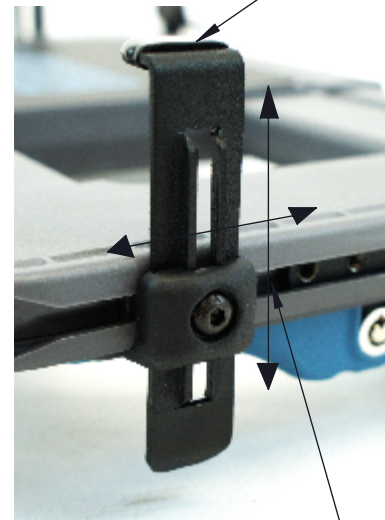
After pushing the unit together, (compressing the computer between the side clips) turn the lock 90 degrees clockwise to secure the unit.

Pull to open deck



Release Handle and Lock

Optional Vinyl Caps



Adjustment Screw

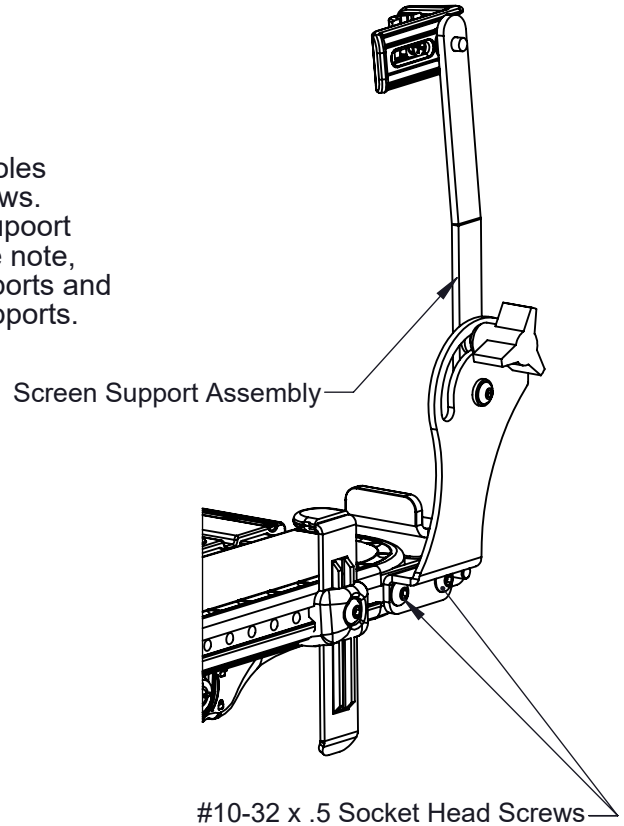
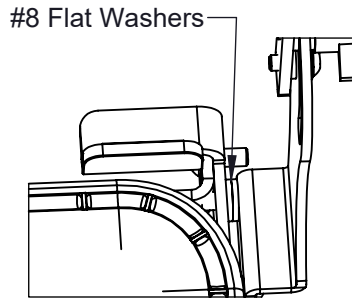


Notepad™6 Accessories

Screen Support Assemblies

The 7160-1999 Screen Support Assembly can only be attached to the right side on Notepad™6.

Place Screen Support Assembly over the desired holes and attach using two #10-32 x .5 Socket Head Screws. Use the 2 #8 washers when needed if the screen support is resting on the main body as shown below. Please note, the Screen Support is mounted to the rear arm supports and is not compatible when using only the rear CAM supports.

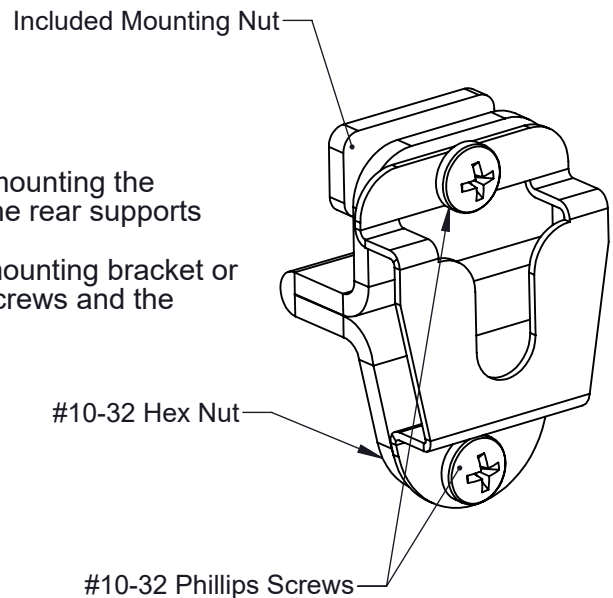
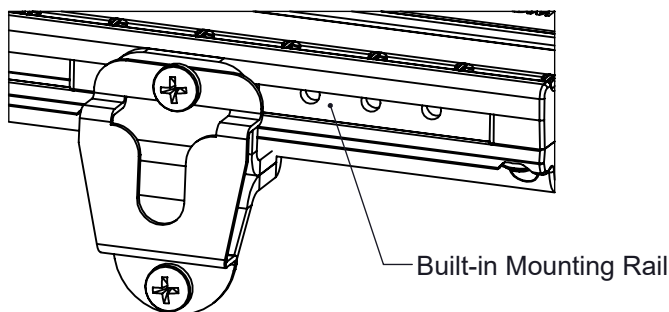


7160-1998 Mic Clip Assembly

The Mic Clip Assembly can be mounted on any side of the Notepad™6 that does not have another accessory mounted.

Position the slide nut at the desired location for mounting the assembly. This can additionally be mounted on the rear supports or on the built-in mounting rails.

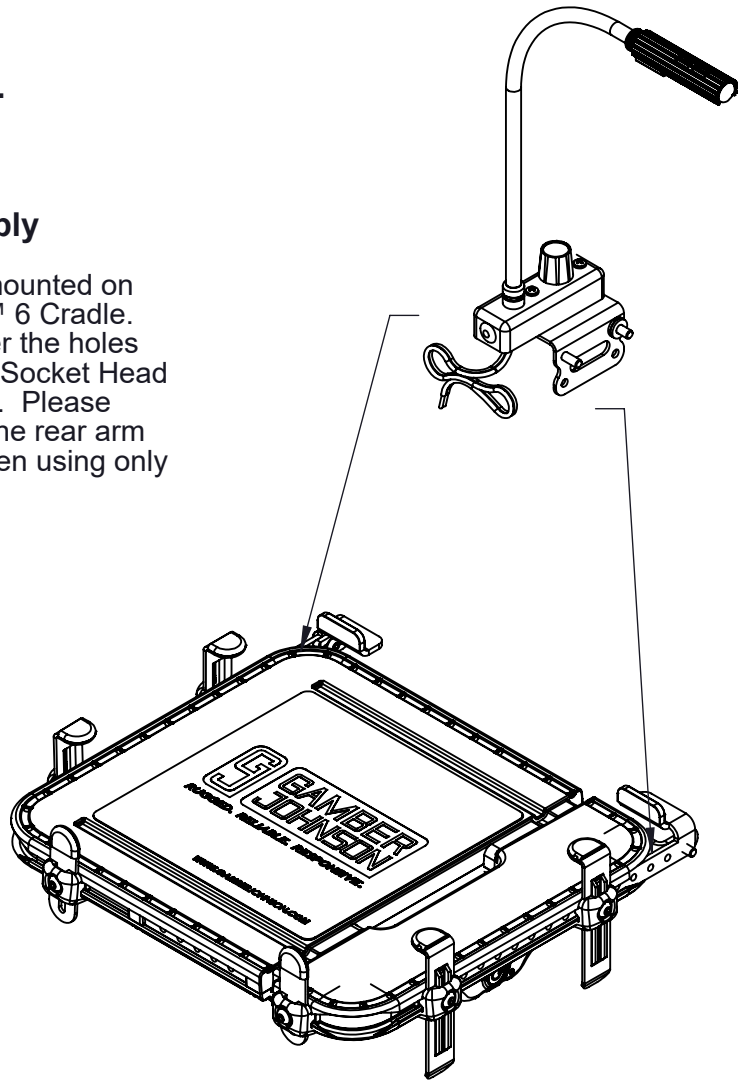
Place the Mic Clip Bracket over the hole of the mounting bracket or slide nut and attach using two #10-32 Phillips Screws and the included #10-32 hex nut.



Notepad™6 Accessories Cont.

7160-1996 LED Light Assembly

The LED Light Assembly can be mounted on either rear corner of the Notepad™ 6 Cradle. Place the LED Light Assembly over the holes and attach using two #10-32 x .62 Socket Head Screws and two #10 Flat Washers. Please note, the LED light is mounted to the rear arm supports and is not compatible when using only the rear CAM supports.



The LED is powered using the red and brown wires on the light base. The LED Assembly is designed to operate on 12 VDC.

In a negative ground vehicle:

Connect the RED wire to the positive pole of the vehicle battery or power distribution box.

It is recommended that the supplied fuse holder and 1 amp fuse be installed on the red wire.

Connect the BROWN wire to a suitable chassis GROUND or the NEGATIVE pole of the battery.

The LED has three light options: Red, White/Red and off.