

PRODUCT DIMENSIONS

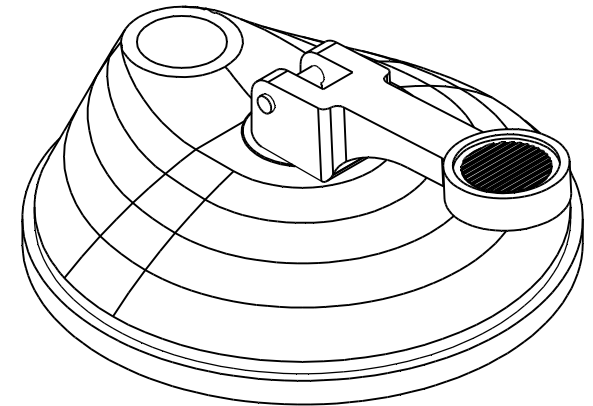
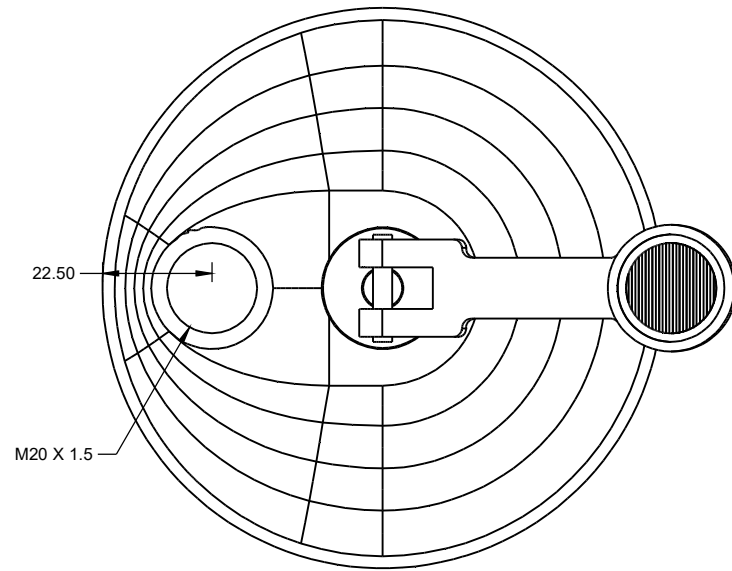
THE DESIGN, DETAILS, AND THIS DOCUMENT ARE THE PROPERTY OF GAMBER-JOHNSON
PAGE 2 of 2

ZIRKONA

PART NUMBER: 7110-1232

DESCRIPTION: SUCTION CUP MOUNT - ZIRKONA #601100

WEIGHT (LBS):



METRIC DIMENSIONS

