



INSTALLATION INSTRUCTIONS

Product

7160-1389

SCANNER POCKET TABLET MOUNT

Revision

REV C

Form

INST-915

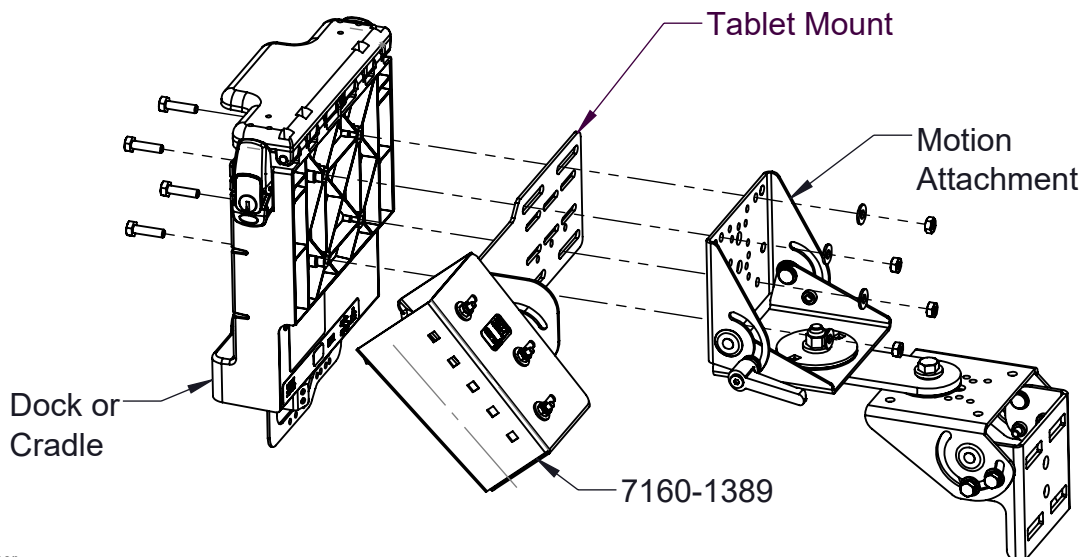
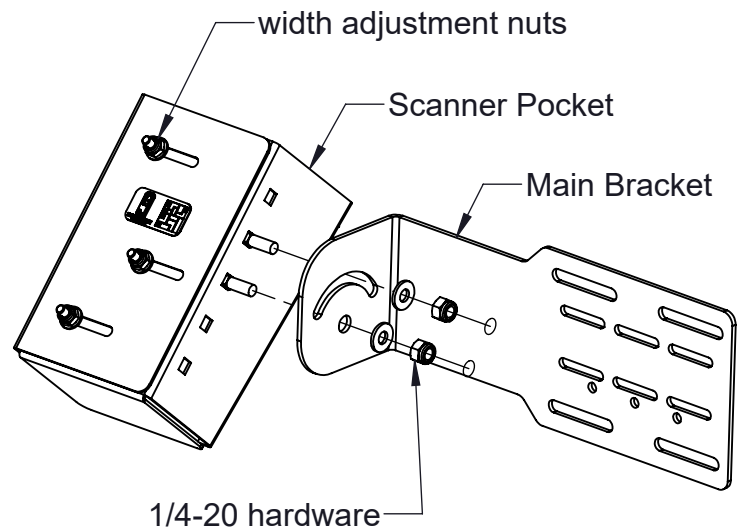
Printing Spec: PS-001

This instruction sheet is for mounting the scanner pocket tablet mount (7160-1389).

1. Attach the pocket to the main bracket with the 1/4-20 carriage bolts, flat washers, lock nuts provided in hardware bag 7120-0885. The curved slot lets the user pick the desired angle to hold the scanner.

2. The width of the scanner pocket is adjustable up to 1" (3.50" to 4.50") by loosening the 3 lock nuts located on the top side of the pocket, adjusting to the desired size and retightening the lock nuts in place.

3. Mount the scanner pocket tablet mount between the dock or cradle and the motion attachment using the hardware supplied with the dock. Note: the scanner pocket can be mounted on either side of the dock or cradle.



Product Mounting Disclaimer

Gamber-Johnson is not liable under any theory of contract or tort law for any loss, damage, personal injury, special, incidental or consequential damages for personal injury or other damage of any nature arising directly or indirectly as a result of the improper installation or use of its products in vehicle or any other application. In order to safely install and use Gamber-Johnson products full consideration of vehicle occupants, vehicle systems (i.e., the location of fuel lines, brake lines, electrical, drive train or other systems), air-bags and other safety equipment is required. Gamber-Johnson specifically disclaims any responsibility for the improper use or installation of its products not consistent with original vehicle manufactures specifications and recommendations, Gamber-Johnson product instruction sheets, or workmanship standards as endorsed through the Gamber-Johnson Certified Installer Program.

© Copyright 2024 Gamber-Johnson, LLC

If you need assistance or have questions, call Gamber-Johnson at 1-800-456-6868