



# INSTALLATION INSTRUCTIONS

## Product

**7160-1306 & 7160-1306-01**

**Scanner Pocket Mount**

## Revision

## Form

Printing Spec:PS-001

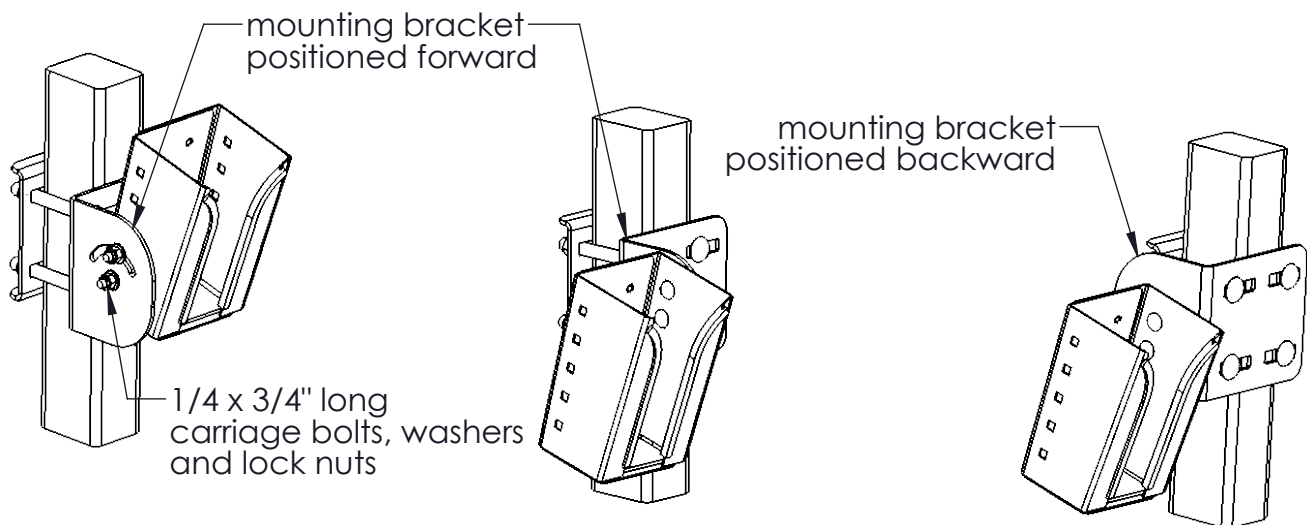
The following instruction sheet is for mounting the scanner pocket mounts on various fork trucks. 7160-1306 (with the short back plate) will fit on rectangular overhead guard legs 1.00" to 2.50" wide while the 7160-1306-01 (with large back plate) will fit on rectangular overhead guard legs 2.50" to 5.00" wide.

The assembly attaches to the rectangular overhead guard leg on the fork truck or can be used in conjunction with roll formed mounting brackets like GJ# 7160-0418 for trucks with roll formed overhead guard legs.

The scanner pocket can hold a scanner with a head thickness of 2.50" high x 4.50" wide. The scanner pocket width is adjustable to accomodate scanners 3.50" to 4.50" wide. The pocket mounting angle is also adjustable from parallel to the overhead guard leg to 60 deg. downward away from the overhead guard leg.

The scanner pocket has multiple square holes on each side of the pocket for a vast array of mounting locations so each user can best position the mount as they see fit.

The pocket mounting bracket can also be positioned forward for backward to adjust the location of the scanner pocket on the vehicle. See below for various mounting options.



# 7160-1306

7160-1306 (with small back plate) is shown below in various mounting positions. Attach the mounting bracket to the overhead guard leg with the short back plate found in hardware bag 7120-0553. Position the 3/8" carriage bolts as close to the overhead guard leg as possible to help prevent the mounting bracket from bending during installation. Then attach the scanner pocket to the mounting bracket in the desired position which best fits the end user. Use the 1/4" x 3/4" carriage bolts, flat washers, and lock nuts found in hardware bag 7120-0885 to attach the pocket to the mounting bracket. The width of the scanner pocket can be adjusted by loosening the (3) lock nuts on the top side of the pocket. Adjust the pocket to the desired fit and retighten the lock nuts.



lock nuts to adjust width



# 7160-1306-01

7160-1306-01 (with large back plate) is shown below in various mounting positions. Attach the mounting bracket to the overhead guard leg with the large back plate found in hardware bag 7120-0555. Position the 3/8" carriage bolts as close to the overhead guard leg as possible to help prevent the mounting bracket from bending during installation. Then attach the scanner pocket to the mounting bracket in the desired position which best fits the end user. Use the 1/4" x 3/4" carriage bolts, flat washers, and lock nuts found in hardware bag 7120-0885 to attach the pocket to the mounting bracket. The width of the scanner pocket can be adjusted by loosening the (3) lock nuts on the top side of the pocket. Adjust the pocket to the desired fit and retighten the lock nuts.



lock nuts to adjust width

