



INSTALLATION INSTRUCTIONS

Product

7160-1693, 7160-1723

PRINTER MOUNT - ZEBRA ZD620

Revision

Rev B

Form

INST-1081

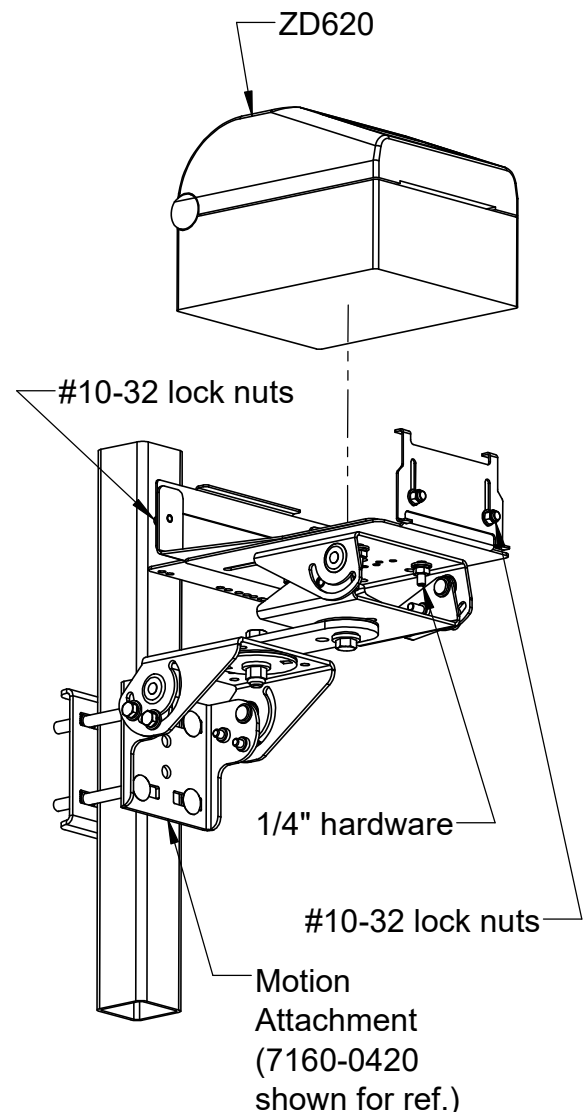
Printing Spec: PS-001

This instruction sheet is for the Gamber-Johnson ZD620 printer mount only. For information on setup of the Zebra ZD620 printer, see the instruction manual supplied with the printer from Zebra.

Attaching the printer mount:

1. Remove the (4) 1/4-20 hex nuts, lock washers, and flat washers from the bottom side of the mount. (7160-1723 uses #10-32 hardware in AMPs hole pattern)
2. Place the printer mount on the motion attachment (sold separately) with the 1/4-20 studs (75mm hole pattern) protruding through the motion attachment and reinstall the 1/4-20 hardware. Leave loose so the mount can be adjusted to fit the printer.
3. Loosen the #10-32 lock nuts on the front and back brackets so the brackets are adjustable.
4. Insert the ZD620D printer into the mount and slide the front and back brackets into the openings on the printer to hold in place.

(Note: When mounting a ZD620T printer, the front bracket needs to be flipped over 180 deg. so the wider hooks are engaging the printer. See pictures on page 2.)
5. Pushing the brackets downward, tighten the #10-32 lock nuts on the front and back hold-down brackets to hold the printer tight.
6. While sliding the mount together front to back to tightly hold the printer in place, tighten the 1/4 hex nuts that hold the printer mount to the motion attachment.
7. Attach the power and peripheral cables to the printer and hold in place with the cables ties supplied.



Product Mounting Disclaimer

Gamber-Johnson is not liable under any theory of contract or tort law for any loss, damage, personal injury, special, incidental or consequential damages for personal injury or other damage of any nature arising directly or indirectly as a result of the improper installation or use of its products in vehicle or any other application. In order to safely install and use Gamber-Johnson products full consideration of vehicle occupants, vehicle systems (i.e., the location of fuel lines, brake lines, electrical, drive train or other systems), air-bags and other safety equipment is required. Gamber-Johnson specifically disclaims any responsibility for the improper use or installation of its products not consistent with original vehicle manufactures specifications and recommendations, Gamber-Johnson product instruction sheets, or workmanship standards as endorsed through the Gamber-Johnson Certified Installer Program.

© Copyright 2022 Gamber-Johnson, LLC

If you need assistance or have questions, call Gamber-Johnson at 1-800-456-6868

Install photos



Zebra ZD620D printer shown with the narrow front hooks on top. This is how the mount is shipped.



Zebra ZD620T printer shown with the front hooks flipped over 180 deg. so the wider hooks are on top and engaging the printer.

