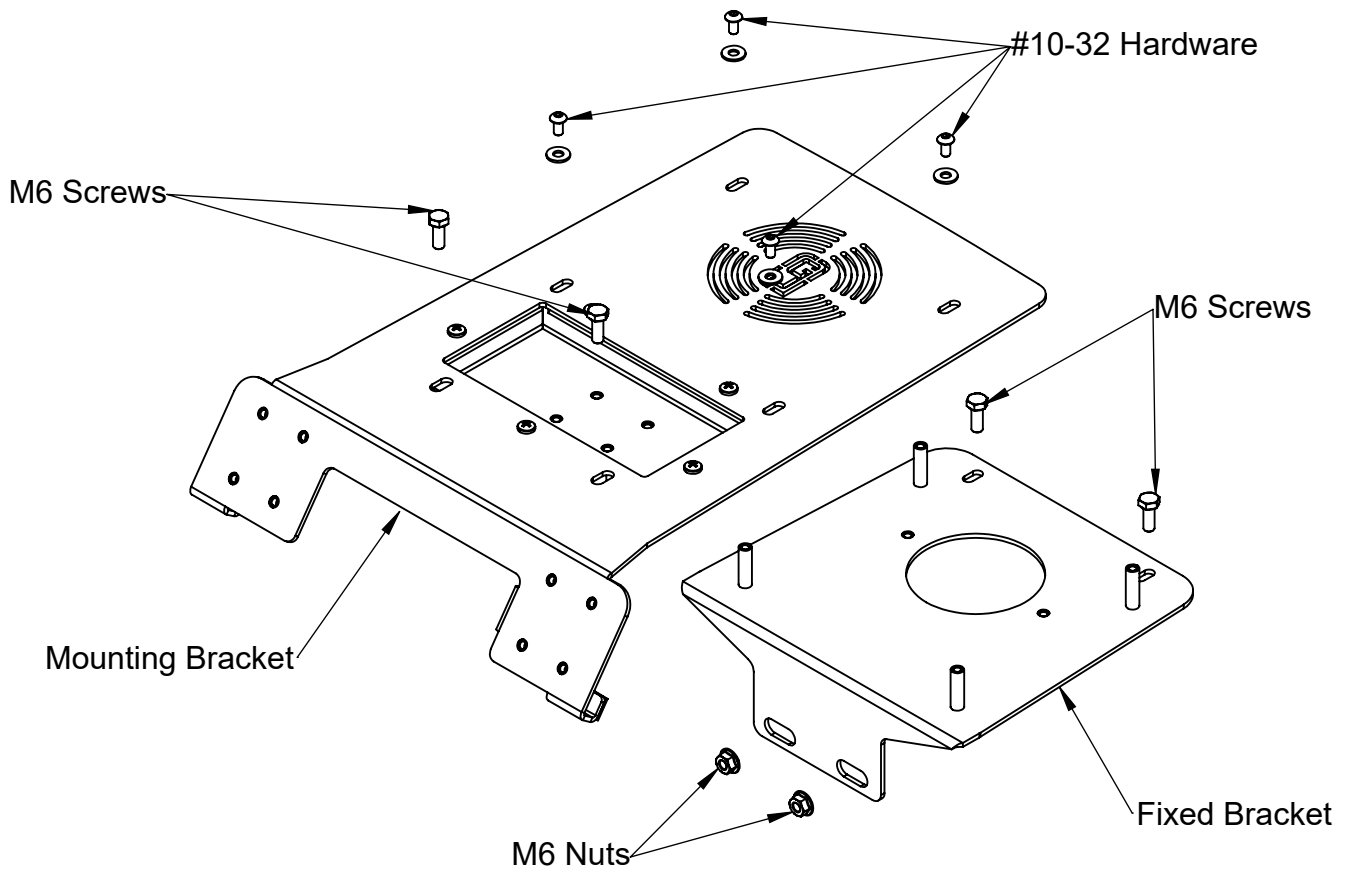




INSTALLATION INSTRUCTIONS

<u>Product</u> 7160-1587 F-Series Small Devices Top of Dash	<u>Revision</u> Rev A	<u>Form</u> INST-1012 Printing Spec: PS-001
--	---------------------------------	--



These instructions cover the installation of the 7160-1587 Gamber-Johnson F-Series Small Devices Top of Dash in 2015-2020 Ford F150 trucks and 2017 and newer Ford F250-550.

Product Mounting Disclaimer

Gamber-Johnson is not liable under any theory of contract or tort law for any loss, damage, personal injury, special, incidental or consequential damages for personal injury or other damage of any nature arising directly or indirectly as a result of the improper installation or use of its products in vehicle or any other application. In order to safely install and use Gamber-Johnson products full consideration of vehicle occupants, vehicle systems (i.e., the location of fuel lines, brake lines, electrical, drive train or other systems), air-bags and other safety equipment is required. Gamber-Johnson specifically disclaims any responsibility for the improper use or installation of its products not consistent with original vehicle manufactures specifications and recommendations, Gamber-Johnson product instruction sheets, or workmanship standards as endorsed through the Gamber-Johnson Certified Installer Program.

© Copyright 2021 Gamber-Johnson, LLC

If you need assistance or have questions, call Gamber-Johnson at 1-800-456-6868

To Install:

1. Remove OEM Tray. If vehicle has top speaker option, speaker covering needs to be removed first by unclipping. If vehicle does not have a speaker, just remove tray liner. Remove (2) screws holding back of tray with a 7mm socket. Once removed, remove front of tray by unclipping. REMINDER: disconnect speaker wires before fully removing tray.

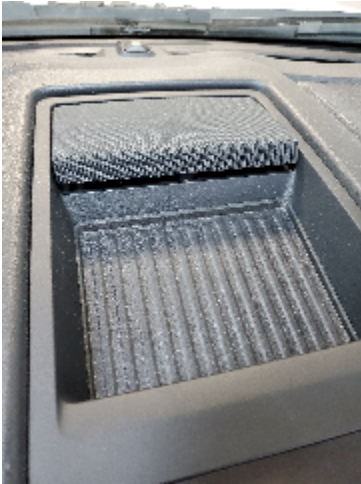


Fig. 1
With Speaker



Fig. 2
W/out Speaker



Fig. 3

2. Remove front (2) screws with same 7mm socket. Remove and replace all (4) speed nuts with provided speed nuts. If vehicle has them, remove nuts on middle plate with 10mm socket (some vehicles options do not have these nuts).

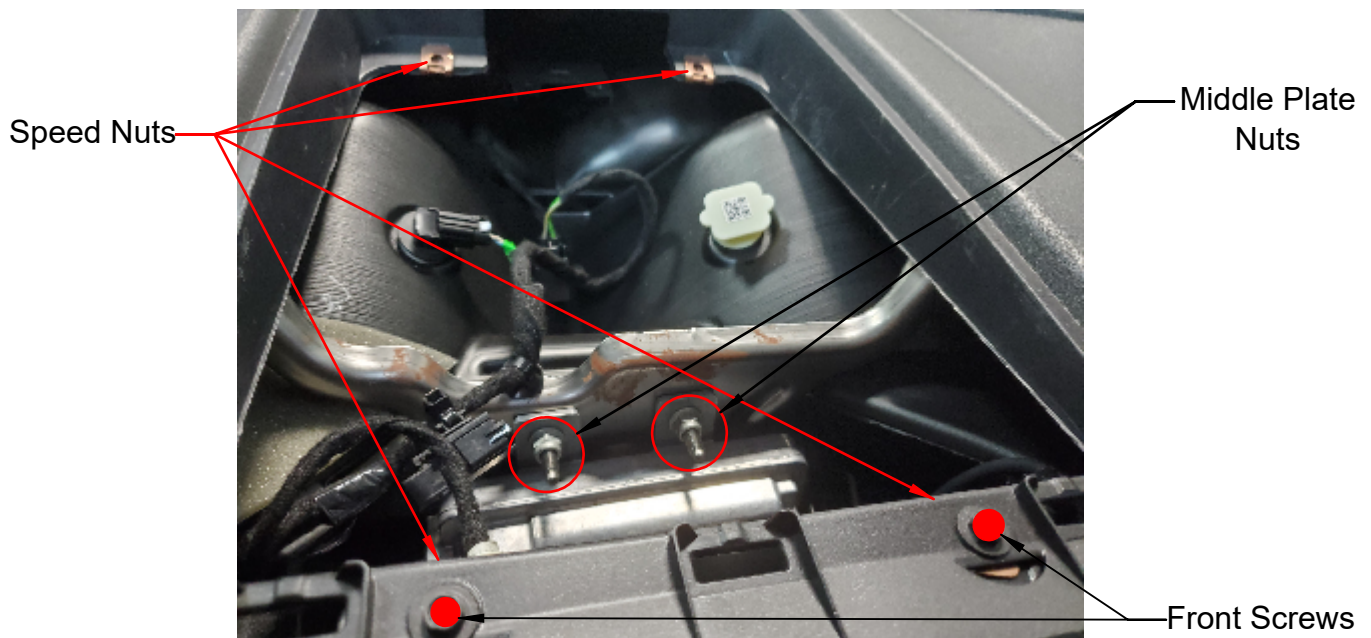


Fig. 4

3. SKIP STEP IF VEHICLE DOES NOT HAVE SPEAKER. If vehicle has speaker option, remove speaker from OEM tray with T20 star bit. Attach speaker onto Fixed Bracket with provided (2) #10-32 screw. REMINDER: Make sure to reattach speaker wires before attaching Fixed Bracket to vehicle.

4. Slide Fixed Bracket over OEM bolts on center plate, resting on top of plastic mount in back with speed nuts. Make sure slots in back line up with holes for speed nuts. Screw (2) OEM nuts back onto OEM bolts (use provided nuts if vehicle did not come with nuts) over Fixed Bracket. Screw provided (2) M6 screws into speed nuts.

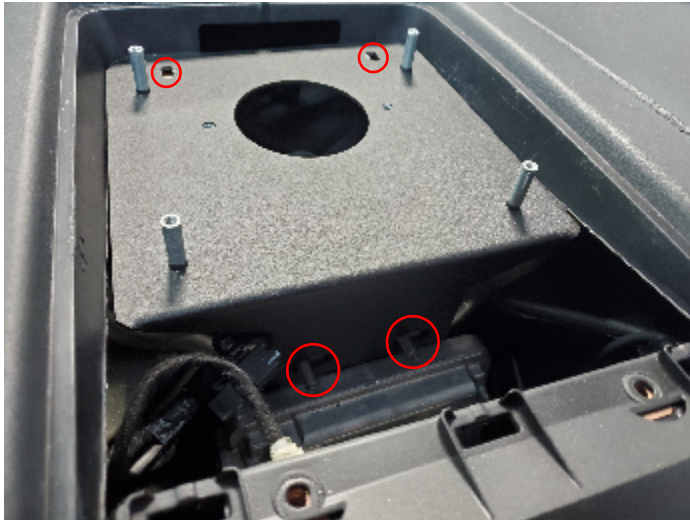


Fig. 5
Shown: W/Out speaker
Line up (4) slots.

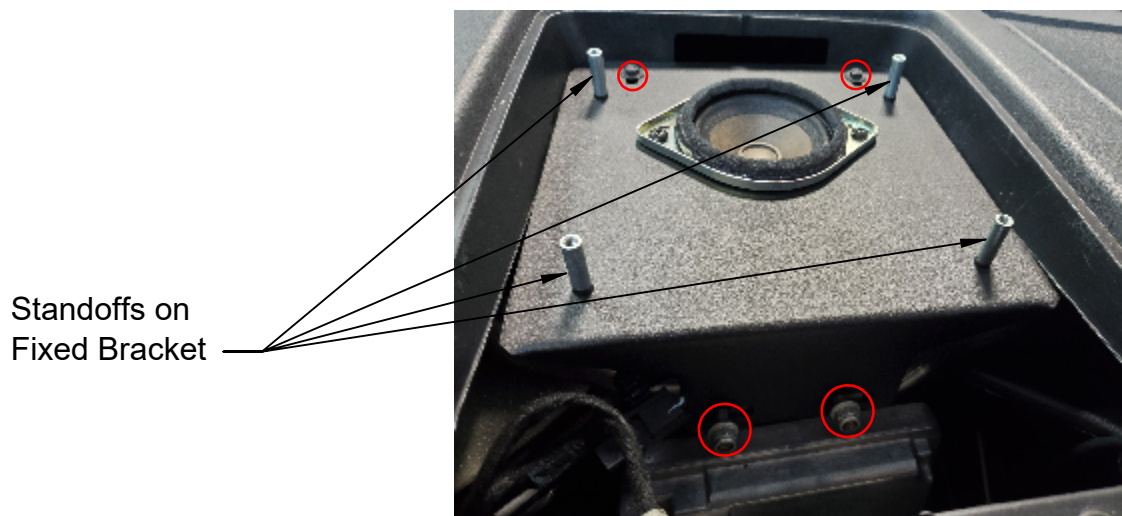


Fig. 6
Shown: With Speaker
Add screws and nuts

5. Attach Mounting Bracket onto Fixed bracket. Line up back (4) slots with standoffs, insert provided (4) #10-32 screws and washers loosely. Line up (2) front slots with front speed nuts, insert provided (2) M6 screws loosely. Push plate fully towards the back and tighten down all screws.



Fig. 7