



# INSTALLATION INSTRUCTIONS

**Product**

7160-1216-XX

Mongoose<sup>®</sup>XLE Part Family**Revision**

Rev A

**Form**

INST-905

**Printing Spec:** PS-001

## !! Warning !!

- You must read and follow all of these installation instructions prior to use. Failure to follow all of these installation instructions may result in serious bodily injury or death.
- Do not install or use the Mongoose XLE in the area in which the airbag on the vehicle will be deployed if it is activated. The installer and user of the Mongoose XLE are responsible for installing and using the Mongoose XLE outside the area in which an airbag will be deployed if activated. (See Product Mounting Disclaimer Below)
- The carriage of the Mongoose XLE should always be moved to the stowed position or furthest point over the pivoting end of the arm before operating or moving the vehicle. This stowed position must also be located outside of the air bag zone.
- Never use equipment that has been damaged, is missing parts or has the braking system disabled.
- Keep these installation instructions with the product and readily available in the vehicle for future reference of other users of the product.
- Additional copies of the installation instructions can be obtained from Gamber-Johnson. If you need assistance or have any questions, please call Gamber-Johnson at 1-800-456-6868.

### Installation:

The Mongoose XLE mounts directly to a Center Upper Pole or other type of mounting equipment that contains a Gamber-Johnson swivel or 3-hole pattern cutout.

To mount on a Center Upper Pole or other type of mounting equipment that contains a Gamber-Johnson swivel pattern cutout, set the arm on the mount so the 1/4-20unc studs protrude through the curved cutouts. Two studs should protrude through one of the cutouts and one stud should protrude through the opposite cutout. Attach with the flat washers and lock nuts that are supplied.

#### Product Mounting Disclaimer

Gamber-Johnson is not liable under any theory of contract or tort law for any loss, damage, personal injury, special, incidental or consequential damages for personal injury or other damage of any nature arising directly or indirectly as a result of the improper installation or use of its products in vehicle or any other application. In order to safely install and use Gamber-Johnson products full consideration of vehicle occupants, vehicle systems (i.e., the location of fuel lines, brake lines, electrical, drive train or other systems), air-bags and other safety equipment is required. Gamber-Johnson specifically disclaims any responsibility for the improper use or installation of its products not consistent with original vehicle manufactures specifications and recommendations, Gamber-Johnson product instruction sheets, or workmanship standards as endorsed through the Gamber-Johnson Certified Installer Program.

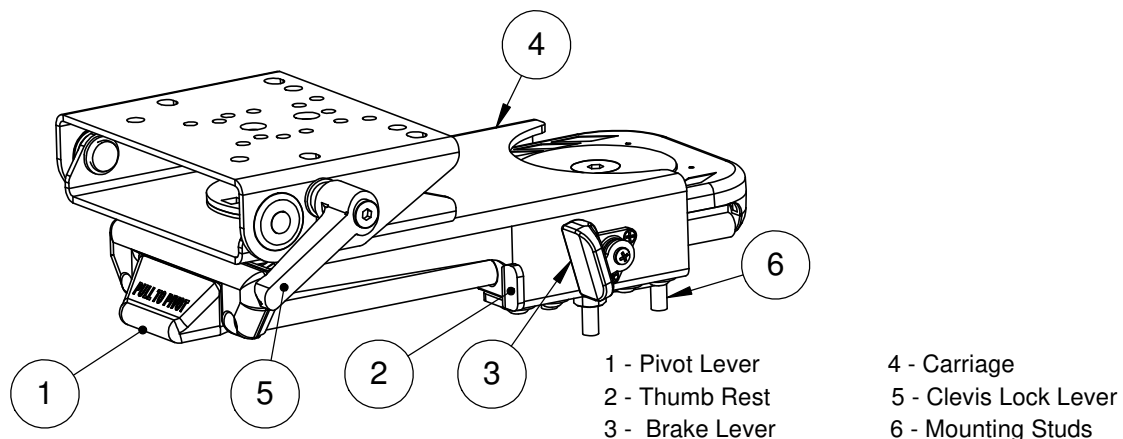
© Copyright 20XX Gamber-Johnson, LLC

If you need assistance or have questions, call Gamber-Johnson at 1-800-456-6868

## How to use the Mongoose XLE:

The Mongoose XLE is designed with color-coded touch points and will accommodate four motions of adjustment.

- The first being a 360° pivot that is actuated by the blue, front pivot lever. Pulling out on the lever releases the gear latch located in the base and allows the mount to swivel. To latch the arm in place, position the arm in the desired location and release the spring loaded lever. Wiggle the arm back and forth to make sure the lever has engaged the teeth on the gear.
- The second motion is the slide. To actuate the slide, disengage the brake by pulling and holding the spring-loaded, blue brake lever. Once the brake is disengaged, the carriage of the Mongoose XLE will slide effortlessly to the desired position. Release the brake lever to automatically engage the brake. The carriage may move up to 1 inch before locking into a set position. To return the carriage to the stowed position simply push the device mounted to the clevis toward the stowed position. Audible clicks will be heard as it passes-thru each of the many set positions.
- The third motion is the clevis swivel. The clevis can rotate 360°.
- The fourth motion is the clevis tilt.



## !! Warning!!

- The carriage of the Mongoose XLE should always be moved to the stowed position or furthest point over the pivoting end of the arm before operating or moving the vehicle. This stowed position must also be located outside of the air bag zone.
- Never use equipment that has been damaged, is missing parts or has the braking system disabled.
- The Mongoose XLE or any upper level equipment should not be positioned in the area where the airbag will be deployed if it is activated. DO NOT position the equipment in front of an airbag. Equipment positioned in front of an airbag can cause serious injury or death if an airbag was activated, such as in an accident.
- If installation of the equipment requires that the equipment be placed in front of an airbag, deactivate the airbag in the vehicle so it cannot be activated in an accident. In order to secure permission for deactivating the airbag in these circumstances, contact the National Highway Traffic Safety Administration at 1-800-424-9393 to gain permission to do so. If you have any questions or need assistance, please call Gamber-Johnson at 1-800-456-6868.

## Hole Template

Use the template below if the mounting pattern needs to be drilled into a mounting surface. Ensure that the printing of this template is done to a 1:1 scale.

