



# INSTALLATION INSTRUCTIONS

<b><u>Product</u></b> 7160-1884 DELL 7030 TABLET KEYBOARD CRADLE	<b><u>Revision</u></b> Rev A	<b><u>Form</u></b> INST-1143  <b>Printing Spec:</b> PS-001
--	---------------------------------	---

This instruction sheet is for the Dell 7030 Tablet Keyboard Cradle only. For instructions on features, set-up, and operation of the Dell 7030 Tablet, please refer to the manual provided by Dell with the Tablet.

This cradle is designed to be used with a variety of Gamber-Johnson mounting systems. Installation instructions for other Gamber-Johnson products are provided with each individual product.

This instruction sheet is for the following products:

**Item No. 7160-1884-00**

A USB-C Power Adapter is required to charge the tablet in the cradle, the below power adapter is sold separately unless ordered through a KIT.

**7300-0621** - 11-16VDC Input - 100W USB-C Output - Available with the Keyboard Cradle as a KIT:  
**7170-1056-00**

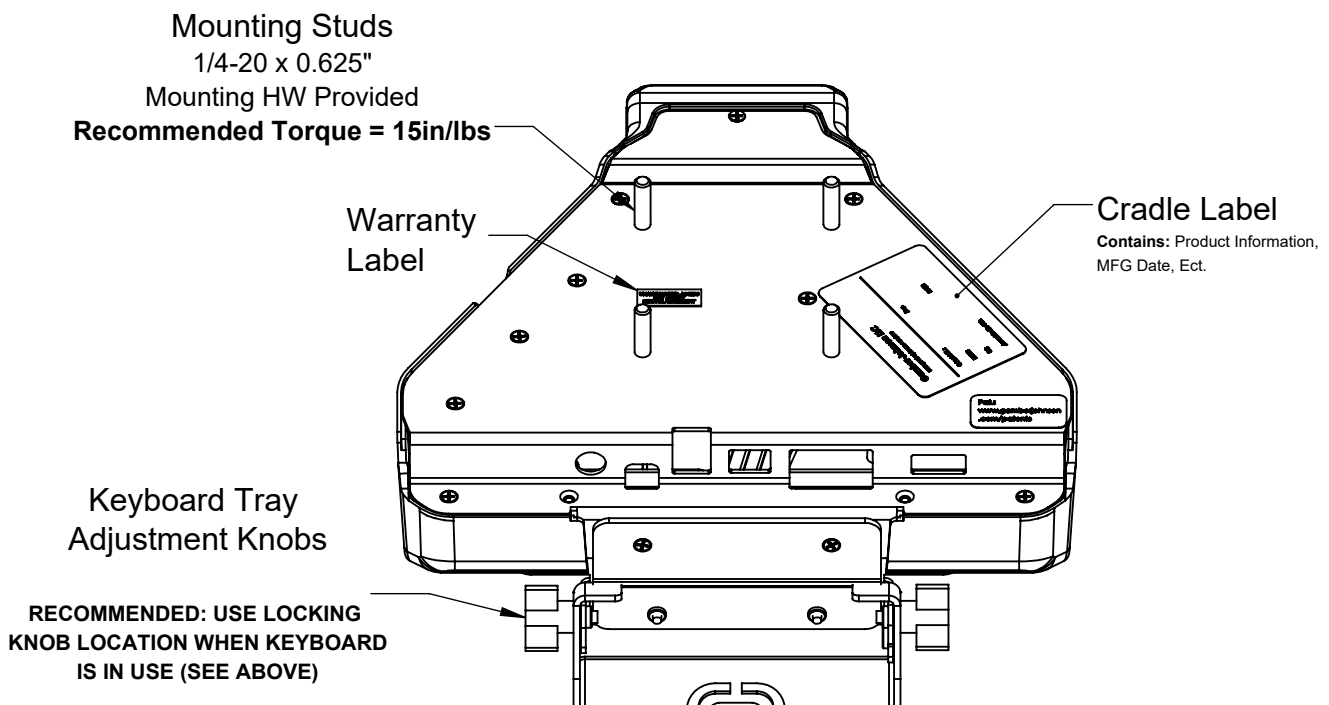
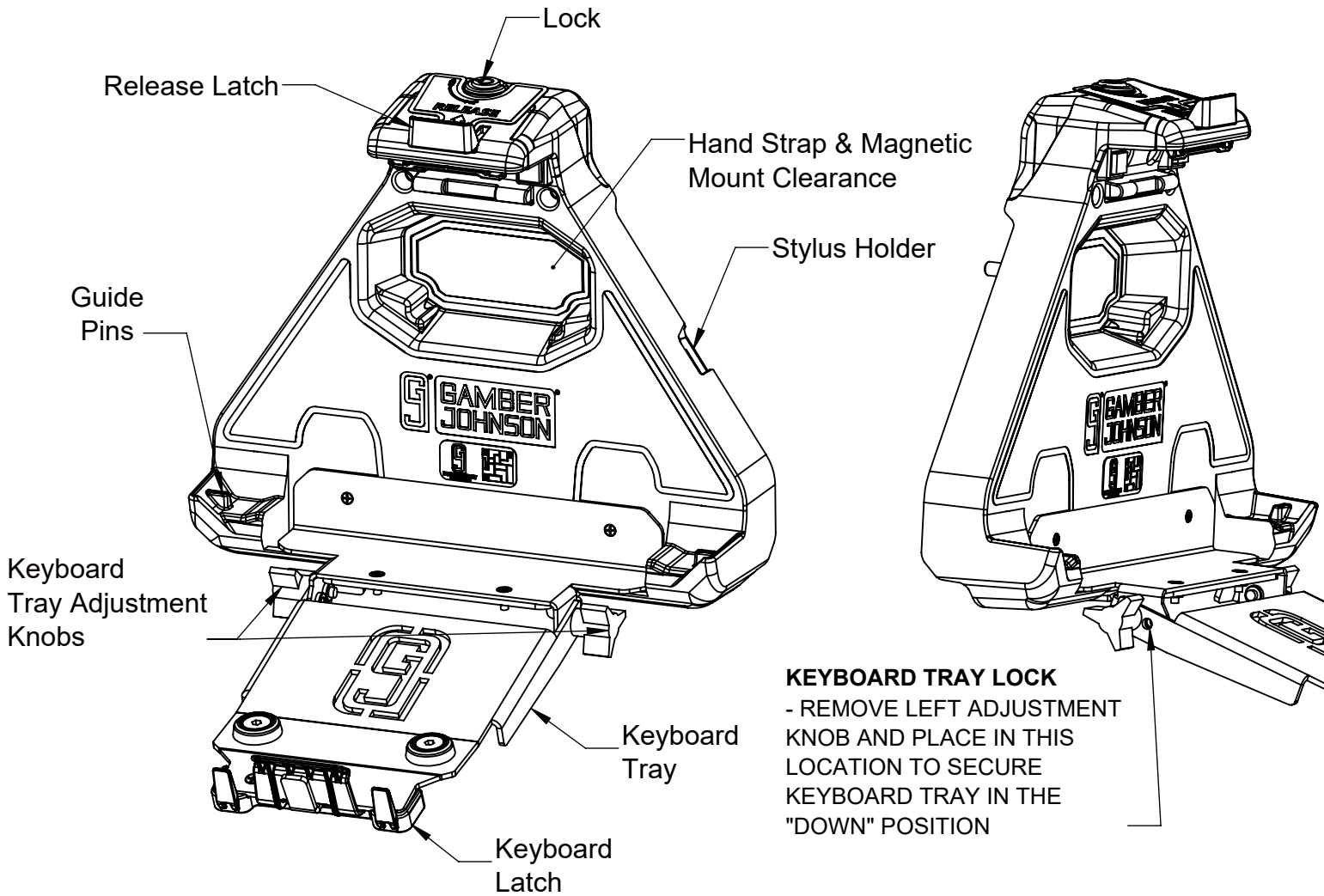


Product Mounting Disclaimer  
Gamber-Johnson is not liable under any theory of contract or tort law for any loss, damage, personal injury, special, incidental or consequential damages for personal injury or other damage of any nature arising directly or indirectly as a result of the improper installation or use of its products in vehicle or any other application. In order to safely install and use Gamber-Johnson products full consideration of vehicle occupants, vehicle systems (i.e., the location of fuel lines, brake lines, electrical, drive train or other systems), air-bags and other safety equipment is required. Gamber-Johnson specifically disclaims any responsibility for the improper use or installation of its products not consistent with original vehicle manufactures specifications and recommendations, Gamber-Johnson product instruction sheets, or workmanship standards as endorsed through the Gamber-Johnson Certified Installer Program.

© Copyright 2022 Gamber-Johnson, LLC

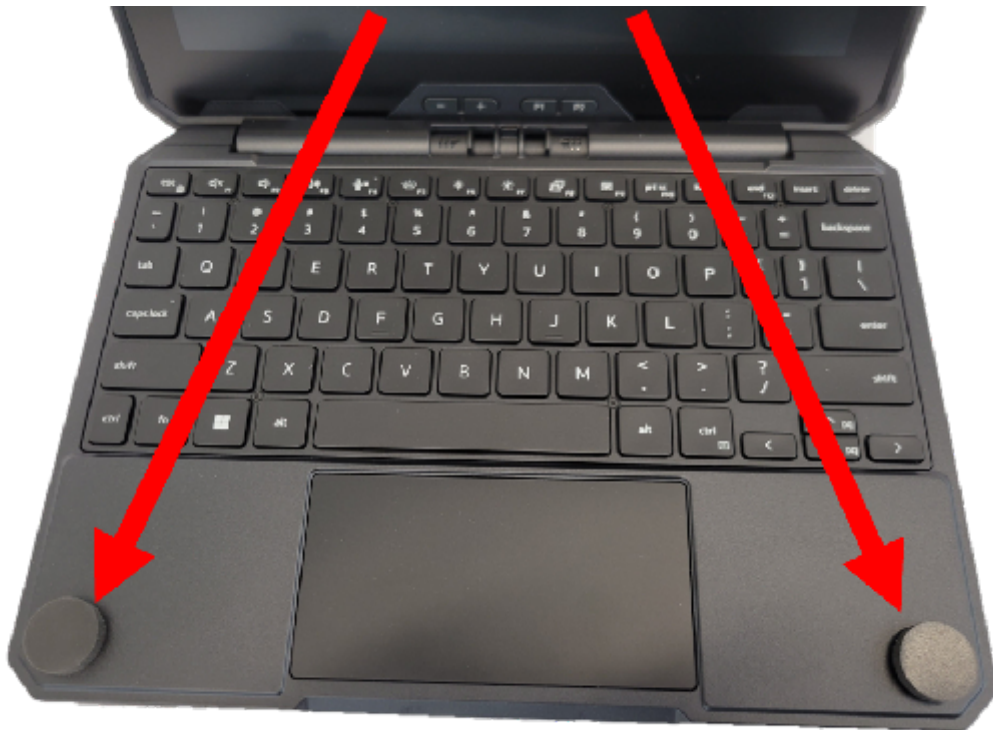
If you need assistance or have questions, call Gamber-Johnson at 1-800-456-6868

# DELL 7230 TABLET KEYBOARD CRADLE FEATURE IDENTIFICATION



# DELL 7030 TABLET KEYBOARD FOAM PADS

Included in each Keyboard Cradle shipment is 2x round foam pads. These need to be placed on the front Left/Right corners of the Dell 7030 Keyboard as shown below. These pads allow the cradle tablet latch to fully engage when the keyboard is closed against the tablet face.



# DOCKING AND UNDOCKING THE TABLET W/ KEYBOARD

## TO DOCK THE TABLET

1. Rotate the keyboard tray to the "open" position and insert the bottom of the tablet into the cradle. Make sure the bottom left/right tabs on the dock line up with the tablet properly. **Figure 1**
2. Rotate the top of the tablet under the top latch until the tablet is resting inside the main housing. The latch will spring down in front of the tablet to hold it in place. Rotate the Keyboard down until it latches in place on the tray.
3. (Optional) Rotate the lock 90 degrees clockwise to lock the cradle.



**Figure 2**



## TO UNDOCK THE COMPUTER

1. Unlock the cradle if locked (turn lock 90 degrees counter-clockwise)
2. Pull the keyboard tray latch forward and press the keyboard up to release. Push inward on the release latch and pull outward on the top of the tablet until it clears the top latch. Make sure handle clears the lock housing. (See Figure 3 & 4)
3. Lift the Tablet up and out of the cradle.
4. (Recommended) - Lift the keyboard tray to the upright position when not in use.

**Figure 3**



**Figure 4**

