



# INSTALLATION INSTRUCTIONS

<b><u>Product</u></b> 7160-1883 DELL 7030 TABLET CRADLE	<b><u>Revision</u></b> Rev A	<b><u>Form</u></b> INST-1142  <b>Printing Spec: PS-001</b>
---	---------------------------------	---

This instruction sheet is for the Dell 7030 Tablet Cradle. For instructions on features, set-up, and operation of the Dell 7030 Tablet, please refer to the manual provided by Dell with the Tablet.

This Cradle is designed to be used with a variety of Gamber-Johnson mounting systems. Installation instructions for other Gamber-Johnson products are provided with each individual product.

This instruction sheet is for the following products:

**Item No. 7160-1883-00** No Electronics

A Dell certified power adapter must be used to power the Dell Tablet, the below power adapter is sold separately unless ordered through a KIT.

(See Page 4 For Isolated Power Adapter Options)

**7300-0621** - 11-16VDC Input - 100W USB-C Output - Available with the Cradle as a KIT:  
**7170-1055-00**

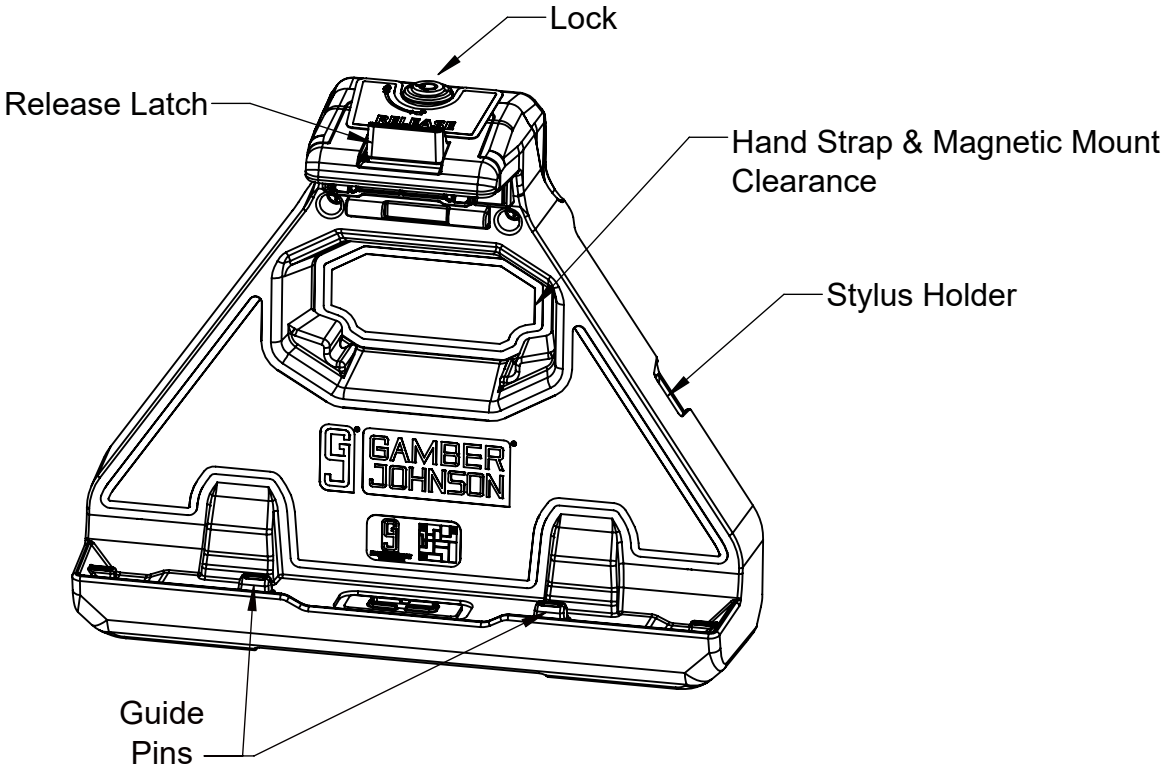


Product Mounting Disclaimer  
Gamber-Johnson is not liable under any theory of contract or tort law for any loss, damage, personal injury, special, incidental or consequential damages for personal injury or other damage of any nature arising directly or indirectly as a result of the improper installation or use of its products in vehicle or any other application. In order to safely install and use Gamber-Johnson products full consideration of vehicle occupants, vehicle systems (i.e., the location of fuel lines, brake lines, electrical, drive train or other systems), air-bags and other safety equipment is required. Gamber-Johnson specifically disclaims any responsibility for the improper use or installation of its products not consistent with original vehicle manufactures specifications and recommendations, Gamber-Johnson product instruction sheets, or workmanship standards as endorsed through the Gamber-Johnson Certified Installer Program.

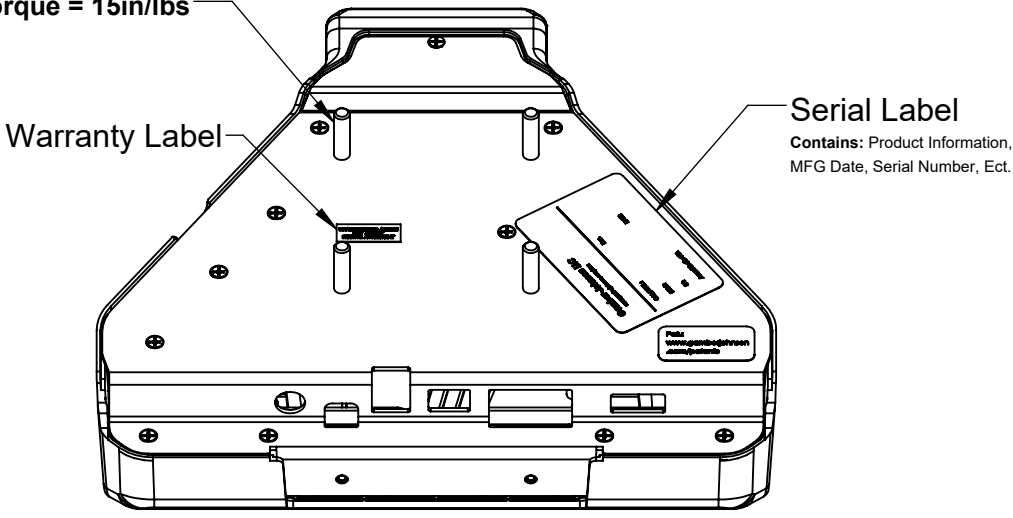
© Copyright 2023 Gamber-Johnson, LLC

If you need assistance or have questions, call Gamber-Johnson at 1-800-456-6868

# DELL 7030 TABLET CRADLE FEATURE IDENTIFICATION



Mounting Studs  
1/4-20 x 0.90"  
Mounting HW Provided  
**Recommended Torque = 15in/lbs**



# DOCKING AND UNDOCKING THE TABLET

## TO DOCK THE COMPUTER

1. Insert the bottom of the tablet into the cradle.
2. Rotate the top of the tablet under the top latch until the tablet is resting inside the main housing. The latch will spring down in front of the tablet to hold it in place.  
(See figures 1 & 2)
3. (Optional) Turn lock 90 degrees clockwise to lock the tablet in the dock.

Figure 1



Figure 2



Figure 3



## TO UNDOCK THE COMPUTER

1. Unlock the dock if locked (turn lock 90 degrees counter-clockwise)
2. Push inward on the latch and pull outward on the top of the tablet until it clears the top latch. Make sure handle clears the lock housing.  
(See Figures 3 & 4)
3. Lift the Tablet up and out of the cradle.

Figure 4

