



INSTALLATION INSTRUCTIONS

Product

Notepad™V - Universal Cradle & Accessories

7160-0250 Notepad™V Universal Cradle w/Standard Side Clips
7160-0250-01 Notepad™V Universal Cradle w/Tall Side Clips
7160-0250-02 Notepad™V Universal Cradle w/Zero Edge Side Clips
7160-0250-03 Notepad™V Universal Cradle w/Cam Assembly
7160-0251 Screen Support Assembly
7160-0252 LED Light Assembly
7160-0253 Mic Clip Assembly

Revision

Rev. I

Form

INST-479

Printing Spec: PS-001

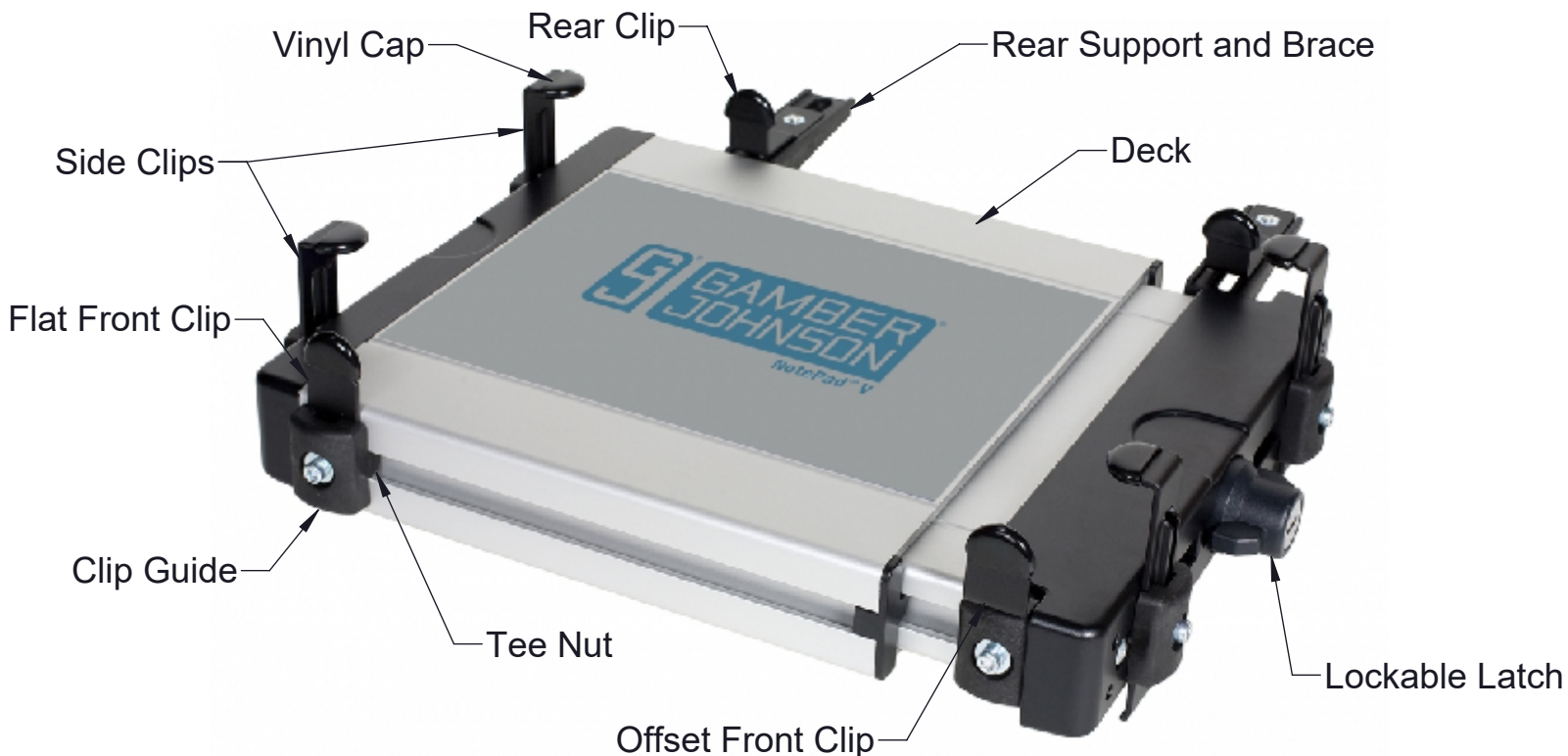
Notepad™V & Notepad™V-LT Universal Computer Mounts 7160-0250 & 7160-0250-02, will accommodate computers 10.62" to 16.50" in width, 8.50" to 12.00" in depth and up to 1.50" thick. Notepad™V Universal Computer Mount w/Tall Side Clips 7160-0250-01, will accommodate computers up to 2.00" thick.

The Notepad™V hold-down clips and key lock are designed to securely hold the laptop in the mount and deter theft, not prevent it. Gamber-Johnson recommends taking your laptop out of the vehicle when not in use.

9/64" Hex (Allen) wrench is needed to adjust clip location and position.

7/16" Wrench or Socket is need to attach Notepad™V to Gamber-Johnson Motion Attachments.

#2 Phillips screwdriver and a 9/64" Hex (Allen) wrench are need to mount accessories.



Product Mounting Disclaimer

Gamber-Johnson is not liable under any theory of contract or tort law for any loss, damage, personal injury, special, incidental or consequential damages for personal injury or other damage of any nature arising directly or indirectly as a result of the improper installation or use of its products in vehicle or any other application. In order to safely install and use Gamber-Johnson products full consideration of vehicle occupants, vehicle systems (i.e., the location of fuel lines, brakes lines, electrical, drive train or other systems), air-bags and other safety equipment is required. Gamber-Johnson specifically disclaims any responsibility for the improper use or installation of its products not consistent with the original vehicle manufactures specifications and recommendations, Gamber-Johnson product instruction sheets, or workmanship standards as endorsed through the Gamber-Johnson Certified Installer Program.

© copyright 2011 Gamber-Johnson, LLC

If you need assistance or have questions, call Gamber-Johnson at 1-800-456-6868

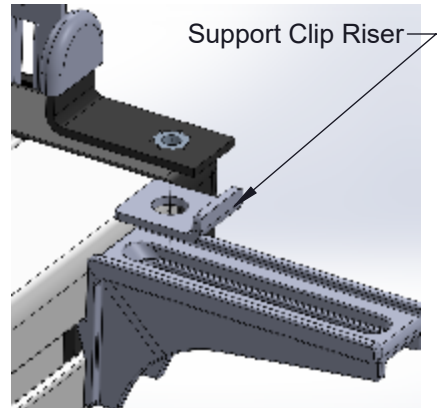
Rear Support Assembly

Two Rear Support Clips must be assembled at the time of installation.

Attach each Support Bracket to Tee Nut located in channel on back edge of Notepad™V using a #8-32 x .38 Socket Head Screw.

Attach the Rear Clip to the Support Bracket with a #8 external tooth washer and a #8-32 x .31 Nylon Patch Socket Head Screw.

If your computer has a depth of 8.5" to 9.0" use the supplied Support Clip Riser to allow the cradle to adjust to 8.5" minimum depth



#8-32 x .38 Socket Head Screw

#8 External Tooth Washer &
#8-32 x .31 Nylon Patch Socket Head Screw

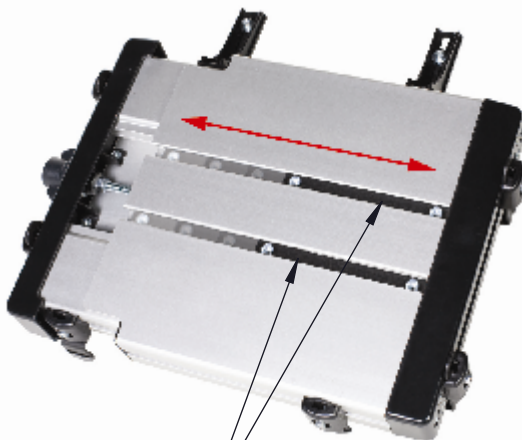
Vehicle Mounting

The Notepad™V Universal Cradle is designed to be used with Gamber-Johnson motion attachments, poles and vehicle bases.

The Sliding Mount Bar feature allows side-to-side adjustment of cradle to desired mounting position.

Four .25 Flat Washers and .25-20 x .62 long Hex Head Screws are supplied in the hardware bag to secure motion attachments to the bottom side of the cradle.

.25-20 x .62 Hex Head Screws
& .25 Flat Washers



Sliding Mount Bars on bottom surface



Adjusting Notepad™V for computer

If the latch on Notepad™V is locked, unlock the unit with the supplied keys. All Notepad™V's are keyed alike. Unlatch by turning the lock body clockwise 90 degrees.

Pull the lock side of the Notepad™V to the right to open the deck.

Loosen adjustment screws securing front clips, rear clips and side clips enough to raise them and move them in the slots.

Eight Vinyl Caps are included in hardware bag to place over clips to protect computer if needed. (Zero Edge Side Clips 7160-0250-02, are used without caps)

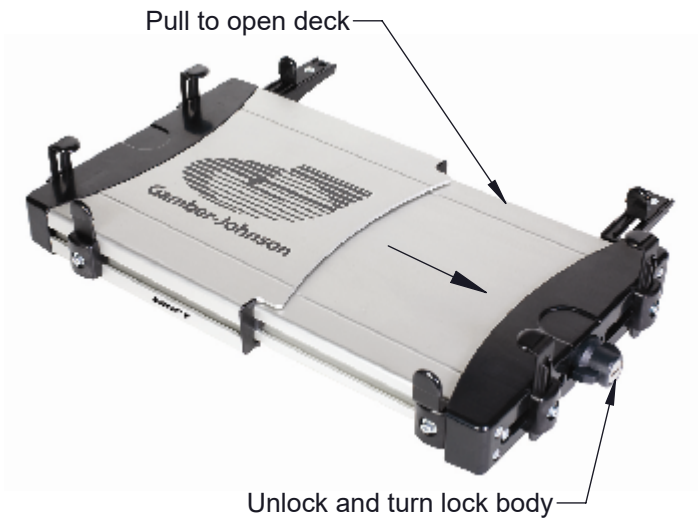
Place the computer on the Notepad™V deck. Slide the computer tight against the Front Clips. The Front Clips can be adjusted side-to-side and also have a slight amount of vertical adjustment. The Flat and Offset clips may also swap positions, with the offset clip overlapping the fixed deck to accommodate shorter depth computers.

Slide the computer against the Side Clips on the fixed deck. Adjust the Side Clips side-to-side to avoid any needed ports and lower them so the tab will just clear the top of the computer and tighten. A snug fit is preferred.

Push the right side of the Notepad™V in until the right Side Clips touch the computer. Adjust the right Side Clips in the same manner as the left side.

After pushing the unit together, (compressing the computer between the side clips) turn the lock body 90 degrees counter-clockwise to secure the unit.

Adjust the Rear Supports side-to-side and tighten. Adjust the Rear Clips to prevent the computer from moving back and tighten.

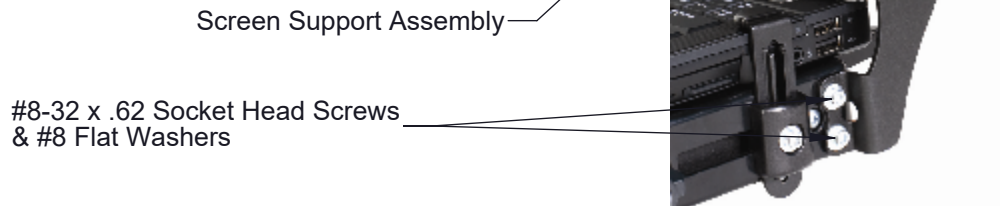


Notepad™V Accessories

Screen Support Assemblies

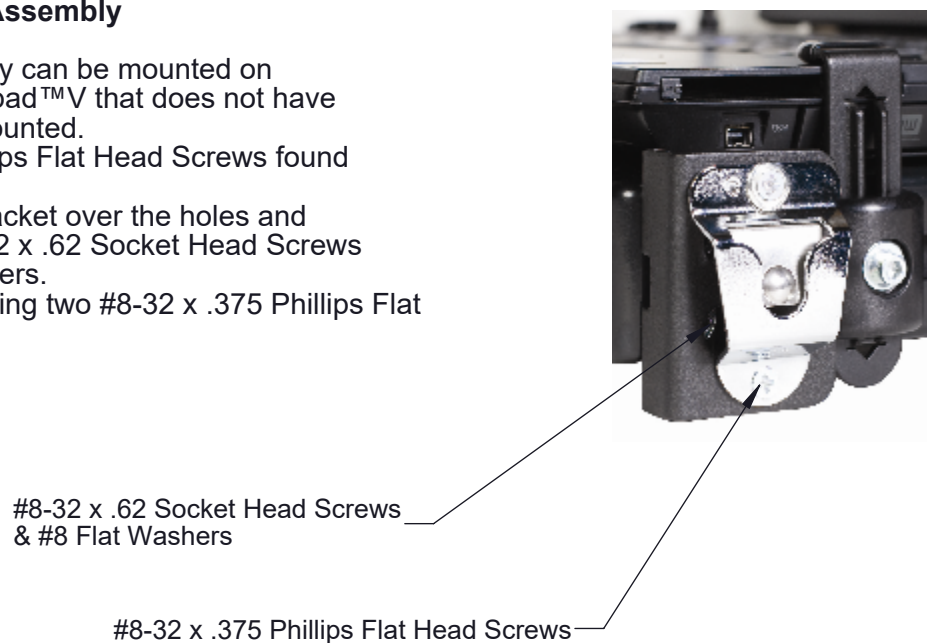
The 7160-0251 Screen Support Assembly can only be attached to the right side on Notepad™V.
The 7160-0474 Screen Support Assembly can only be attached to the left side on Notepad™V

Remove the two Phillips Flat Head Screws found at the back right or left side corners (Depending on which Screen Support Assembly you are using). Place Screen Support Assembly over the holes and attach using two #8-32 x .62 Socket Head Screws and two #8 Flat Washers.



7160-0253 Mic Clip Assembly

The Mic Clip Assembly can be mounted on any corner of the Notepad™V that does not have another accessory mounted. Remove the two Phillips Flat Head Screws found on the corner. Place the Mic Clip Bracket over the holes and attach using two #8-32 x .62 Socket Head Screws and two #8 Flat Washers. Attach the Mic Clip using two #8-32 x .375 Phillips Flat Head Screws



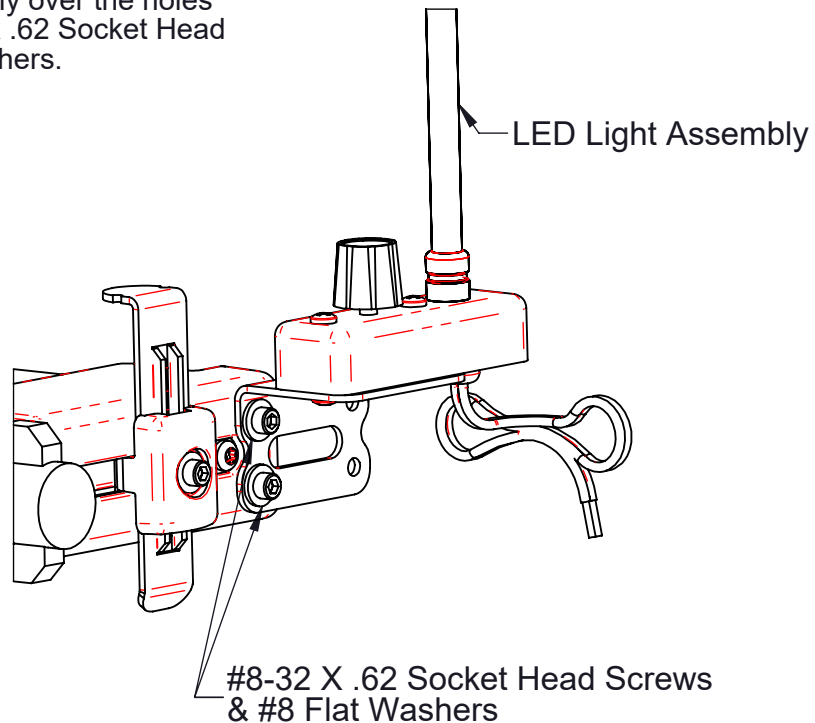
Notepad™V Accessories Cont.

7160-0252 LED Light Assembly

The LED Light Assembly can be mounted on any corner of the Notepad™ V Cradle.

Remove the two Phillips Flat Head Screws found on the corner.

Place the LED Light Assembly over the holes and attach using two #8-32 x .62 Socket Head Screws and two #8 Flat Washers.



The LED is powered using the red and brown wires on the light base. The LED Assembly is designed to operate on 12 VDC.

In a negative ground vehicle:

Connect the RED wire to the positive pole of the vehicle battery or power distribution box.

It is recommended that the supplied fuse holder and 1 amp fuse be installed on the red wire.

Connect the BROWN wire to a suitable chassis GROUND or the NEGATIVE pole of the battery.

The LED has three light options: Red, White/Red and off.



Very Well Connected™

INSTALLATION INSTRUCTIONS

Product
7160-0351

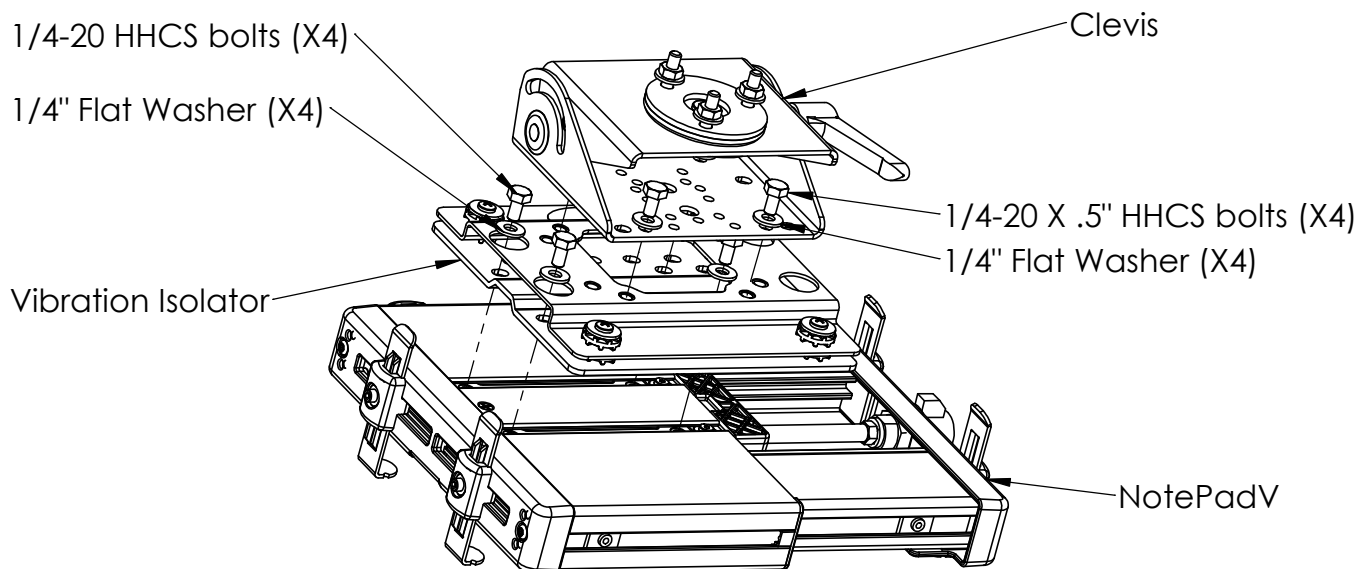
Revision
Rev.B

Form
INST-536

ISOLATOR ASSEMBLY - RING & BUSHING

Printing Spec:PS-001

The 7160-0351 isolator assembly is a shock and vibration isolator designed for use with the NotePadV and other Gamber Johnson products that have Vesa 75mm X 75mm or standard 2" x 4.093" hole pattern. It is designed to mount on top of Gamber Johnson motion attachments (DS-Clevis, QUAD-MOTION-TS3, MONGOOSE, LOWSWIVEL, etc.).



Attaching the Isolator Assembly to a NotePadV:

1. Align the center of mass of the computer and cradle over the middle of the vibration isolator.
2. Secure the isolator top plate to the cradle with the 1/4-20 unc bolts and washer supplied with the cradle.
3. Secure the clevis to the bottom isolator plate using the 1/4-20unc X 1/2" long hex bolts and flat washers found in the hardware bag.

NOTE:

If the bolts could not be reached to desired slot locations, please disassemble the isolator assembly (shown in next page), attach the top half to cradle and bottom half to the clevis and assemble the isolator halves back.

Product Mounting Disclaimer

Gamber-Johnson is not liable under any theory of contract or tort law for any loss, damage, personal injury, special, incidental or consequential damages for personal injury or other damage of any nature arising directly or indirectly as a result of the improper installation or use of its products in vehicle or any other application. In order to safely install and use Gamber-Johnson products full consideration of vehicle occupants, vehicle systems (i.e., the location of fuel lines, brakes lines, electrical, drive train or other systems), air-bags and other safety equipment is required. Gamber-Johnson specifically disclaims any responsibility for the improper use or installation of its products not consistent with the original vehicle manufactures specifications and recommendations, Gamber-Johnson product instruction sheets, or workmanship standards as endorsed through the Gamber-Johnson Certified Installer Program.

© copyright 2011 Gamber-Johnson, LLC

If you need assistance or have questions, call Gamber-Johnson at 1-800-456-6868

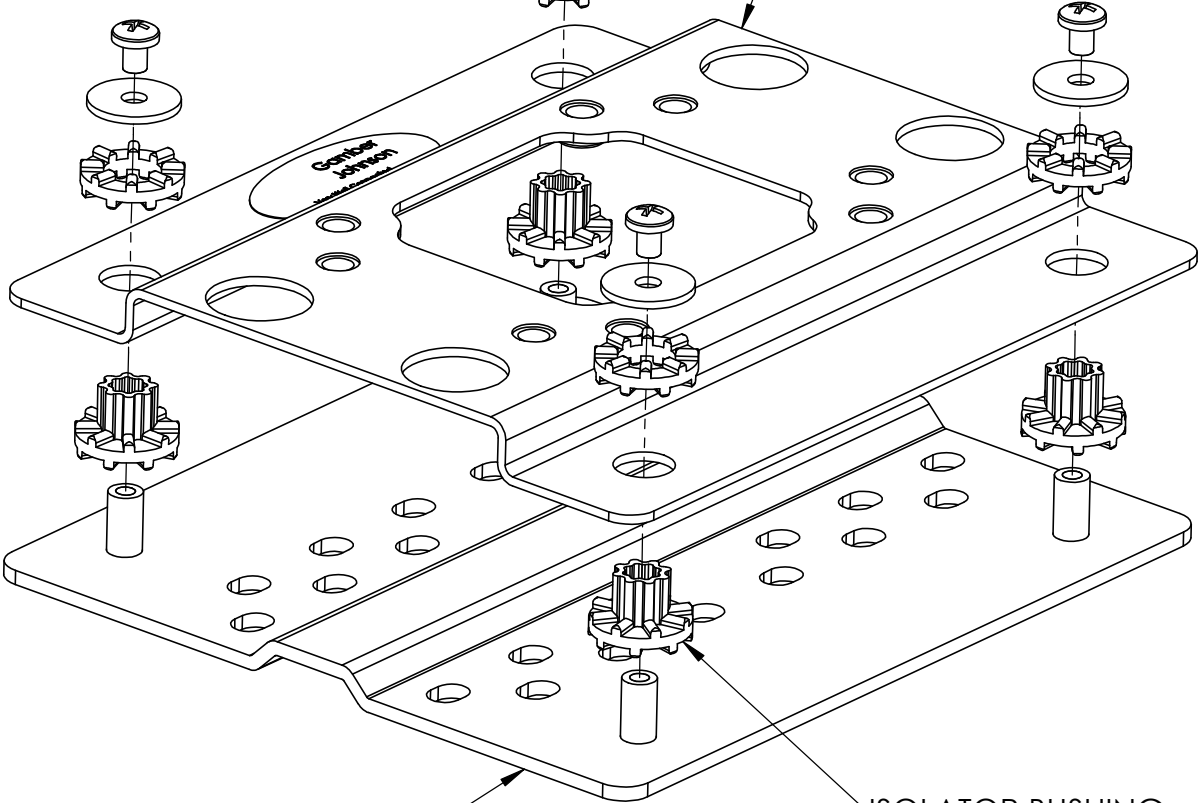
Exploded view of Isolator Assembly (Shown upside down for clarity)

#10-32UNF X .25"
PHILLIPS PAN HEAD SCREW

WASHER

ISOLATOR RING

ISOLATOR BOTTOM PLATE



ISOLATOR TOP PLATE

ISOLATOR BUSHING

INSTALLATION INSTRUCTIONS

<u>Product</u>	<u>Revision</u>	<u>Form</u>
Notepad™V-LT Universal Cradle & Accessories	Rev. C	INST-562
7160-0402 Notepad™V-LT Universal Cradle w/Standard Side Clips		
7160-0402-01 Notepad™V-LT Universal Cradle w/Zero Edge Side Clips		
7160-0402-02 Notepad™V-LT Universal Cradle custom		
7160-0402-03 Notepad™V-LT Universal Cradle with CAM clips		
7160-0251 Screen Support Assembly		
7160-0252 LED Light Assembly		
7160-0253 Mic Clip Assembly		
		Printing Spec: PS-001

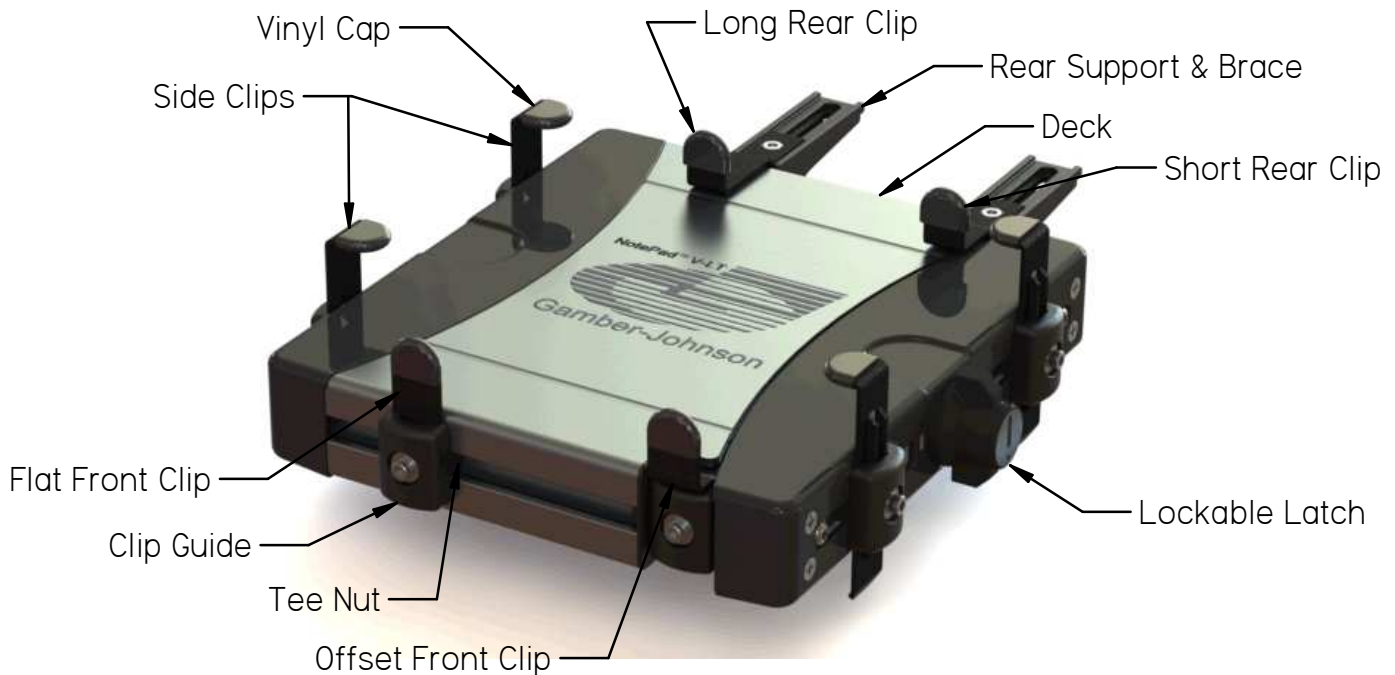
Notepad™V-LT Universal Computer Mount 7160-0402 will accommodate computers 8.2" to 11.8" in width, 7.58" to 9.3" in depth and up to 1.50" thick.

The Notepad™V-LT hold-down clips and key lock are designed to securely hold the laptop in the mount and deter theft, not prevent it.

Gamber-Johnson recommends taking your laptop out of the vehicle when not in use.

9/64" Hex (Allen) wrench is needed to adjust clip location and position. 7/16" Wrench or Socket is needed to attach Notepad™V-LT to Gamber-Johnson Motion Attachments.

#2 Phillips screwdriver and a 9/64" Hex (Allen) wrench are needed to mount accessories.



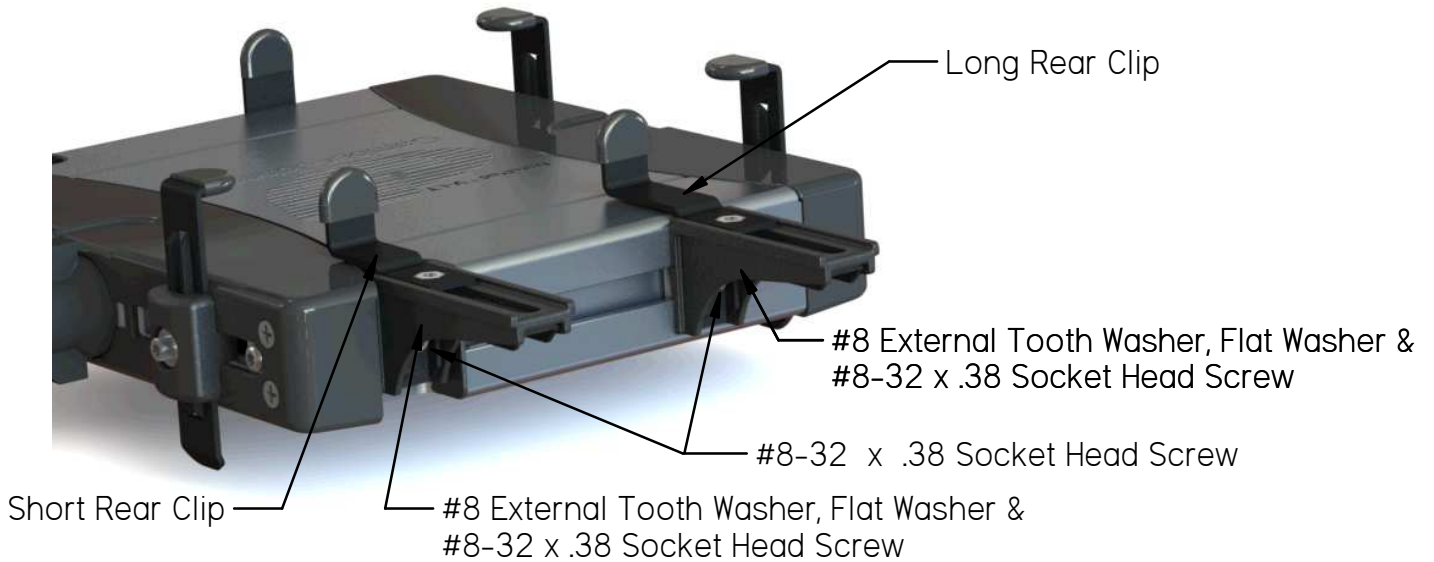
Product Mounting Disclaimer

Gamber-Johnson is not liable under any theory of contract or tort law for any loss, damage, personal injury, special, incidental or consequential damages for personal injury or other damage of any nature arising directly or indirectly as a result of the improper installation or use of its products in vehicle or any other application. In order to safely install and use Gamber-Johnson products full consideration of vehicle occupants, vehicle systems (i.e., the location of fuel lines, brakes lines, electrical, drive train or other systems), air-bags and other safety equipment is required. Gamber-Johnson specifically disclaims any responsibility for the improper use or installation of its products not consistent with the original vehicle manufacturer's specifications and recommendations, Gamber-Johnson product instruction sheets, or workmanship standards as endorsed through the Gamber-Johnson Certified Installer Program.

© copyright 2011 Gamber-Johnson, LLC

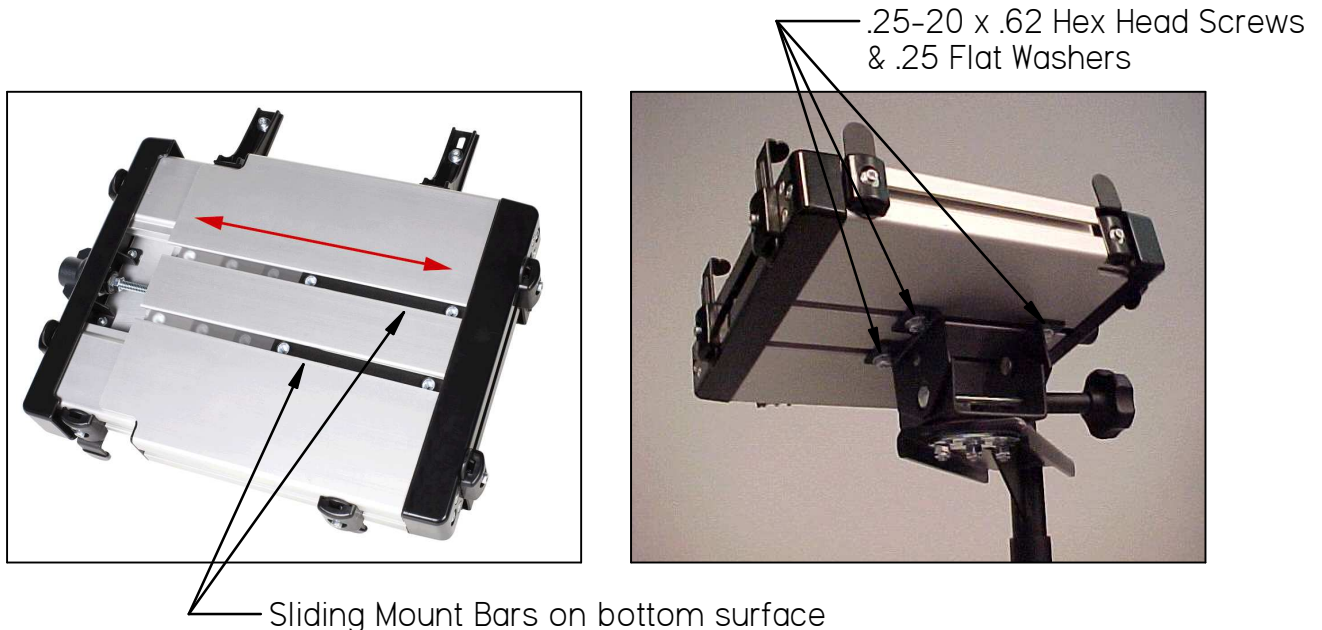
Rear Support Assembly

Two Rear Support Clips must be assembled at the time of installation. Attach each Rear Support & Brace to Tee Nut located in channel on back edge of Notepad™V-LT using a #8-32 x .38 Socket Head Screw. Attach the Long Rear Clip and Short Rear Clip to appropriate Rear Support & Brace with a #8 external tooth washer, Flat Washer and a #8-32 x .38 Socket Head Screw.



Vehicle Mounting

The Notepad™V-LT Universal Cradle is designed to be used with Gamber-Johnson motion attachments, poles and vehicle bases. The Sliding Mount Bar feature allows side-to-side adjustment of cradle to desired mounting position. Four .25 Flat Washers and .25-20 x .62 long Hex Head Screws are supplied in the hardware bag to secure motion attachments to the bottom side of the cradle.



Adjusting Notepad™V-LT for computer

If the latch on Notepad™V-LT is locked, unlock the unit with the supplied keys. All Notepad™V-LT's are keyed alike. Unlatch by turning the lock body clockwise 90 degrees.

Pull the lock side of the Notepad™V-LT to the right to open the deck.

Loosen adjustment screws securing front clips, rear clips and side clips enough to raise them and move them in the slots.

Eight Vinyl Caps are included in hardware bag to place over clips to protect computer if needed.

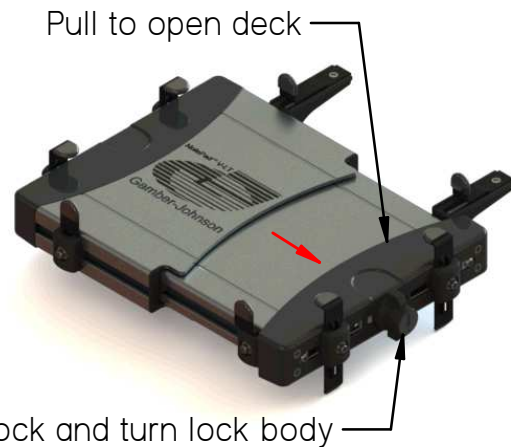
Place the computer on the Notepad™V-LT deck. Slide the computer tight against the Front Clips. The Front Clips can be adjusted side-to-side and also have a slight amount of vertical adjustment. The Flat and Offset clips may also swap positions, with the offset clip overlapping the fixed deck to accommodate shorter depth computers.

Slide the computer against the Side Clips on the fixed deck. Adjust the Side Clips side-to-side to avoid any needed ports and lower them so the tab will just clear the top of the computer and tighten. A snug fit is preferred.

Push the right side of the Notepad™V-LT in until the right Side Clips touch the computer. Adjust the right Side Clips in the same manner as the left side.

After pushing the unit together, (compressing the computer between the side clips) turn the lock body 90 degrees counter-clockwise to secure the unit.

Adjust the Rear Supports side-to-side and tighten.
Adjust the Rear Clips to prevent the computer from moving back and tighten.



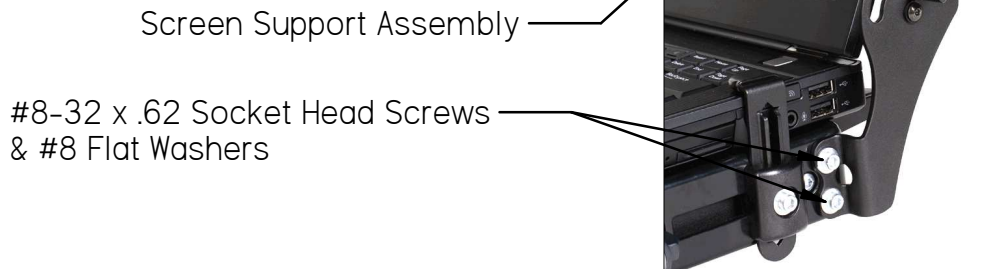
Notepad™V-LT Accessories

7160-0251 Screen Support Assembly

The Screen Support Assembly can only be attached to the right side on Notepad™V-LT.

Remove the two Phillips Flat Head Screws found at the back right side corner.

Place Screen Support Assembly over the holes and attach using two #8-32 x .62 Socket Head Screws and two #8 Flat Washers.



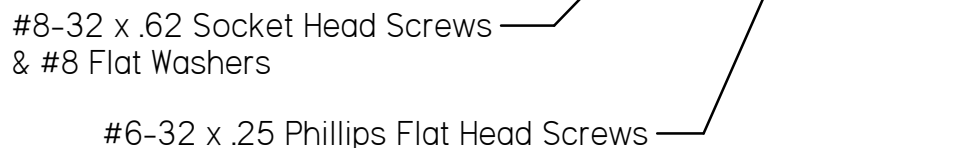
7160-0253 Mic Clip Assembly

The Mic Clip Assembly can be mounted on any corner of the Notepad™V-LT that does not have another accessory mounted.

Remove the two Phillips Flat Head Screws found on the corner.

Place the Mic Clip Bracket over the holes and attach using two #8-32 x .62 Socket Head Screws and two #8 Flat Washers.

Attach the Mic Clip using two #6-32 x .25 Phillips Flat Head Screws



Notepad™V-LT Accessories Cont.

7160-0252 LED Light Assembly

The LED Light Assembly can be mounted on any corner of the Notepad™V-LT. Remove the two Phillips Flat Head Screws found on the corner. Place the LED Light Assembly over the holes and attach using two #8-32 x .62 Socket Head Screws and two #8 Flat Washers.

LED Light Assembly



#8-32 x .62 Socket Head Screws
& #8 Flat Washers

The LED is powered using the red and black wires on the light base. The LED Assembly is designed to operate on 12 VDC.

In a negative ground vehicle:
Connect the RED wire to the positive pole of the vehicle battery or power distribution box. It is recommended that a user-supplied fuse holder and 1 amp fuse be installed on the red wire. Connect the BLACK wire to a suitable chassis GROUND or the NEGATIVE pole of the battery.

Turn on the LED by pressing the Activation Button on the head on the LED Assembly.

The LED has three light options: White, Red and White/Red. Press the Activation Button to toggle thru the options.

Hold the Activation Button down for approximately one second to turn the LED off.



Activation Button



Very Well Connected™

INSTALLATION INSTRUCTIONS

Product

7160-0539

Lind Power Supply Mount Assembly

Revision

Rev.A

Form

INST-652

Printing Spec: PS-001

Installing the power supply:

1. Remove all (4) nuts from Power Supply Mount.
2. Take plate (15241) off.
3. Slide power supply under plate (15241).
4. Reattach plate (15241) back to rest of Power Supply Mount and tighten down the #8-32 nuts

Mounting the bracket to a dock:

1. Rotate the power supply mount how it is shown in Figure1 (your dock may vary), using the hardware with the supplied dock,
2. Tighten down the hardware.



Figure 1



Figure 2

Product Mounting Disclaimer

Gamber-Johnson is not liable under any theory of contract or tort law for any loss, damage, personal injury, special, incidental or consequential damages for personal injury or other damage of any nature arising directly or indirectly as a result of the improper installation or use of its products in vehicle or any other application. In order to safely install and use Gamber-Johnson products full consideration of vehicle occupants, vehicle systems (i.e., the location of fuel lines, brakes lines, electrical, drive train or other systems), air-bags and other safety equipment is required. Gamber-Johnson specifically disclaims any responsibility for the improper use or installation of its products not consistent with the original vehicle manufactures specifications and recommendations, Gamber-Johnson product instruction sheets, or workmanship standards as endorsed through the Gamber-Johnson Certified Installer Program.

© Copyright 2013 Gamber-Johnson, LLC

If you need assistance or have questions, call Gamber-Johnson at 1-800-456-6868