



INSTALLATION INSTRUCTIONS

Product

7160-1694

HONEYWELL GRANIT CRADLE ADAPTER

Revision

Rev A

Form

INST-1058

Printing Spec: PS-001

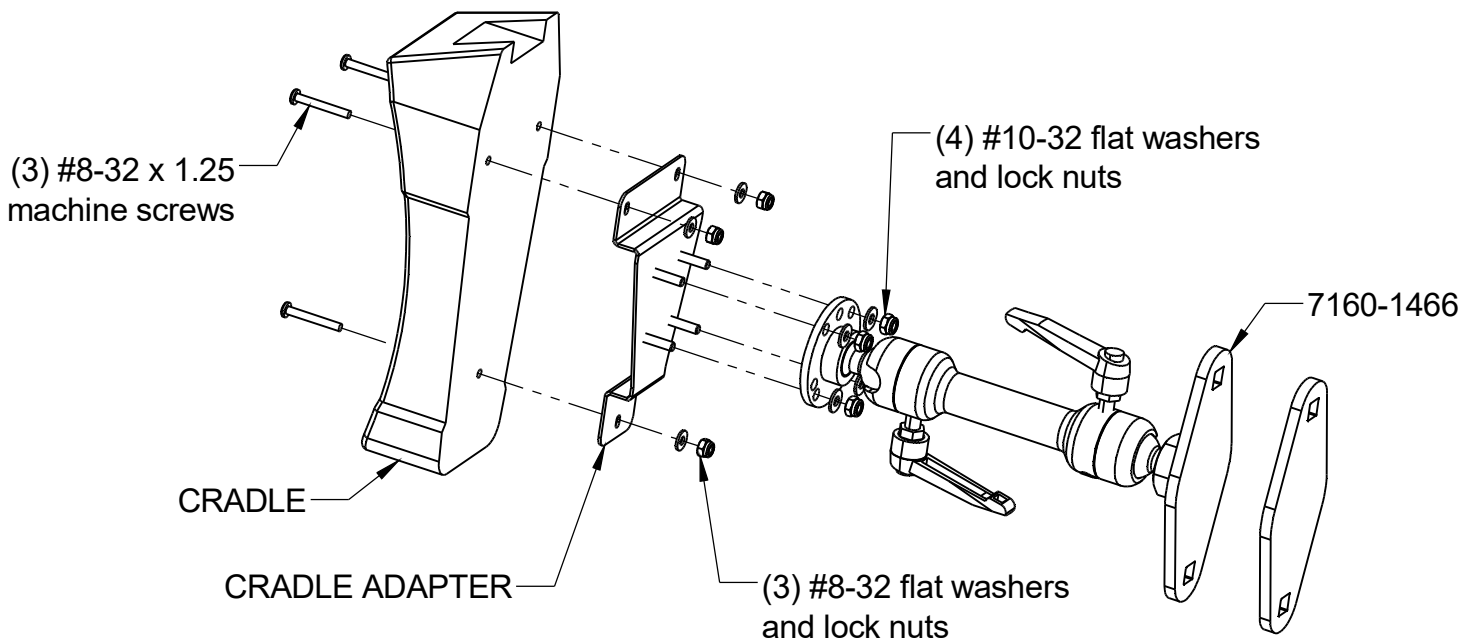
This instruction sheet is for the (7160-1694) Honeywell Granit cradle adapter only. For information on the Honeywell Granit cradle or corresponding scanner see the manuals supplied with the Honeywell products.

Attaching the cradle adapter to the cradle:

1. Attach the cradle adapter as shown below with the (3) #8-32 x 1.25 machine screws, flat washers and nylock nuts supplied in hardware bag 7120-1001.

Attaching the cradle to a motion attachment:

1. The cradle (with cradle adapter attached) can now be mounted to a motion attachment like a Gamber-Johnson 7160-1466 or other type of motion attachment with the AMPs hole pattern.
2. Attach the cradle adapter to the motion attachment with the (4) #10-32 flat washers and lock nuts provided in hardware bag 7120-1001.



Product Mounting Disclaimer

Gamber-Johnson is not liable under any theory of contract or tort law for any loss, damage, personal injury, special, incidental or consequential damages for personal injury or other damage of any nature arising directly or indirectly as a result of the improper installation or use of its products in vehicle or any other application. In order to safely install and use Gamber-Johnson products full consideration of vehicle occupants, vehicle systems (i.e., the location of fuel lines, brake lines, electrical, drive train or other systems), air-bags and other safety equipment is required. Gamber-Johnson specifically disclaims any responsibility for the improper use or installation of its products not consistent with original vehicle manufactures specifications and recommendations, Gamber-Johnson product instruction sheets, or workmanship standards as endorsed through the Gamber-Johnson Certified Installer Program.

© Copyright 2021 Gamber-Johnson, LLC

If you need assistance or have questions, call Gamber-Johnson at 1-800-456-6868